



Marking Products



Tools and Accessories

# Line Master

## Line Marking Machine

### Features & Benefits

- Ergonomic design with built-in side line attachment
- Heavy duty steel construction
- Lightweight, removable handle for spot marking
- Easy to transport
- Includes utility tray and storage for up to 5 cans of Dy-Mark's Line Marking Paint and Turf Master Paint
- Line width adjustable between approximately 60mm and 100m



Line Master

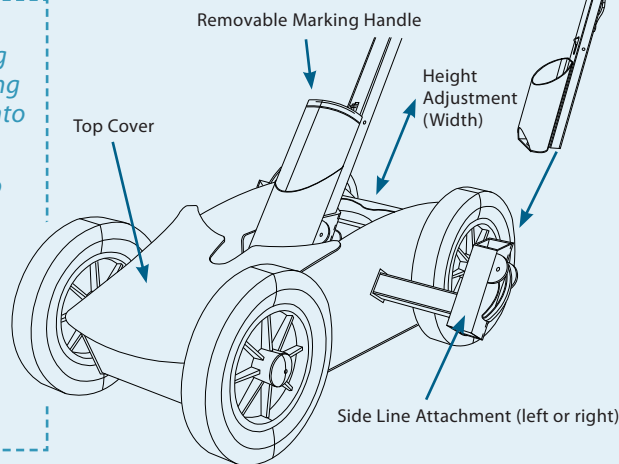
Ref. Code

Line Master Line Marking Machine

41800203

### Tips:

- > Do not overtighten locking mechanism when unfolding the handle and latching into place
- > Use the masking wheels to sharpen line edges
- > To mark lines close to walls or machinery, insert the Spot Marking Handle into the Side Line Attachment and lock into place



Line Marking Paint Turf Master Paint

Dy-Mark's Line Master Machine is designed to be used with Line Marking Paint and Turf Master Paint.

NATIONAL SALES & ENQUIRIES

Ph: 1300 396 275 • Fax: 1300 360 440 • E-mail: sales@dymark.com.au • Web: www.dymark.com.au

