

ATOM

LINE MARKER

INSTRUCTION MANUAL & SPARE PARTS LIST



turfmate

e sales@turfmate.com.au • w turfmate.com.au • t 1300 184 400

ATOM – INSTRUCTIONS FOR USE

- **New battery may be partially charged, fully charge before use**
 - **Ensure spray switch connected inside control box**
 - **Ensure handle secure at chosen height**
1. Ensure power turned off on both pump isolator switch (on control panel) and spray switch (on handle bar). Also ensure that the gun spray lever is in the closed position.
 2. Place 10L 'ready-mix' paint container directly on to the Atom – using only BOWCOM Atomic or Quantum paint.
 3. Replace the paint pail lid, with the holed / clipped lid attached to the Atom.
 4. Ensure that the clip / lock hose above the spray gun is attached to the 'waste' bottle.
 5. Fill cleaning bottle with tap water.
 6. Ensure 'speed-bleed' direction tap (above spray gun) is in the side-ways position (lock-off).
 7. The machine is now ready to prime.
 8. Set the spray limit discs to the required line width. Ensure that the spray gun is set high enough for the paint spray to hit the spray discs.
 9. Turn on the pump isolator switch (located on control panel) – observe the volt meter reading (12 volts). If too low, place battery on charge.
 10. To activate pump, use the spray switch located on the handle bar.
 11. To prime the pump: (with the pump activated). Slowly turn the 'speed-bleed' knob to the up-wards position, this will draw through the water & turn to paint in a couple of seconds, depositing the surplus mix into the 'waste' bottle. When paint appears in 'waste' bottle, turn the 'speed-bleed' knob back to central position 'lock-off'.
 12. Switch off the pump spray switch on handle bars. Turn the 'speed-bleed' knob to downwards position. The ATOM is now ready to paint a line.
 13. Re-activate the handle-bar spray switch. Then use the handle-bar spray lever to open & close the spray gun for instant start / stop technology.
 14. NB: When not marking a line for prolonged period, de-activate the pump by turning off the handle-bar spray switch.
 15. Atom Cleaning: Following completion of line-marking, switch off pump. Un-clip the paint suction tube coupling & place onto the 'water' bottle lid.

16. For full cleaning process: Repeat steps 6 – 12 above. (Paint surplus can be either sprayed on to grass area or deposited into waste bottle (empty out intermittently).
17. Additional periodic cleaning: From time to time clean the ATOM using tap water drawn from a 10L empty (clean) paint container. This ensures cleanliness of suction tube & filter.
18. Nozzle cleaning: Following ATOM cleaning always remove & clean the 'top-hat' filter above the nozzle. Ensure clean & clear water is seen spraying from the nozzle. For additional nozzle cleaning soak overnight using 'Bowcom Multi-flush solution', preferably in an 'ultra-sonic' cleaning bath.
19. NB. If using a part-used pail of 'Atom' or 'Quantum' paint, shake well before use.
20. Battery Charger: Use Battery Charger provided. Place 3-pin plug into 240 volt mains socket. Plug other end (12 volt) into trailing socket inside the ATOM Control Box (connector fits only one way). A full charge will take up to 10 hours. Full battery should operate pump for several days (dependent on use).

Technical Information:

Paint tank capacity. 10L
Water bottle capacity 0.5L
Weight - Dry, No tank 22kg

ATOM - PARTS LIST

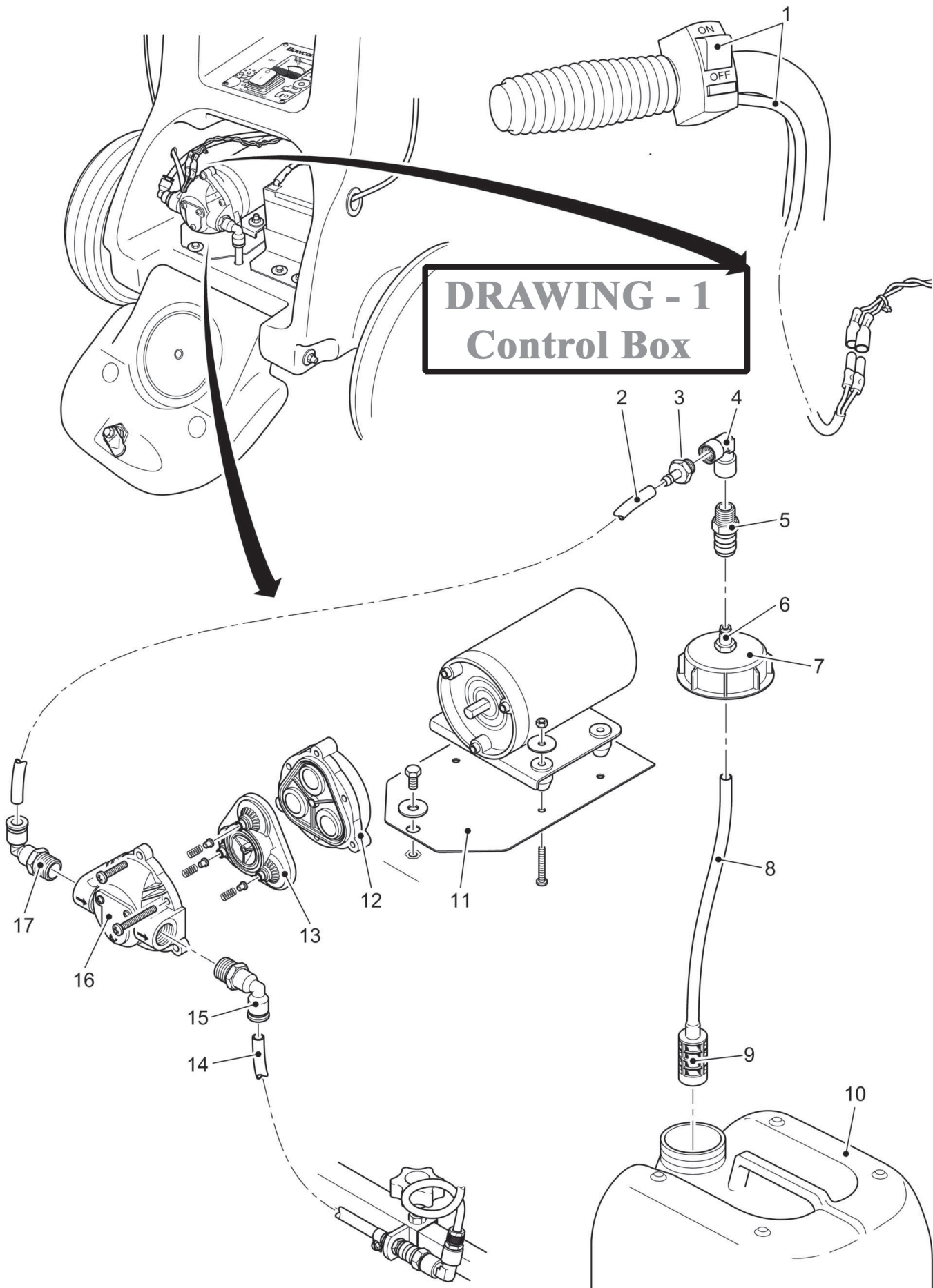
Part No.	Description
Metal Work	
1056XA	Handle
1049XA	Chassis Tube (left) c/w hose clip fixing
1050XA	Chassis Tube (right)
1002X	Inner chassis extension tube
1004X	Gun Holder
1042XA	Gun Top
81G	Spray Gun
1045XA	Spray arm bracket (L or R)
1044XA	Spray arm
1043XA	Spray disc
Plastics	
1047XA	Atom Body
1048XA	Control box door
	Water / waste bottle
1020X	Paint tank lid c/w male coupler
Pump & Electrics	
272M	Pump Complete
987M	Pump Diaphragm
509M	Battery
510M	Battery Charger
992X	Battery Gauge

ATOM - PARTS LIST CONTINUED

Part No.	Description
Switches	
984XA	Pump Isolator Switch
1032XA	Spray Switch (inc. cable & bullet connectors)
Filters	
991X	Paint Hose Filter
166ATM	Spray Housing Filter (top-hat)
Spray Gun	
278M	Spray cable
1017X	Speed-bleed tap
85GM	Union Nut
ZXS0020	Nozzle (brass /gold)
271M	Nozzle (white)
274M	Nozzle (blue)
Hoses	
986M	Clear PVC Hose
987X	Spray Coil (standard)
Other Components	
1014X	Wheel
24	M8 Star Wheel
1027X	Control Door Latch (complete)
Atom Spares Kit	
1054XA	Contains all commonly used parts

ATOM - CONTROL BOX

Item No.	Part No.	Description
1	1032XA	Spray Switch (inc. cable & bullet connectors)
2	986M	Clear Hose
3	1021X	Hose Tail
4	1023X	Elbow
5	1019X	Female Coupler
6	1020X	Male Coupler
7	-	Holed Lid
8	986M	Clear Hose
9	991X	Tank Filter
10	-	Empty Paint Pail
11	1051XA	Pump Mounting Plate
12	984X	Pump Diaphragm Drive
13	987M	Pump Diaphragm
14	986M	Clear Hose
15	985M	Quick Release Elbow
16	983X	Pump Upper Housing
17	985M	Quick Release Elbow

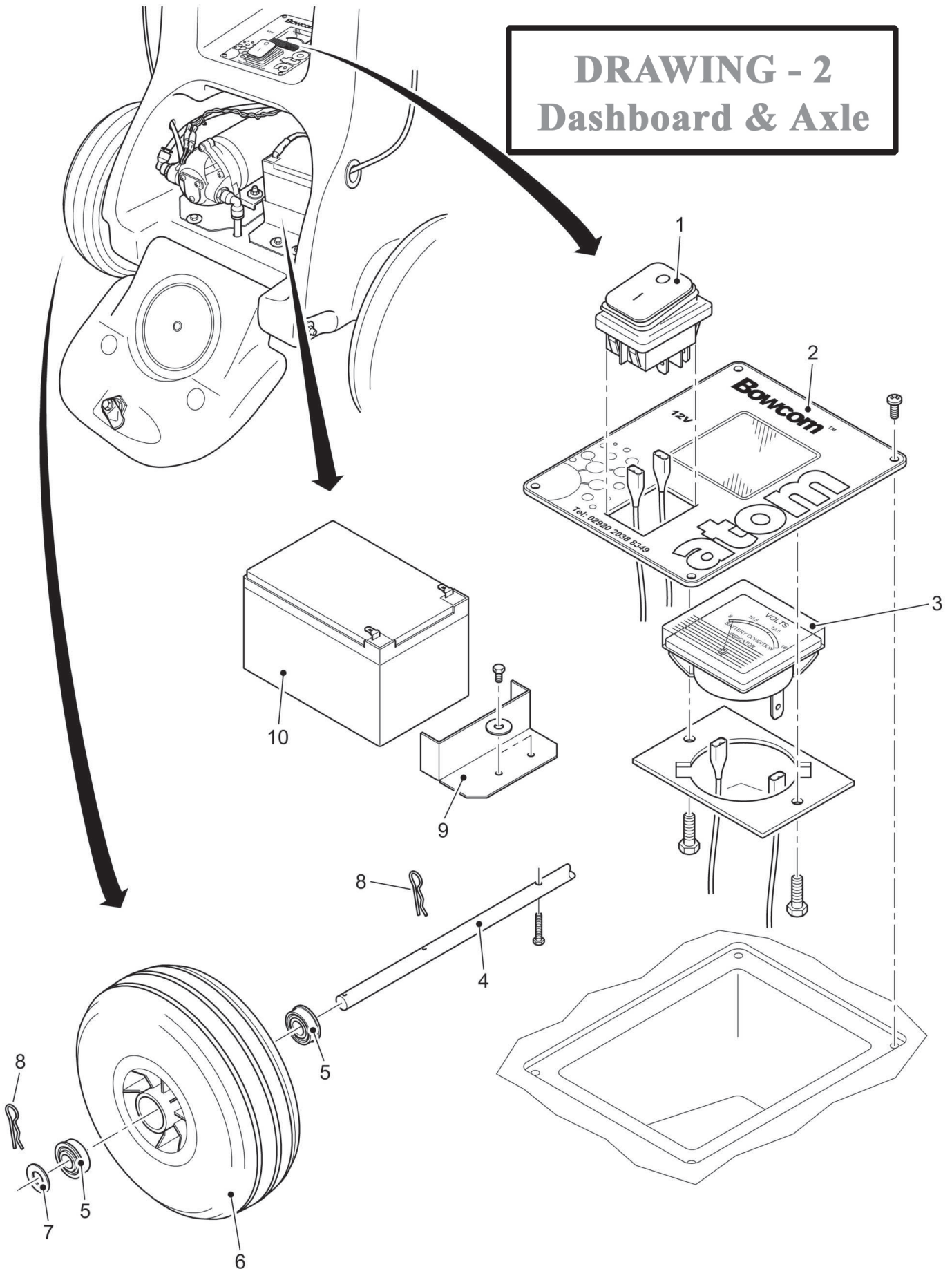


DRAWING - 1
Control Box

ATOM - DASHBOARD & AXLE

Item No.	Part No.	Description
1	984XA	Pump Isolator Switch
2	1041XA	Dashboard (inc. Gauge Plate)
3	992X	Battery Gauge
4	1046XA	Axle
5	1014XB	Wheel Bearing
6	1014X	Wheel (inc. tyre)
7	-	Wheel Washer
8	-	R-Clip
9	1052XA	Battery Clamp
10	509M	Battery

DRAWING - 2 Dashboard & Axle



ATOM - DASHBOARD & AXLE

Item No.	Part No.	Description
1	8GB	Rubber Handle-Bar Grip
2	7GB	Spray Control Lever
3	11	Split-Trunnion (Secures Gun Cable)
4	278M	Gun Cable
5	1017X	Speed-Bleed Direction Tap
6	1021X	Hose Tail
7	986M	Clear Hose
8	1022X	Spray Hose End
9	987X	Spray Hose Coil
10	93	Gun Cable Securing Screw
11	31	Gun Cable Adjuster
12	1042XA	Gun Top
13	988X	Gun Top Reducer
14	81G	Spray Gun
15	166ATM	Top Hat Filter (Fine)
16	271M	Hollow Cone Nozzle (White)
17	85	Union Nut
18	1049XA	Chassis Box Tube (Left Hand)
19	24	M8 Star Wheel
20	1022X	Spray Hose End
21	1023X	Elbow
22	1055XA	Inner Chassis Box Tube
23	986M	Clear Hose
24	-	Mini-Jubilee Clip
25	1020X	Male Coupler
26	1019X	Female Coupler
27	1045XA	Spray Disc Arm Bracket (Left Hand)
28	1044XA	Spray Disc Arm
29	1043XA	Spray Disc
30	1004X	Gun Holder
31	1045XA	Spray Disc Arm Bracket (Right Hand)
32	1001XA	Spray Bar
33	1050XA	Chassis Box Tube (Right Hand)
34	-	Clean Water Bottle
35	-	Waste Water Bottle

DRAWING - 3

Spray Assembly

