



# **DECLINE CHESS PRESS**

Model 902PLDP

**+ Owner's Manual**

V 1.0 - 03.2016

[www.tkostrength.com](http://www.tkostrength.com)

THIS PAGE INTENTIONALLY LEFT BLANK

# Safety

Read this owner's manual carefully before assembling or using TKO equipment.

*WARNING: Serious injury could occur if these safety precautions are not observed*

## *Safety Precautions*

- Before beginning any exercise program, consult your personal physician. Evaluate your present fitness level and determine the exercise program that is most appropriate for your particular age and condition.
- If you experience any pain or tightness in your chest, irregular heartbeats, shortness or breath, faintness or other unusual discomfort while exercising, stop and consult your physician before continuing.
- Make sure that the equipment(s) are set up and operated on a solid level surface. DO NOT install or use the equipment on an uneven surface.
- Exercise equipment has moving parts. In the interest of safety, keep others, especially children, at a safe distance while exercising.
- Make sure there are enough room for access and operate the equipment(s) safely.
- inspect and maintain the equipment(s) regularly.
- Replace the worn or damaged parts / components immediately to ensure safety.
- Use a spotter.
- Back support cushion may drop when knob is pulled. Hold the back support cushion when adjusting it.
- Make sure the pull pin is fully engaged before use.
- Lower the back support cushion to the lowest position when not in use.
- Warm up 5 to 10 minutes before each workout and cool down 5 to 10 minutes afterward. Never hold your breath while exercising.
- Remove all jewelry, including rings, chains and pins before commencing exercise.
- Always wear suitable clothing and footwear during exercise. DO NOT wear loose fitting clothing that could become entangled with the moving parts of your exercise machine.
- Rest adequately between workouts. Muscles tone and develop during these rest periods.
- Most exercise equipment is not recommended for small children. Children should not use the machine unless they are under adult supervision.

If you have any question or need assistance please contact us at,

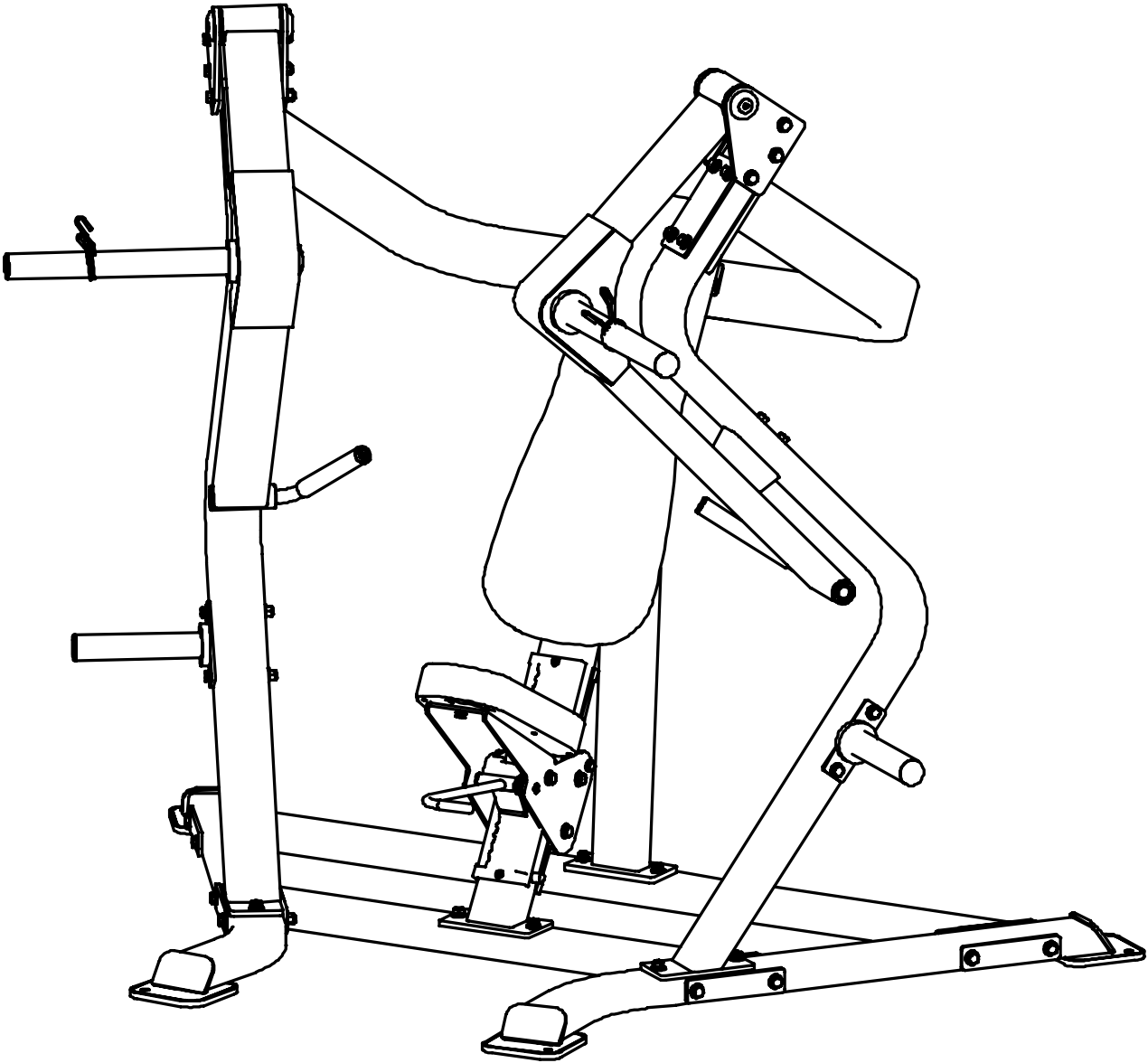
Customer Service: 866-856-3488 or 713-895-9270

e mail: [sales@tkostrength.com](mailto:sales@tkostrength.com)

Hours: Monday-Friday 8:30am to 4:30pm CT

© Copyright 2016, TKO Strength & Performance Inc. All rights reserved.  
TKO Strength & Performance Inc. 4600 Pine Timbers, Suite 198, Houston, TX 77041  
Phone + 713-895-9270 Fax + 713-934-8495  
[www.tkostrength.com](http://www.tkostrength.com)

# + Product Diagram

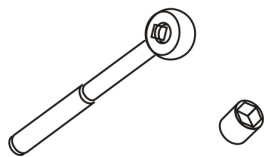


## + Instructions

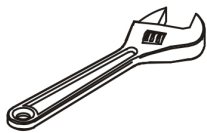
Before beginning assembly please take the time to read instructions thoroughly. Please use the various lists in this manual to make sure that all parts have been included in your shipment. When ordering, use part number and description from the lists. Use only our replacement part when servicing. Failure to do so will void your warranty and could result in personal injury.

The equipment is designed to provide the smoothest, most effective exercise motion possible. After assembly, you should check all functions to ensure correct operation. If you experience problems, first recheck the assembly instructions to locate any possible errors made during assembly. If you are unable to correct the problem, call your authorized dealer. Be sure to have your serial number and this manual when calling. When all parts have been accounted for, continue on.

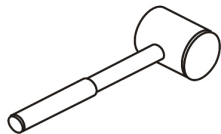
## + Tools Required



Ratchet Wrench and Socket



Adjustable Wrench



Rubber Mallet

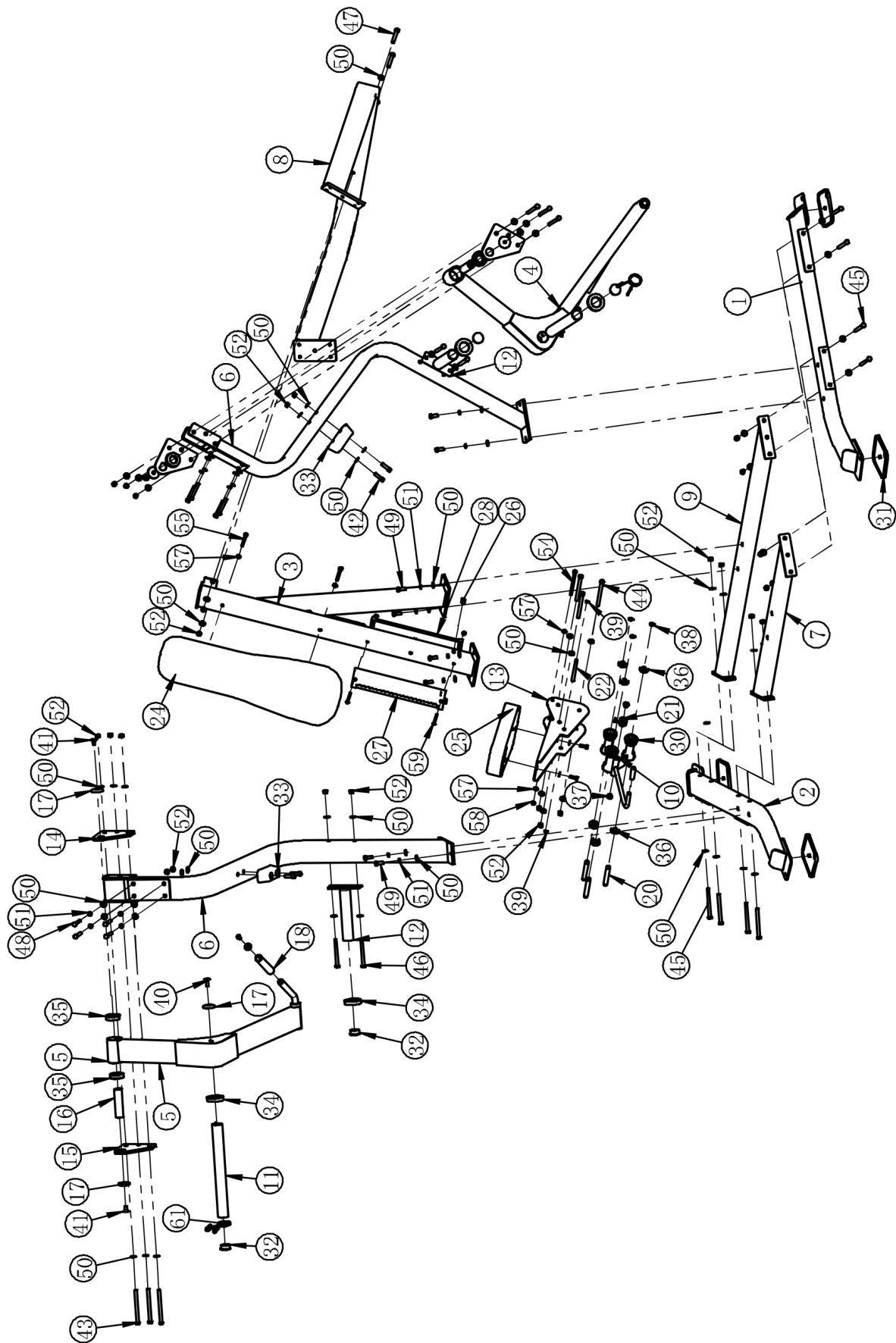


Hex Key Wrench Set

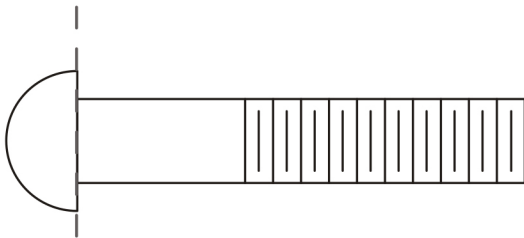
# ✚ Exploded Diagram

ITEM NO.	Description	QTY	ITEM NO.	Description	QTY
1	Left Bottom Frame	1	32	Plug $\phi 48$	4
2	Right Bottom Frame	1	33	Bumper	2
3	Back Pad Frame	1	34	Spacer	4
4	Left Arm Frame	1	35	Flange bearing	4
5	Right Arm Frame	1	36	Ball Bearing	6
6	Upright Frame	2	37	Bushing	2
7	Cross Frame	1	38	External Retaining Ring $\phi 17$	5
8	Support Frame	1	39	External Retaining Ring $\phi 12$	2
9	Rear Cross Frame	1	40	Socket Head Cap Screw M12*40	4
10	Adjustable Handle	1	41	Hex Head Bolt M12*155	6
11	Weight Horn	2	42	Hex Head Bolt M12*145	3
12	Weight Storage	2	43	Hex Head Bolt M12*135	8
13	Seat Frame	1	44	Hex Head Bolt M12*125	4
14	Pivot Plate 1	2	45	Hex Head Bolt M12*80	2
15	Pivot Plate 2	2	46	Hex Head Bolt M12*75	8
16	Pivot Shaft	2	47	Hex Head Bolt M12*30	8
17	Aluminium Cap	6	48	Flat Washer $\phi 20 \times \phi 11 \times 2$	6
18	Aluminium Grip	2	49	Flat Washer $\phi 13 \times \phi 26 \times 2$	68
19	Extension Spring	1	50	Spring Washer	16
20	Wheel Shaft	3	51	Nylon lock Nut M12	27
21	Torsion Spring	1	52	Flat Head Cap Screw M10*25	2
22	Shaft For Adjustable Handle	1	53	Flat Head Cap Screw M12*25	4
23	Aluminium Cap	2	54	Flat Head Cap Screw M12*35	2
24	Back Pad	1	55	Hex Head Bolt M10*145	1
25	Seat Pad	1	56	Hex Head Bolt M10*75	2
26	Plastic Sleeve	2	57	Hex Head Bolt M10*30	2
27	Front Plastic Plate	1	58	Nylon lock Nut M10	1
28	Rear Plastic Plate	1	59	Button Head Cap Screw M8*65	2
29	Grip	1	60	Nylon lock Nut M8	2
30	Idler Wheel	3	61	Snap Spring	2
31	Rubber Foot	4			

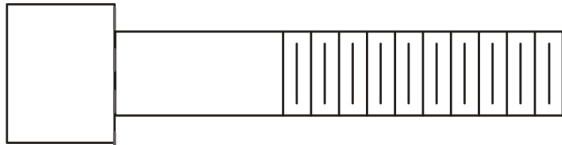
# ✚ Exploded Diagram (Pulley & Bracket)



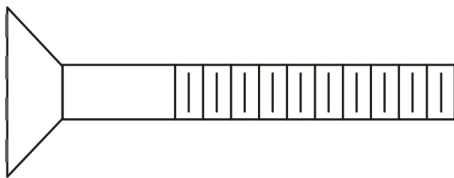
# ✚ Parts List



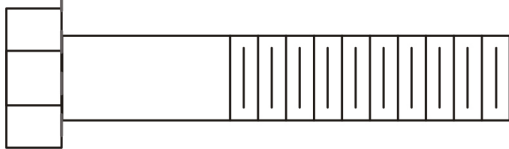
BHCS = Button Head Cap Screw



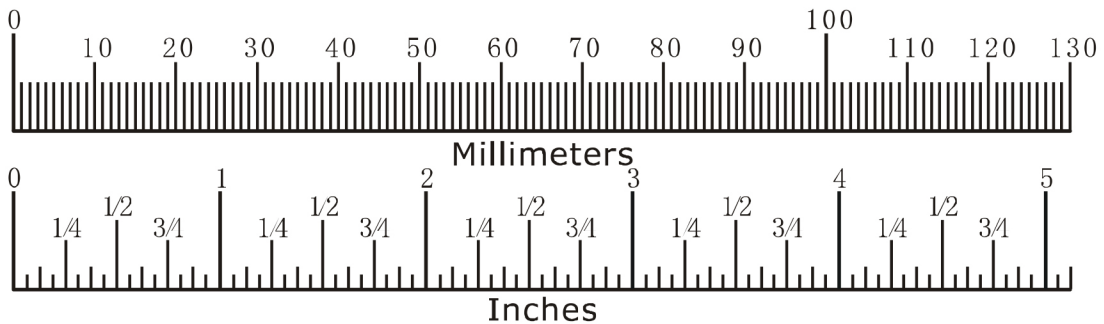
SHCS = Socket Head Cap Screw



FHCS = Flat Head Cap Screw



HHB = Hex Head Bolt



Diameter of bolt (mm/inch)	M6(1/4")	M8(5/16")	M10(3/8")	M12(1/2")	M16(5/8")
Tightening torque (N.m)	9~12	22~30	45~59	78~104	193~257
Operational methods for adult men	The strength of the wrist	The strength of the wrist and forearm	The strength of the entire arm	The strength of the arm and upper body	with all strength



## **+** Assembly Instruction

Assembly of the equipment takes professional installers about 2 hours. If this is the first time you have assembled this type of equipment, plan to spend more time. It is strongly recommended to assemble the equipment by professional installers. You may find it quicker, safer, easier to assemble this equipment with the help of a friend, as some of components may be large, heavy or awkward to handle alone. It is important that you assemble your product in a clean, clear, uncluttered area. This will enable you to move around the product while you are fitting components and reduce the possibility of injury during assembly.

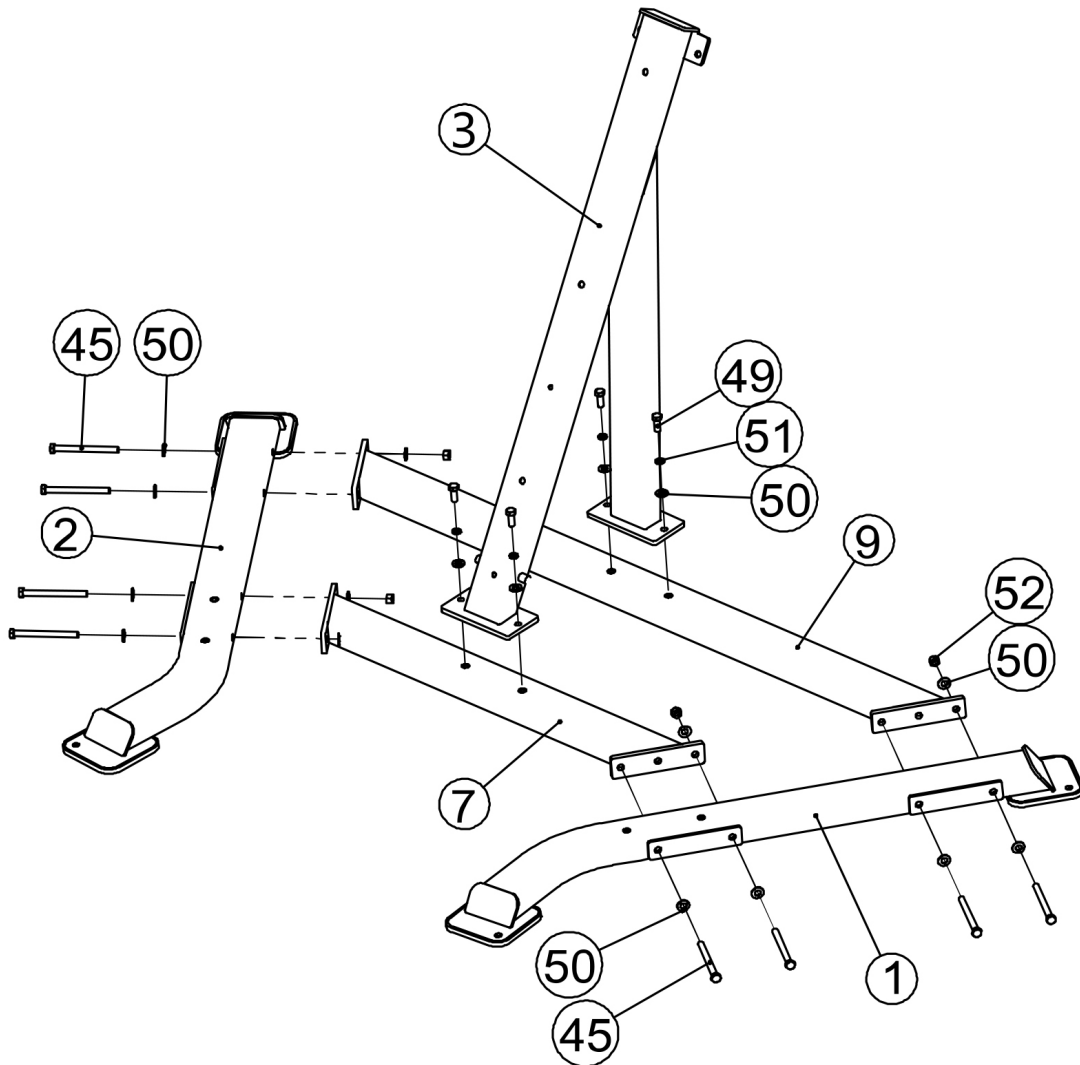
### **NOTE**

As with any assembled part, proper alignment and adjustment is critical. While tightening the fasteners, be sure to leave room for adjustments. Do not fully tighten the fasteners until instructed to do so. Be careful to assemble the components in the sequence presented in this guide.

# ✚ Assembly

## STEP 1

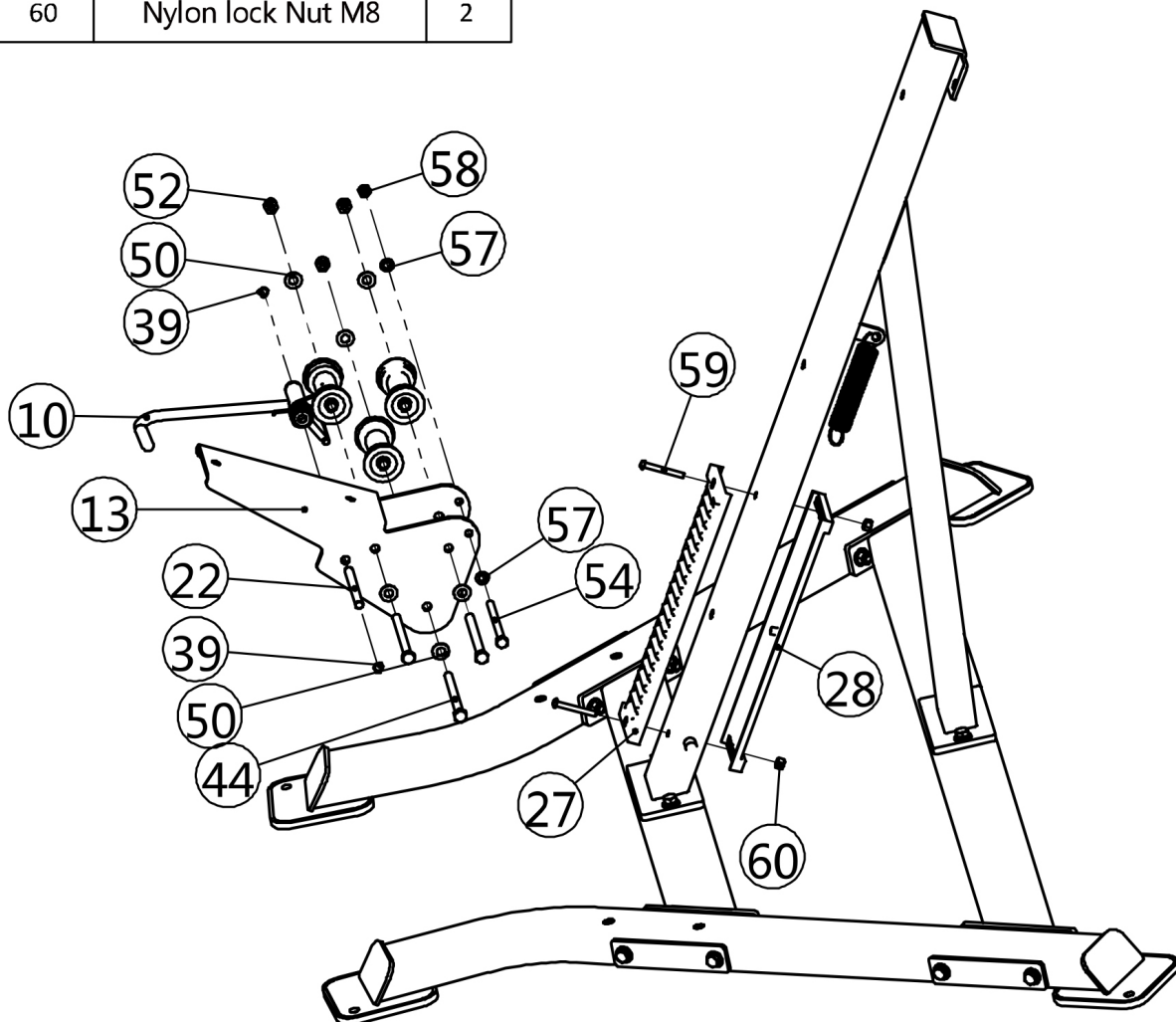
ITEM NO.	DESCRIPTION	QTY
1	Left Bottom Frame	1
2	Right Bottom Frame	1
3	Back Pad Frame	1
7	Cross Frame	1
9	Rear Cross Frame	1
45	Hex Head Bolt M12*80	8
49	Flat Washer $\phi 13 \times \phi 26 \times 2$	4
50	Spring Washer	20
51	Nylon lock Nut M12	4
52	Flat Head Cap Screw M10*25	4



# ✦ Assembly

## STEP 2

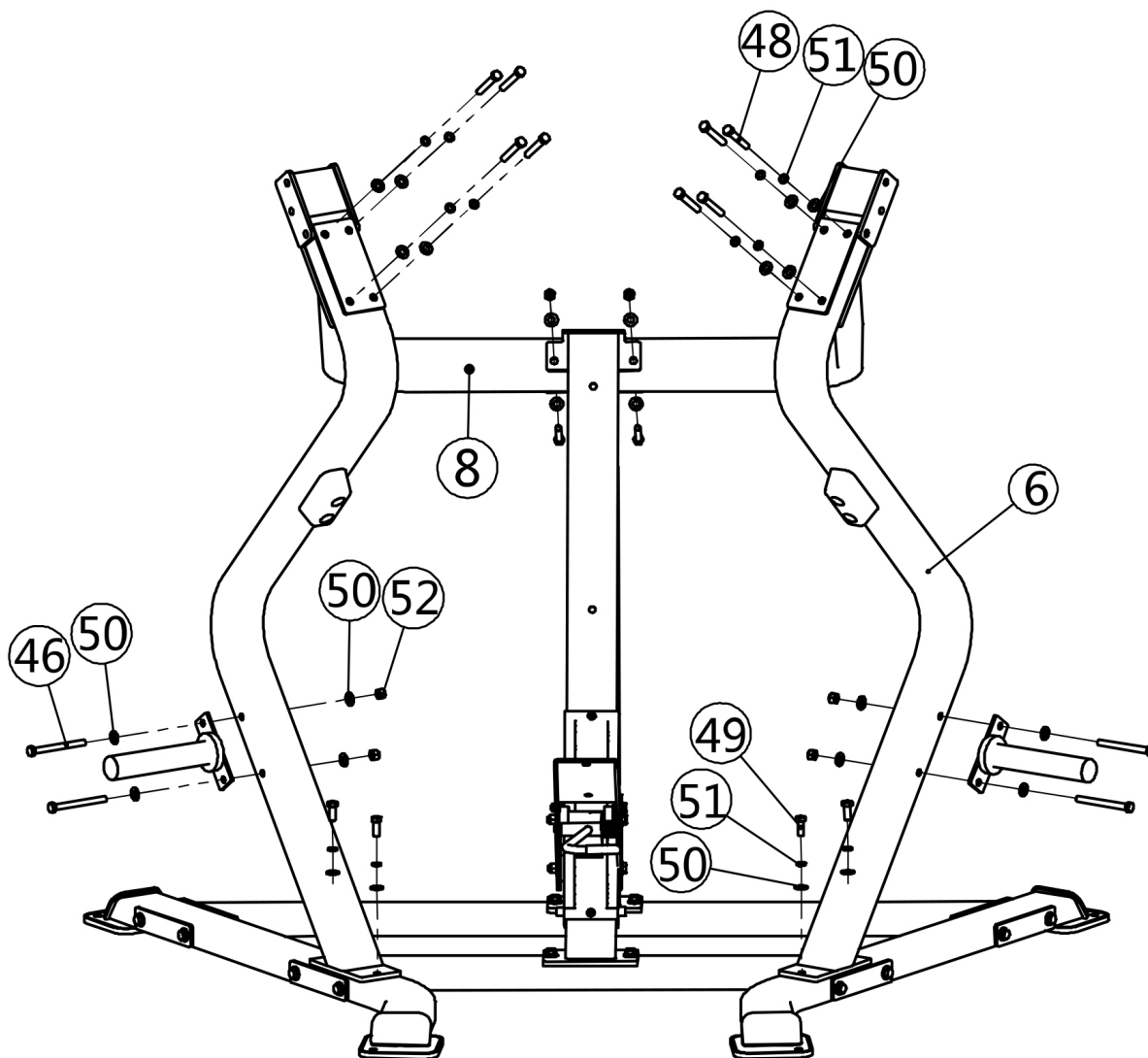
ITEM NO.	DESCRIPTION	QTY
10	Adjustable Handle	1
13	Seat Frame	1
22	Shaft For Adjustable Handle	1
27	Front Plastic Plate	1
28	Rear Plastic Plate	1
39	External Retaining Ring $\phi 12$	2
44	Hex Head Bolt M12*125	3
50	Spring Washer	6
52	Flat Head Cap Screw M10*25	3
54	Flat Head Cap Screw M12*35	1
57	Hex Head Bolt M10*30	2
58	Nylon lock Nut M10	1
59	Button Head Cap Screw M8*65	2
60	Nylon lock Nut M8	2



# ✚ Assembly

## STEP 3

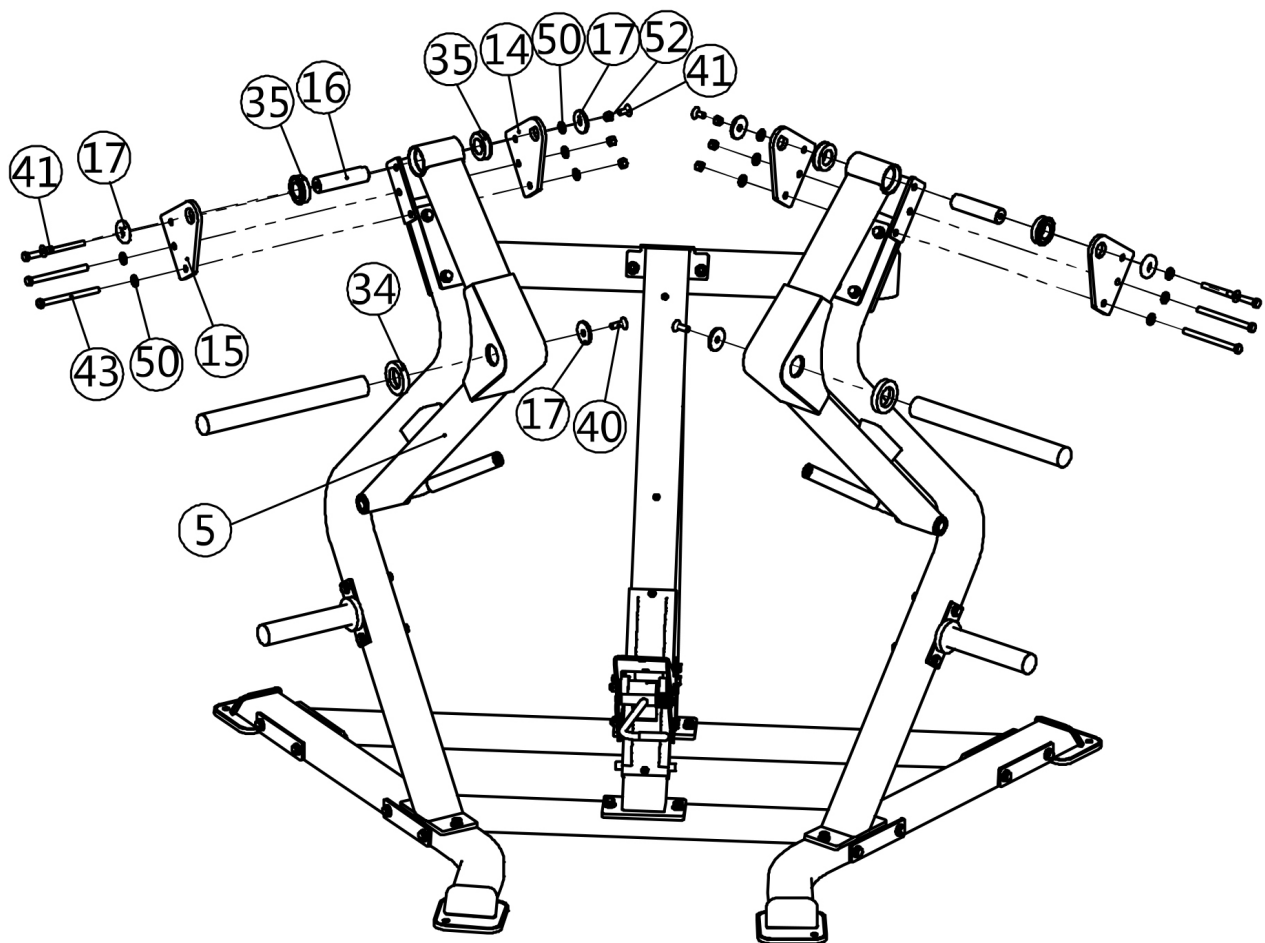
ITEM NO.	DESCRIPTION	QTY
6	Adjustable Handle	1
8	Seat Frame	1
46	Shaft For Adjustable Handle	4
48	Front Plastic Plate	8
49	Rear Plastic Plate	4
50	Spring Washer	20
51	Hex Head Bolt M12*125	12
52	Flat Head Cap Screw M10*25	4



# ✚ Assembly

## STEP 4

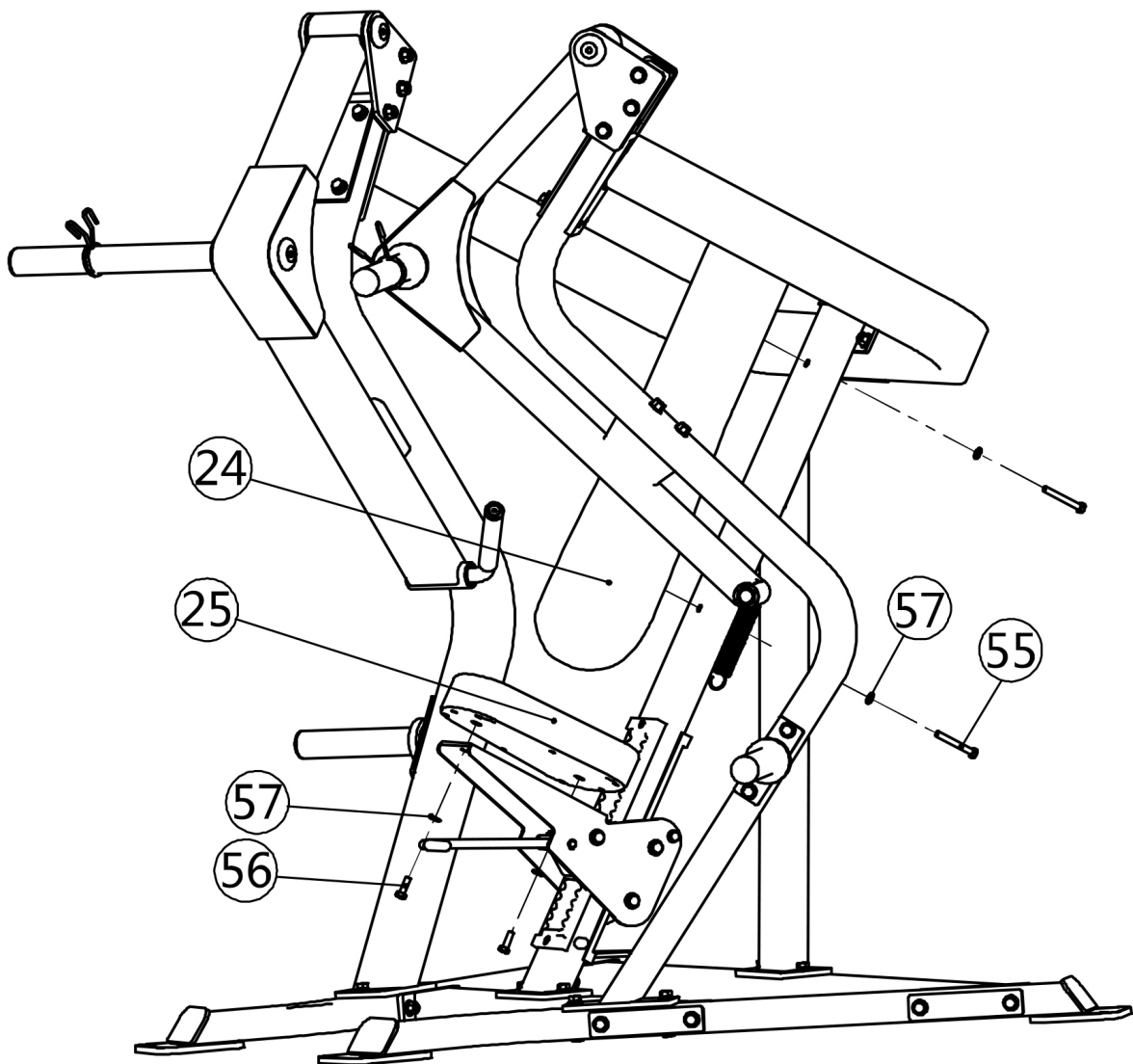
ITEM NO.	DESCRIPTION	QTY
5	Right Arm Frame	2
14	Pivot Plate 1	2
15	Pivot Plate 2	2
16	Pivot Shaft	2
17	Aluminium Cap	6
35	Flange bearing	4
40	Socket Head Cap Screw M12*40	2
41	Hex Head Bolt M12*155	4
43	Hex Head Bolt M12*135	6
50	Spring Washer	12
52	Flat Head Cap Screw M10*25	6



# ✚ Assembly

## STEP 5

ITEM NO.	DESCRIPTION	QTY
24	Back Pad	1
25	Seat Pad	1
55	Hex Head Bolt M10*145	2
56	Hex Head Bolt M10*75	2
57	Hex Head Bolt M10*30	4



# ✚ Maintenance Schedule

ROUTINE	COMMERCIAL MAINTENANCE	HOME MAINTENANCE	LATEST DATE ENTRY						
Inspect; Links, Pull Pins, Snap Locks, Swivels, Weight Stack Pins	DAILY	WEEKLY							
Clean; Upholstery	DAILY	WEEKLY							
Inspect; Cables or Belts and their tension	DAILY	WEEKLY							
Inspect; Accessory Bars, and Handles	WEEKLY	3 MONTHS							
Inspect; All Decals	WEEKLY	3 MONTHS							
Inspect; All Nuts and Bolts, Tighten if needed	WEEKLY	3 MONTHS							
Inspect; Anti-Skid Surface	WEEKLY	3 MONTHS							
Clean & Lubricate; Guide Rods with a Teflon (PTFE) based lubricant (Superlube)	MONTHLY	3 MONTHS							
Lubricate; Seat Sleeves, Turcite Bushings, Linear Bearing	MONTHLY	3 MONTHS							
Clean and Wax; All Glossy Finishes	6 MONTHS	YEARLY							
Repack with Grease; Linear Bearings	6 MONTHS	YEARLY							
Replace; Cables, Belts and Connecting Parts	YEARLY	3 YEARS							

*Your equipment comes with a commercial maintenance decal. For personal, in home use, please follow the home maintenance schedule listed above.*

# **+** General Maintenance Information

## **Links, Pull-Pins, Snap Hooks, Swivels, Weight Stack Pins:**

- \* Check all pieces for signs of visible wear or damage.
- \* Check springs in snap hooks and pull-pins for proper tension and alignment.
- \* If the spring sticks or has lost its rigidity, replace it immediately.

## **Upholstery:**

- \* To ensure prolonged upholstery life and proper hygiene, all upholstered pads should be wiped down with a damp cloth after every workout.
- \* Periodically take the time to use a mild soap or an approved vinyl upholstery cleaner to deter the onset of cracking or drying. Avoid using any abrasive cleaners or cleaners not intended for use on vinyl.
- \* Replace ripped or worn upholstery immediately.
- \* Keep sharp or pointed objects clear of all upholstery.

## **Decals:**

- \* Inspect and familiarize yourself with any safety warnings or other user information posted on each decal.

## **Nuts and Bolts:**

- \* Inspect all nuts and bolts for any loosening and tighten if needed.
- \* Go through a re-tightening sequence periodically to ensure that all hardware is tensioned proper.

## **Anti-Skid Surfaces:**

- \* These surfaces are designed to supply secure footing and need to be replaced if they appear worn or become slippery.

## **Belts and Cables:**

- \* We use only high quality belt, and mil-spec cables.
- \* Visually inspect the belts and cables for fraying, cracking, peeling or discoloration.
- \* While the machine is not in use, carefully run your fingers along the belt or cable to feel for thinning or bulging areas.
- \* Replace belts and cables immediately at the first signs of damage or wear. Do not use equipment until belts or cables have been replaced.

## **Belt and Cable Tension:**

- \* Referring to the Owners Manual, when belts or cables are used check all bolt attachments to be sure they are properly attached.
- \* Check slack in cables and re-adjust cable tension if needed.

## **Seat Sleeves, Guide Rods:**

- \* Wipe down adjusting tubes with a dust free rag before applying lubricant.
- \* Lubricate seat sleeves and Guide Rods with a Silicon or Teflon based lubricant spray.

## **Linear Bearings:**

- \* Referring to the Owners Manual carefully disassemble the bearing from its housing and place a finger full of light grease (lithium, super lube, etc.) into the inside of the bearing. Using your finger, press the grease into the ball-bearings and their tracks. Repeat until the ball-bearing tracks are full of grease. Insert the shaft back into the bearing and wipe off excess grease.