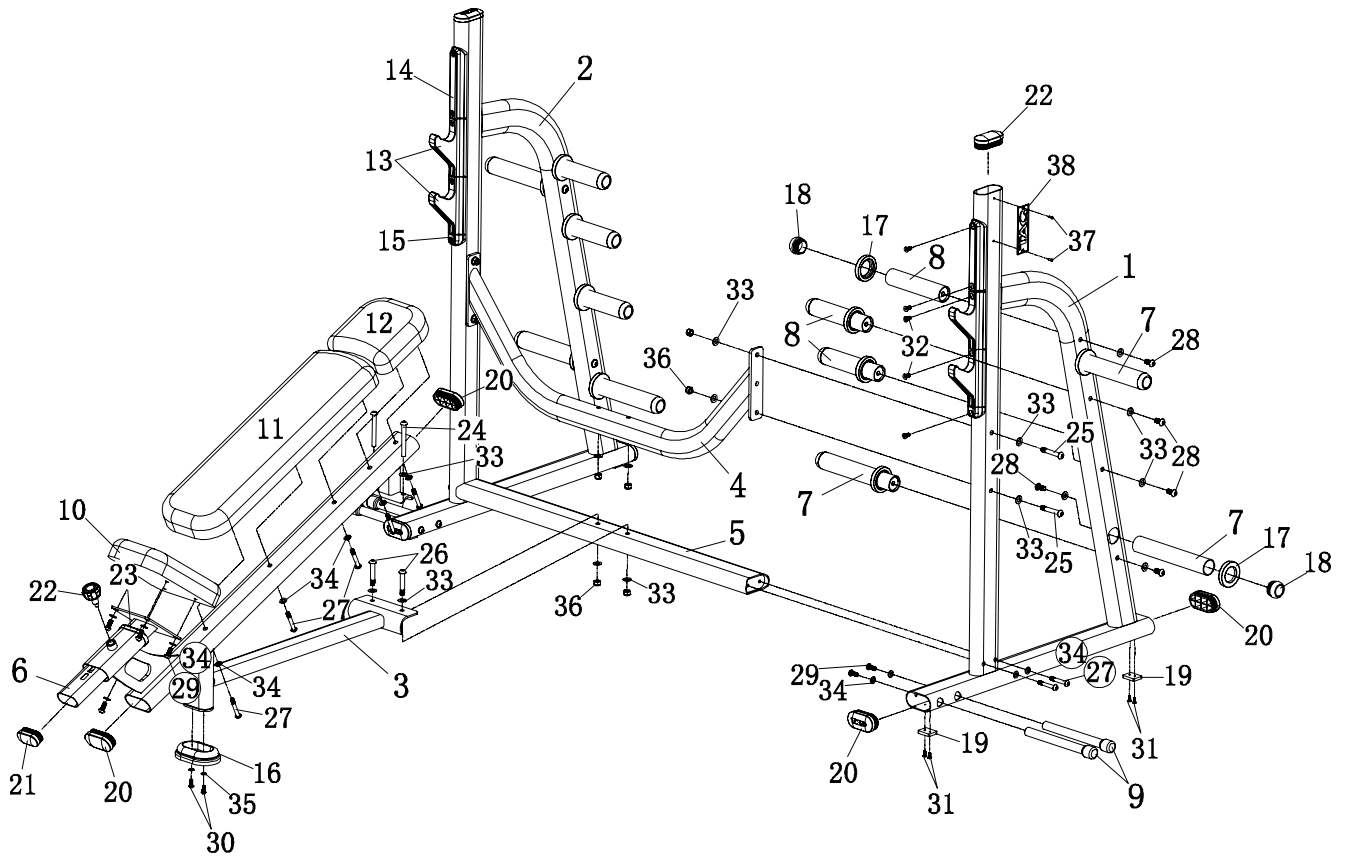


ITKO[®]

**Model 881IB
Olympic Incline Bench**



EXPLODED DRAWING



PARTS LIST

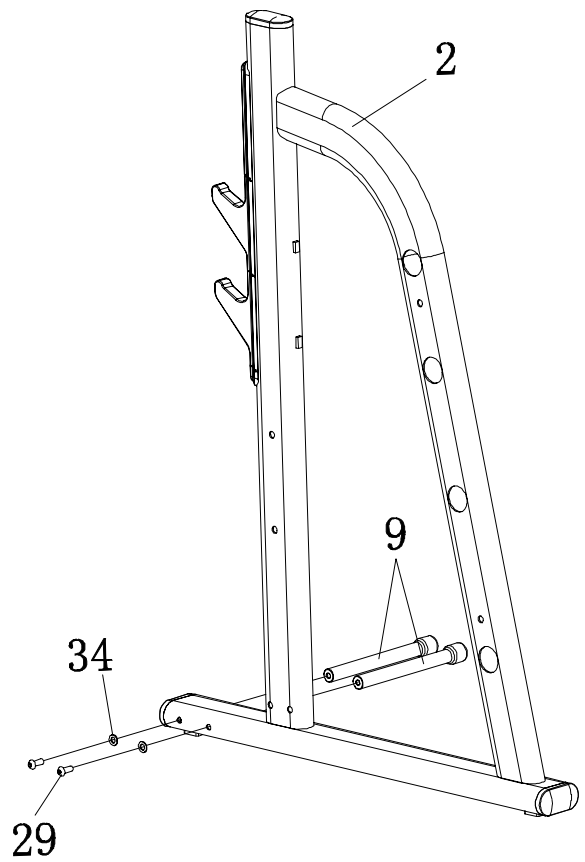
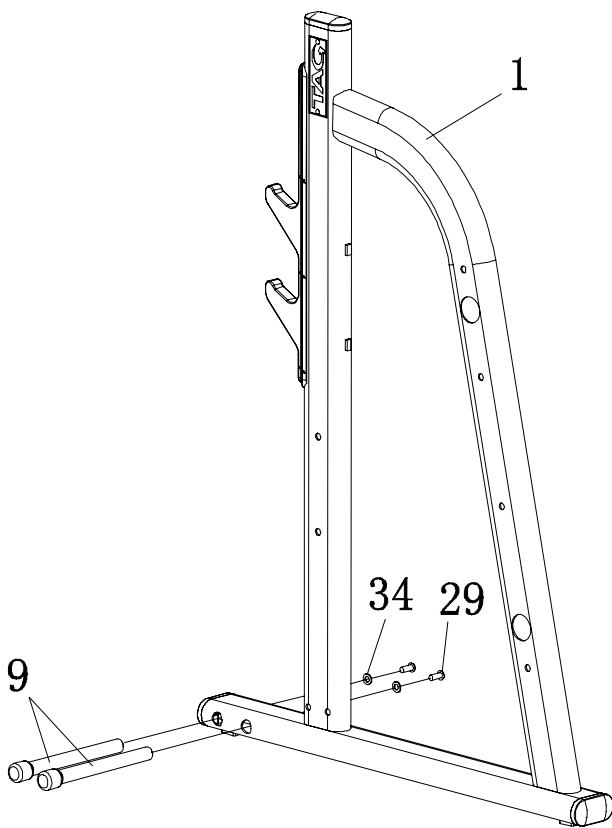
Part No.	Description	Q'ty	Part No.	Description	Q'ty
1	Left Upright Frame	1	20	End Cap 50X100mm	8
2	Right Upright Frame	1	21	End Cap 30X70mm	1
3	Back Pad Support Frame	1	22	Tension	1
4	Upper Cross Frame	1	23	Plastic Sleeve	1
5	Lower Cross Frame	1	24	Allen Bolt M12x100mm	2
6	Seat Support Frame	1	25	Allen Bolt M12x75mm	4
7	Longer Plate Storage Bar	6	26	Allen Bolt M12x70mm	2
8	Shorter Plate Storage Bar	6	27	Allen Bolt M10x65mm	9
9	Stretch Cords Holder	4	28	Allen Bolt M12x25mm	12
10	Seat Pad	1	29	Allen Bolt M10x25mm	8
11	Back Pad	1	30	Allen Bolt M8x20mm	2
12	Pillow	1	31	Screw M5x15mm	8
13	Bar Holder Cover	4	32	Allen Bolt M8x20mm	10
14	Upper Cover	2	33	Flat Washer M12	28
15	Lower Cover	2	34	Flat Washer M10	13
16	Rubber Foot Pad	1	35	Flat Washer M8	2
17	Rubber Bumper	12	36	Lock Nut M12	8
18	End Cap	12	37	Rivet 4mm x 12 mm	4
19	Rubber Floor Pad	4	38	Name Plate	2

ASSEMBLY STEPS

Step 1.

Please attach the Stretch Cords Holders (9) to the Left and Right Upright Frames (1&2), using 4 Allen Bolts (29) and 4 Flat Washers (34).

Please make sure to tighten all the knobs.



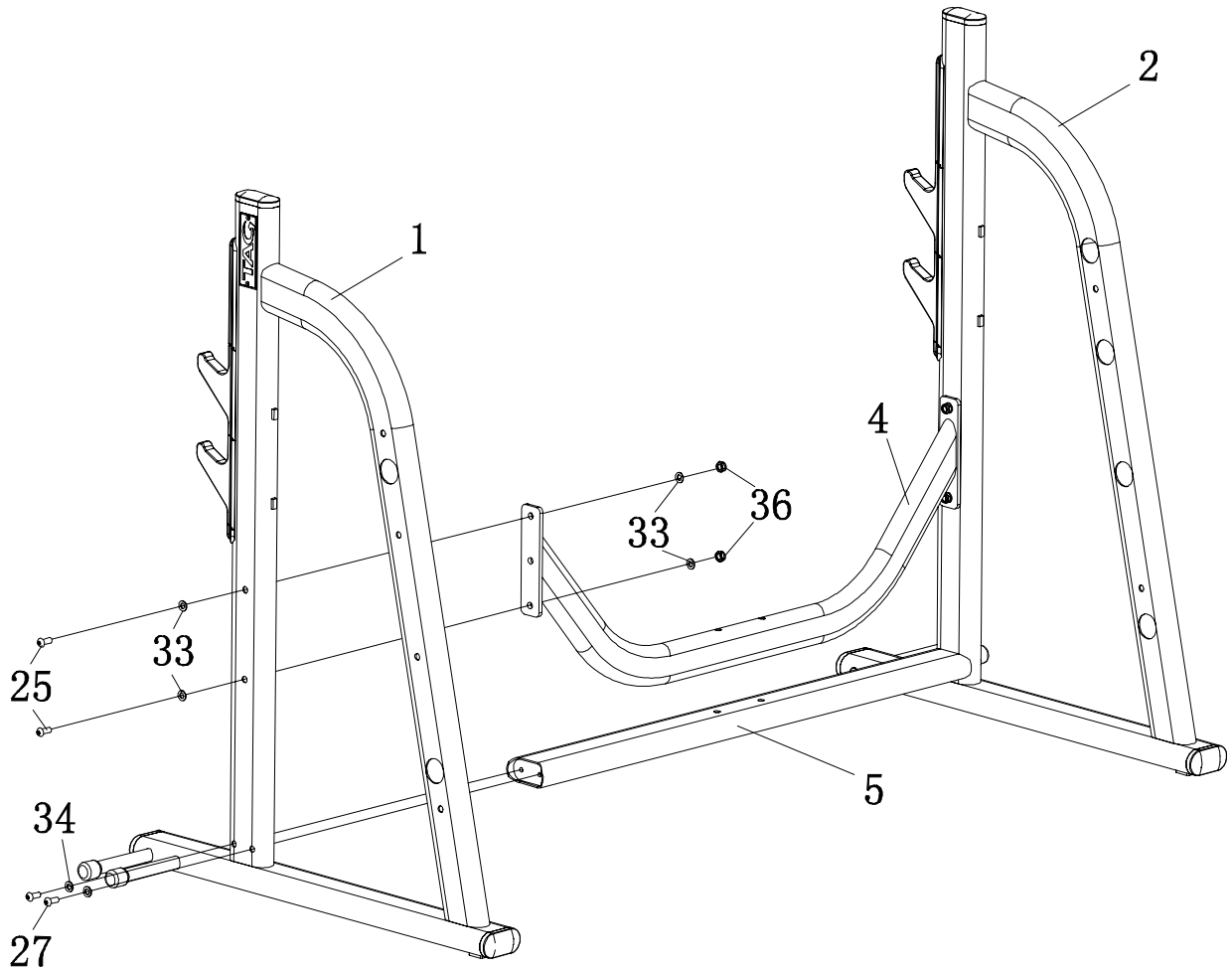
ASSEMBLY STEPS

Step 2.

Please attach the Upper Cross Frame (4) to the Left and Right Upright Frames (1&2), using 4 Allen Bolts (25), 8 Flat Washers (33) and 4 Lock Nuts (36).

Please attach the Lower Cross Frame (5) to the Left and Right Upright Frames (1&2), using 4 Allen Bolts (27) and 4 Flat Washers (34).

Please do not tighten all the bolts and nuts at this time.



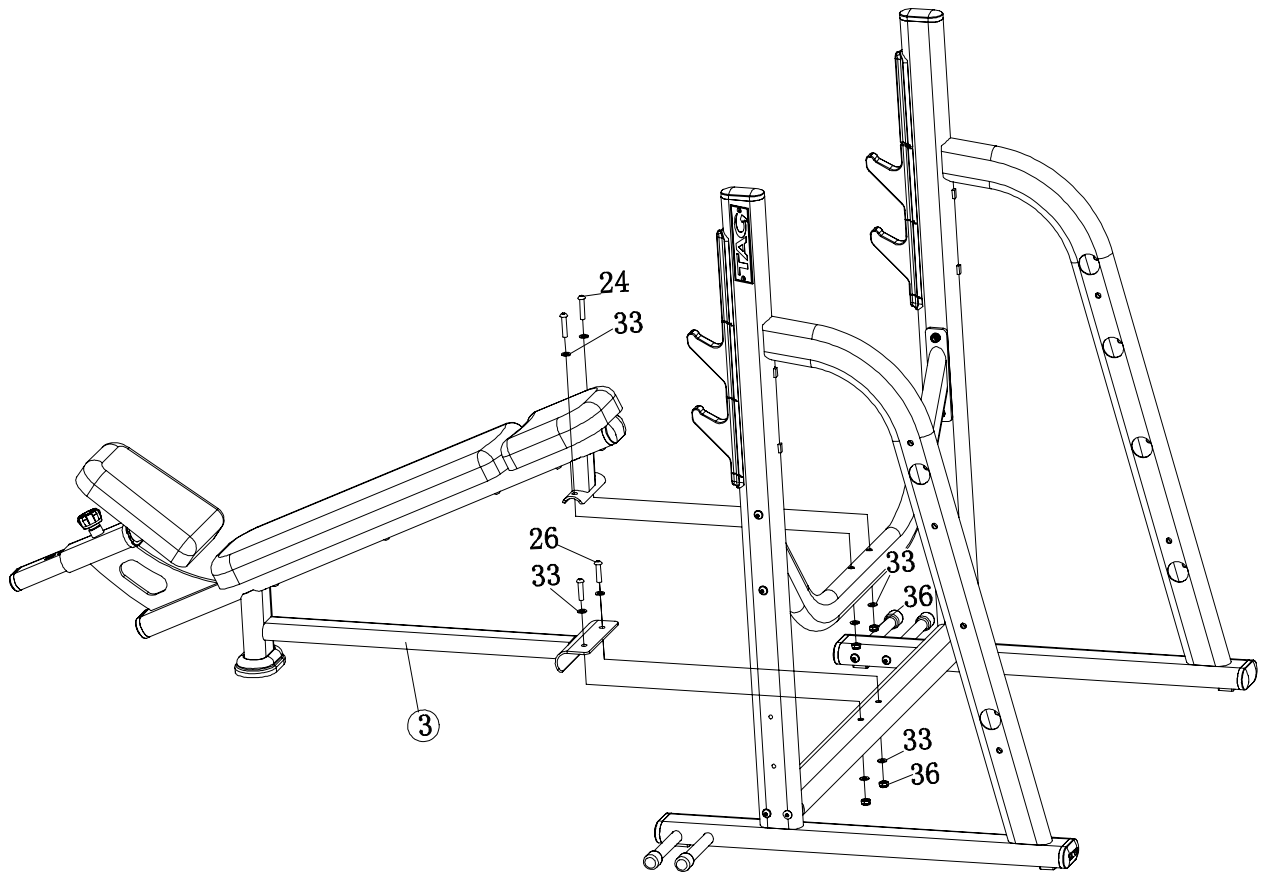
ASSEMBLY STEPS

Step 3.

Please attach the Back Pad Support Frame assembly (3) to the Upper Crosse Frame (4), using 2 Allen Bolts (24), 4 Flat Washers (33) and 2 Lock Nuts (36).

Please attach the Back Pad Support Frame assembly (3) to the Lower Crosse Frame (5), using 2 Allen Bolts (26), 4 Flat Washers (33) and 2 Lock Nuts (36).

Please make sure to tighten all the bolts and nuts.



ASSEMBLY STEPS

Step 4.

Please attach the Plate Storage Bars (7&8) to the Left and Right Upright Frames (1&2), using 12 Allen Bolts (28) and 12 Flat Washers (33).

