

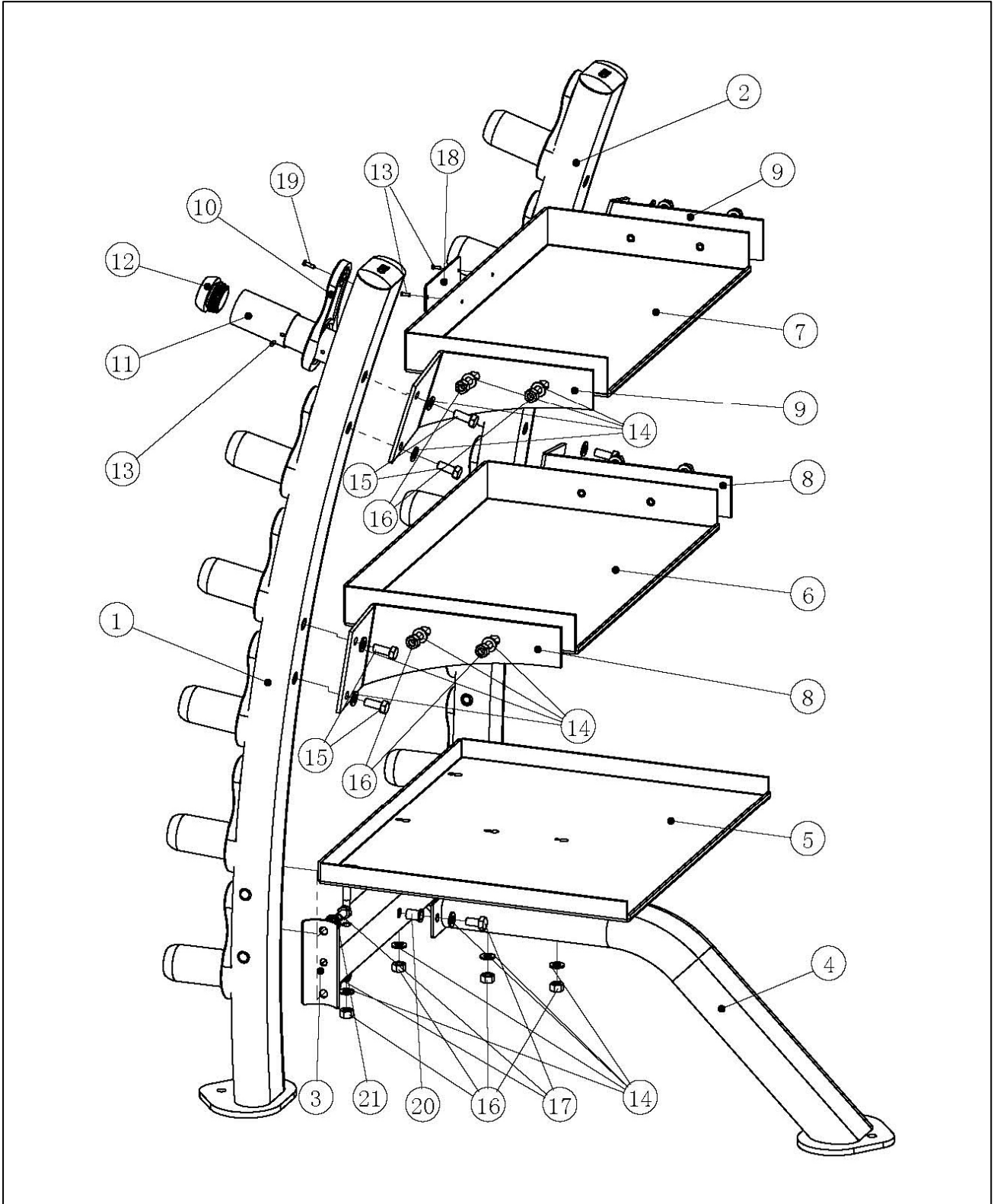
ITKO®

ACCESSORY RACK

MODEL 848ACR



EXPLODED DRAWING



PARTS LIST

No.	Description	Q'ty
1	Right Frame	1
2	Left Frame	1
3	Cross Frame	1
4	Support Frame	1
5	Lower Shelf	1
6	Middle Shelf	1
7	Upper Shelf	1
8	Metal Plate for the Middle Shelf	2
9	Metal Plate for the Upper Shelf	2
10	Rubber Cushion	12
11	Protective Sleeve	12
12	End Cap	12
13	Rivet	14
14	Flat Washer for M10 Bolt	23
15	Hex Bolt M10X25mm	8
16	Nut for M10 Bolt	13
17	Hex Bolt M10X20mm	6
18	Name Plate	1
19	Screw ST3.8X15mm	12
20	Cap for Rivet	2
21	Curl Washer for M10 Bolt	

ASSEMBLY STEP

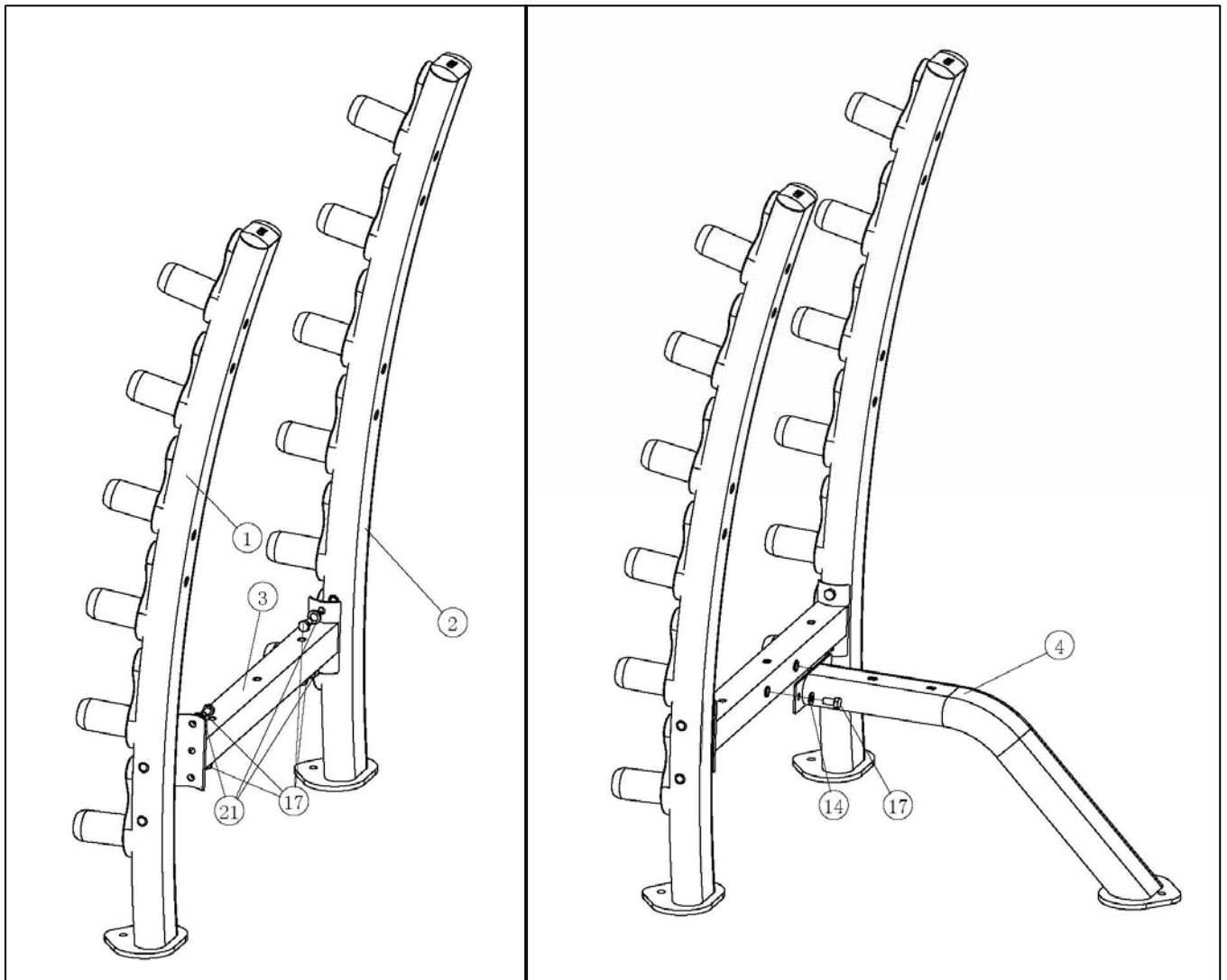
Note: Before starting assembly remove all parts and hardware from the carton, ensure you have everything according to the list.

Step 1

Connect the Cross Frame (3) to the Right and Left Frame (1&2), using 4 Hex Bolts (17) and 4 Washers (21).

Step 2

Connect the Support Frame (4) to the Cross Frame (3), using 2 Hex Bolts (17) and 2 Flat Washers (14).

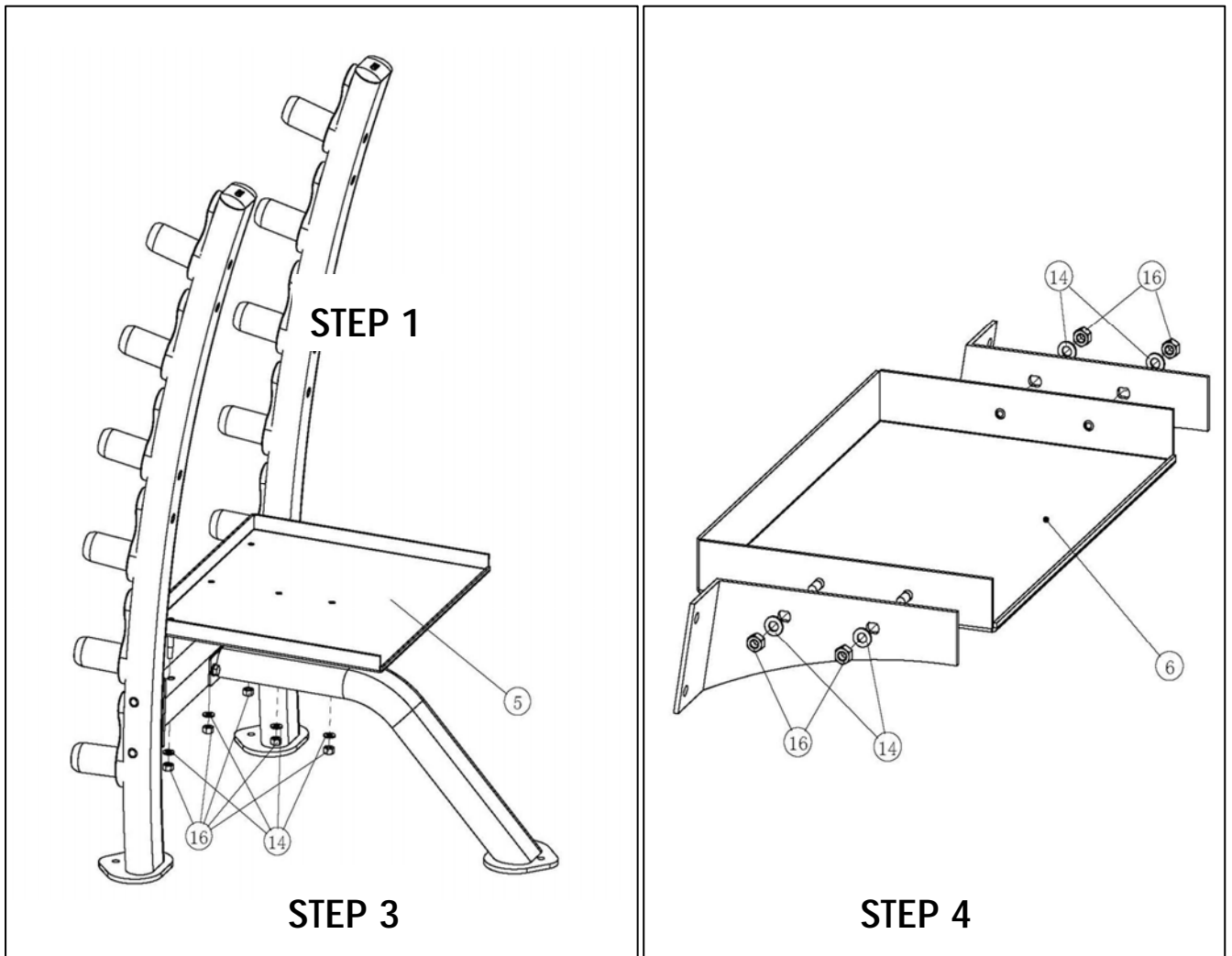


Step 3

Attach the Lower Shelf (5) to the Cross Frame (3) and Support Frame (4), using 4 Hex Bolts (14) and 4 Lock Nuts (16).

Step 4

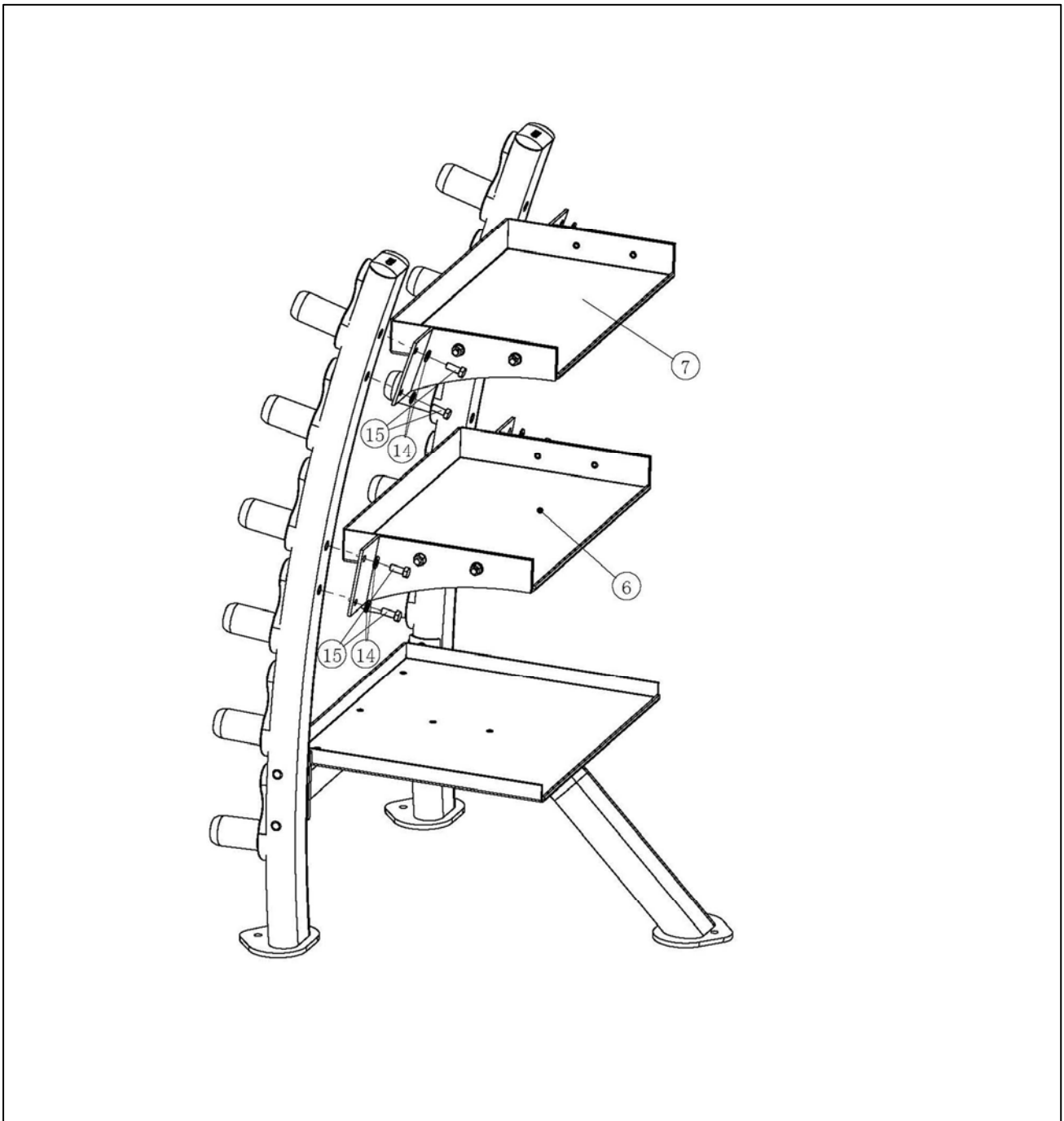
Attach the Metal Plates (8) & (9) to the Middle and Upper Shelf (6) separately, using 4 Flat Washers (14) and 4 Lock Nuts (16).



Step 5

Attach the Upper and Middle shelf (6&7) to the Main Frame separately, Using 4 Hex Bolts (14) and 4 Flat Washers (15).

Please tighten all the nuts and bolts with wrenches (not included).





TKO SPORTS GROUP USA LTD
7354 Denny Road
Suite 100
Houston, TX 77040
866-856-3488
www.tko.com