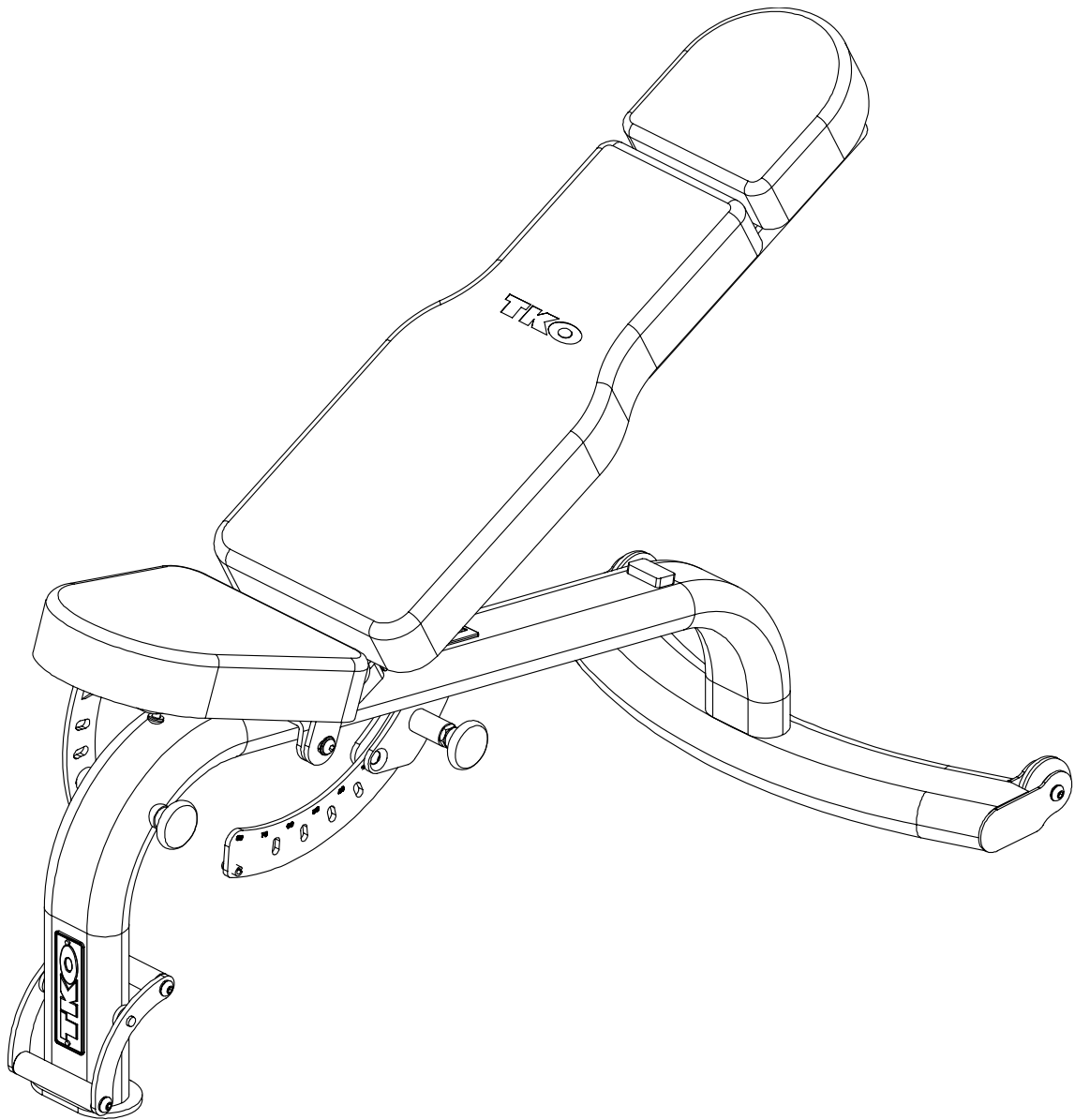
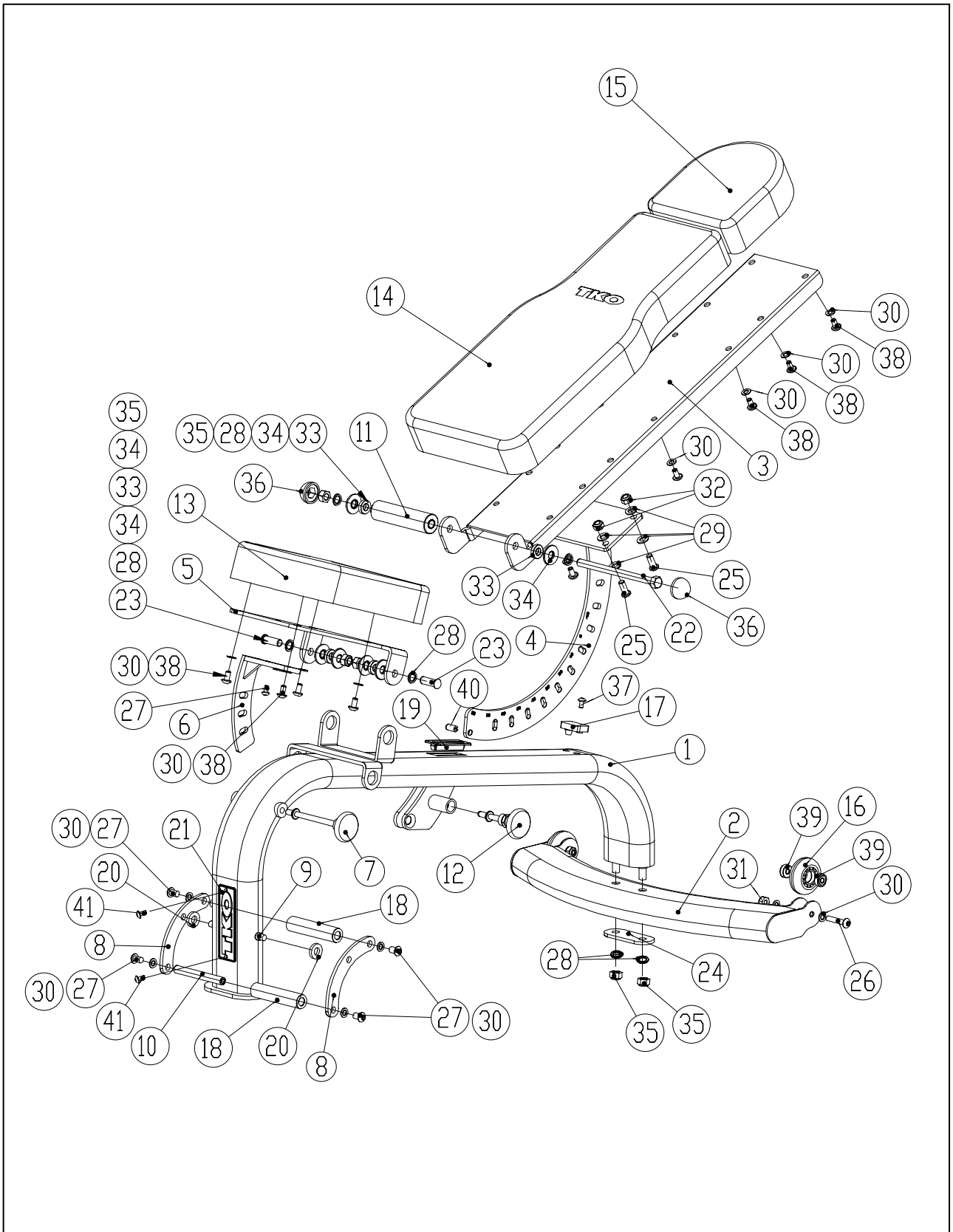


ITKO®

Flat-Incline-Decline Bench G824FID



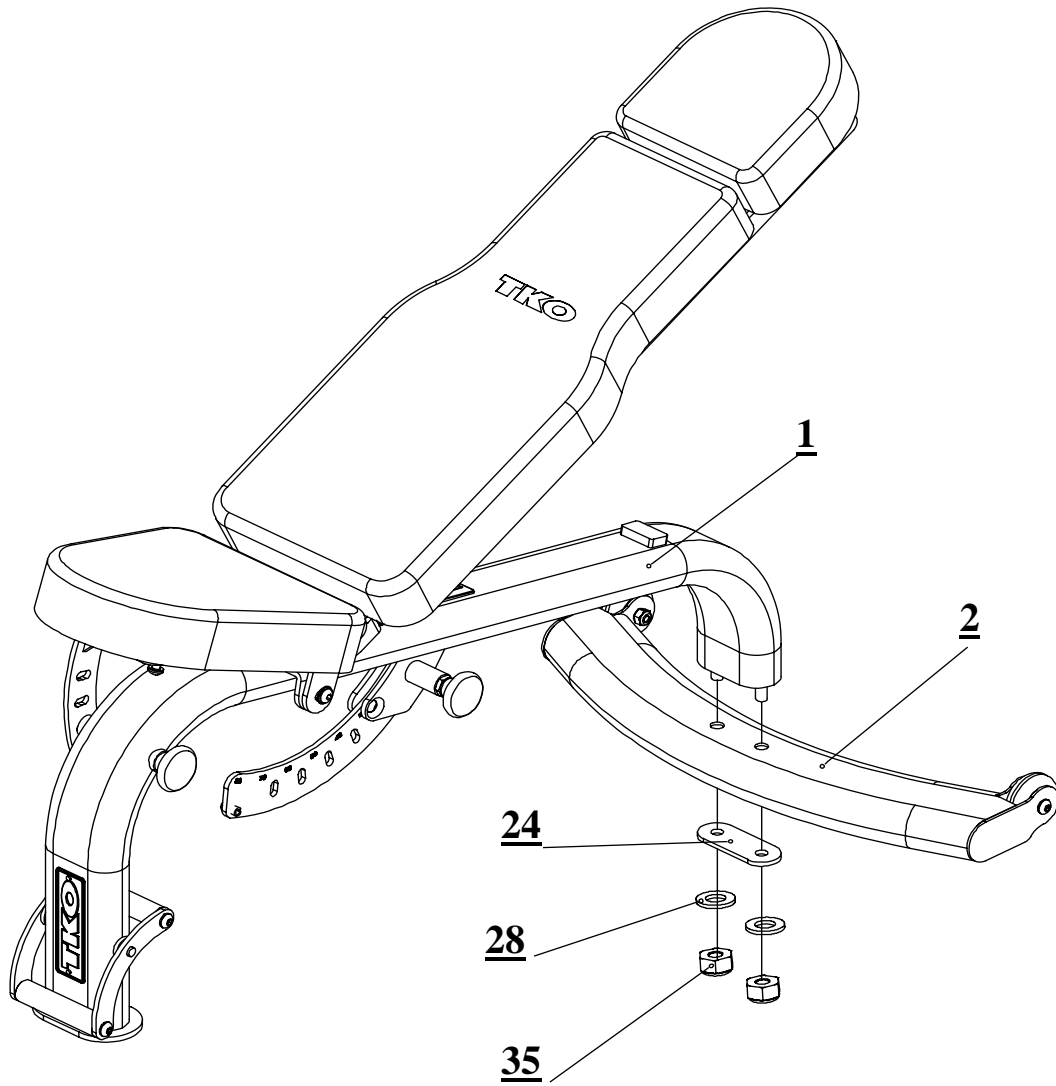
EXPLODED DRAWING



PARTS LIST

NO.	Description	Q'ty
1.	Main Frame	1pc
2.	Base Frame	1pc
3.	Back Pad Support Frame	1pc
4.	Back Pad Angle Adjustment Plate	1pc
5.	Seat Pad Support Frame	1pc
6.	Seat Pad Angle Adjustment Plate	1pc
7.	Lock Pin For Seat Pad	1pc
8.	Handlebar Plates	2pcs
9.	Handlebar Pivot shaft	1pc
10.	Handlebar Shaft	2pcs
11.	Shaft for Back Pad	1pc
12.	Knob for Back Pad	1pc
13.	Seat Pad	1pc
14.	Back Pad	1pc
15.	Pillow	1pc
16.	Transport Wheel	2pcs
17.	Rubber Bumper	1pc
18.	Plastic Sleeve for Handle	2pcs
19.	Plastic Bush	1pc
20.	Plastic Washer for Handle	2pcs
21.	Name Plate	1pc
22.	Hex Bolt M12x180mm (7")	1pc
23.	Allen Bolt M12x35mm (1-3/8")	2pcs
24.	Metal Plate (Oval shaped)	1pc
25.	Allen Bolt M10x25mm (1")	4pcs
26.	Allen Bolt M8x45mm (1-3/4")	2pcs
27.	Allen Bolt M8x15mm (5/8")	6pcs
28.	Washer for M12 Bolt	6pcs
29.	Washer for M10 Bolt	10pcs
30.	Washer for M8 Bolt	24pcs
31.	Lock Nut M8	2pcs
32.	Lock Nut M10	4pcs
33.	Bearing (#61901) ϕ 24x ϕ 12x6	4pcs
34.	Washer ϕ 34x ϕ 13x3	6pcs
35.	Lock Nut M12	5pcs
36.	Plastic Cap	2pcs
37.	Screw ST6*20 (25/32")	1pc
38.	Allen Bolt M8x25mm (1")	14pcs
39.	Bushing for Transport Wheels	4pcs
40.	Pin	1pcs
41.	Rivet ϕ 3.2x10	2pcs

ASSEMBLY STEP



Please connect the Base Frame (2) to the Main Frame (1), using 2 Washers (28) and 2 Lock Nuts (35) and a Metal Plate (24),



TKO SPORTS GROUP USA LTD
7354 Denny Road
Suite 100
Houston, TX 77040
866-856-3488
www.tko.com