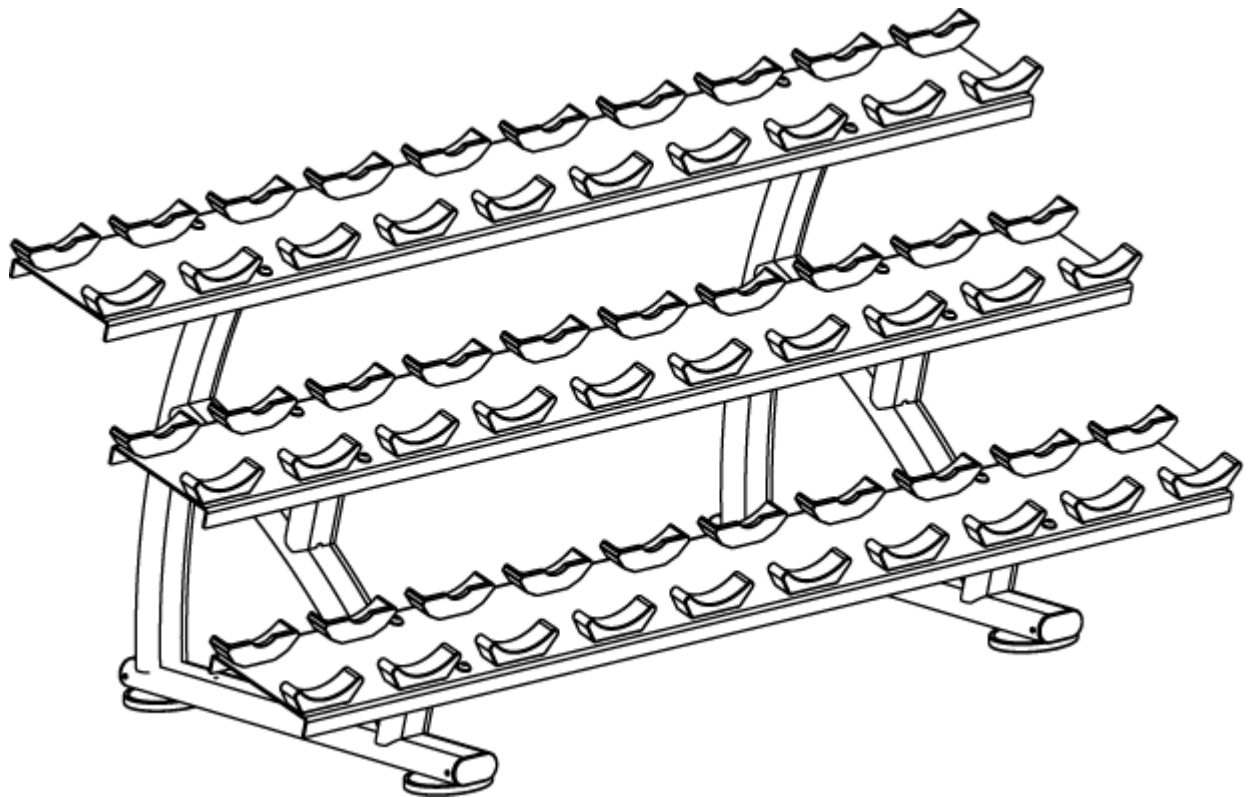
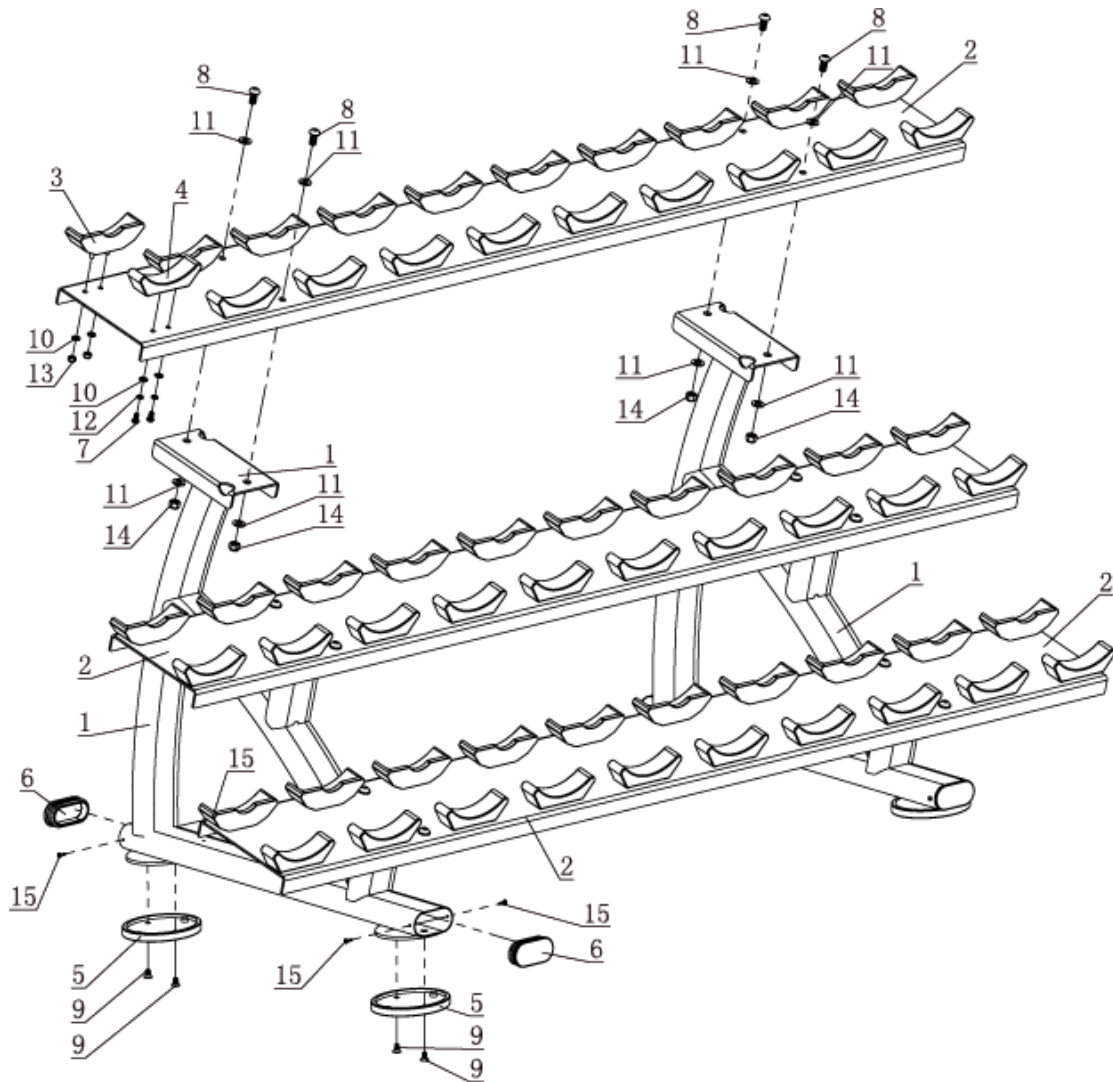




15 Pair Dumbbell Rack with Saddles  
Model 7052B



# EXPLODED DRAWING & PARTS LIST



No.	Description	Q'ty	No.	Description	Q'ty
1	Upright Frame	2	9	Hex Sunk Screw M8*15	8
2	Main Plate	3	10	Flat Washer $\Phi 9 \times \Phi 16 \times 1.6$	120
3	Saddle 166*46.5*67	30	11	Flat Washer $\Phi 13.5 \times \Phi 24 \times 2.5$	24
4	Saddle 158*47.5*40	30	12	Spring Washer $\Phi 8$	60
5	PVC Foot Cushion	4	13	Nut M8	60
6	End Cap PT50*100*2	4	14	Nut M12	12
7	Hex Pan Bolt M8*15	60	15	Cross Pan Screw ST4.2*16	8
8	Hex Pan Bolt M12*25	12			

# ASSEMBLY

Connect Upright Frame (1) and Main Plate (2) using Hex Pan Bolt M12\*25 (8), Flat Washer  $\Phi 13.5 \times \Phi 24 \times 2.5$  (11) and Nut M12(14), then adjust them to keep balance and tighten all bolts;

Connect other two main plates by the same way.

