

ITKO®

Power Rack

Model 6550



IMPORTANT SAFETY INSTRUCTIONS

TKO Fitness products are designed and manufactured to the highest standards in order to provide you with years of great workouts. We proudly stand behind all our products with the best customer service in the fitness industry. If you have any question or need assistance please contact us at:

Customer Service: customerservice@tko.com

Toll free: 866-856-3488 or 713-895-9270

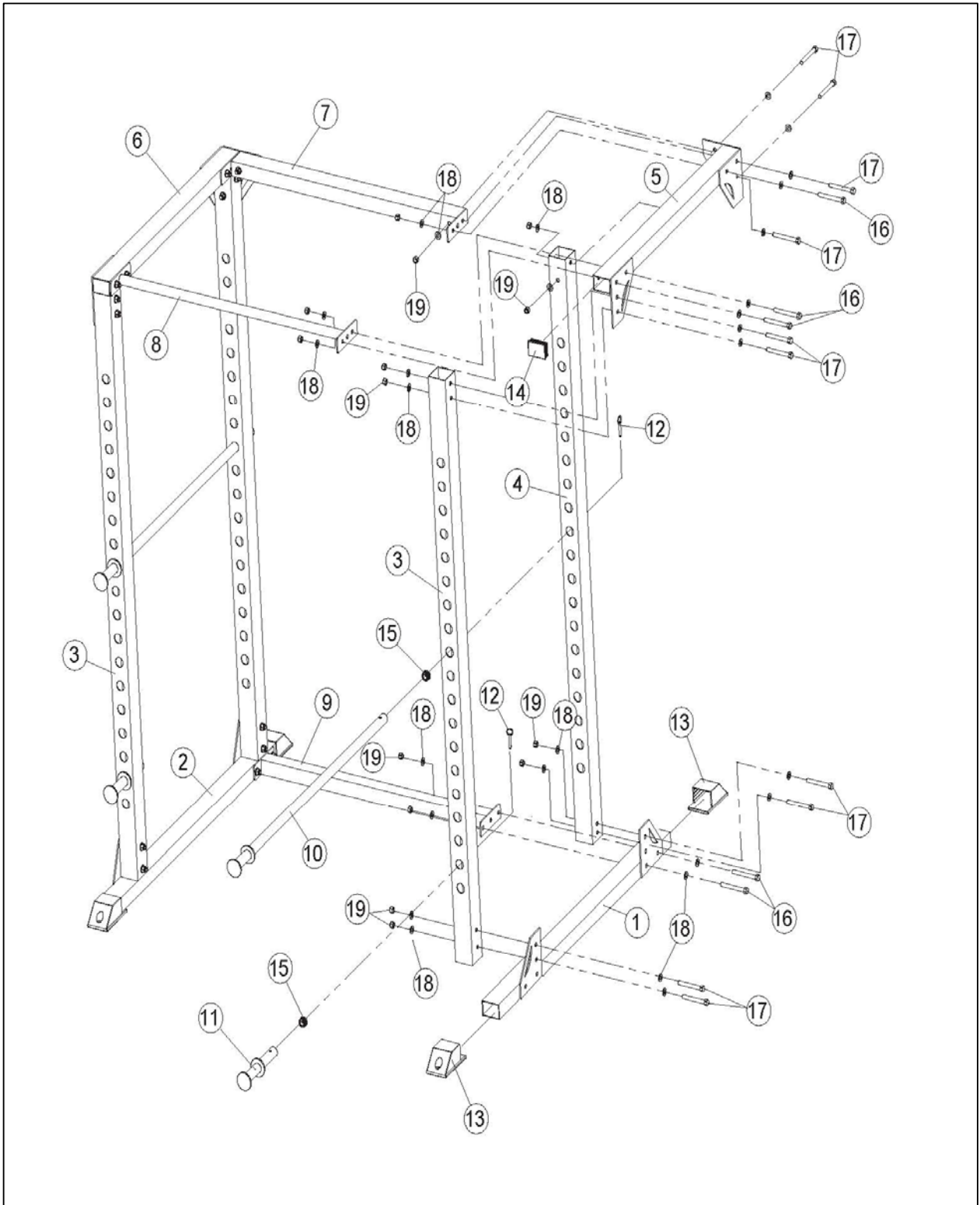
Monday-Friday 8:30am to 4:30pm CT

- Inspect your machine prior to exercise to ensure that all nuts and bolts are fully tightened.
- Replace the worn parts immediately.
- Most exercise equipment is not recommended for small children. Children should not use the machine unless they are under adult supervision.
- Exercise equipment has moving parts. In the interest of safety, keep others, especially children, at a safe distance while exercising.
- Warm up 5 to 10 minutes before each workout and cool down 5 to 10 minutes afterward. Never hold your breath while exercising.
- Rest adequately between workouts. Muscles tone and develop during these rest periods. Beginners should work out twice a week and increase gradually to 4 to 5 times per week.
- Remove all jewelry, including rings, chains and pins before commencing exercise.
- Always wear suitable clothing and footwear during exercise. Do NOT wear loose fitting clothing that could become entangled with the moving parts of your exercise machine.

MEDICAL WARNING

- Before beginning any exercise program, consult your personal physician. Evaluate your present fitness level and determine the exercise program that is most appropriate for your particular age and condition.
- If you experience any pain or tightness in your chest, irregular heartbeats, shortness of breath, faintness or other unusual discomfort while exercising, stop and consult your physician before continuing.

EXPLODED DRAWING



PARTS LIST

Part No.	Description	Q'ty
1	Base Frame-R	1
2	Base Frame-L	1
3	Front Upright Frame	2
4	Rear Upright Frame	2
5	Side Top Frame-R	1
6	Side Top Frame-L	1
7	Rear Top Frame	1
8	Chin Up Bar	1
9	Rear Base Frame	1
10	Safety Catch	2
11	Lift Off	2
12	Lock Pin	4
13	End Cap	4
14	End Cap	2
15	Round End Cap	4
16	Hex Bolt M12x100mm (4")	10
17	Hex Bolt M12x95mm (3-3/4")	20
18	Flat Washer for M12 bolt	58
19	Lock Nut for M12 bolt	28

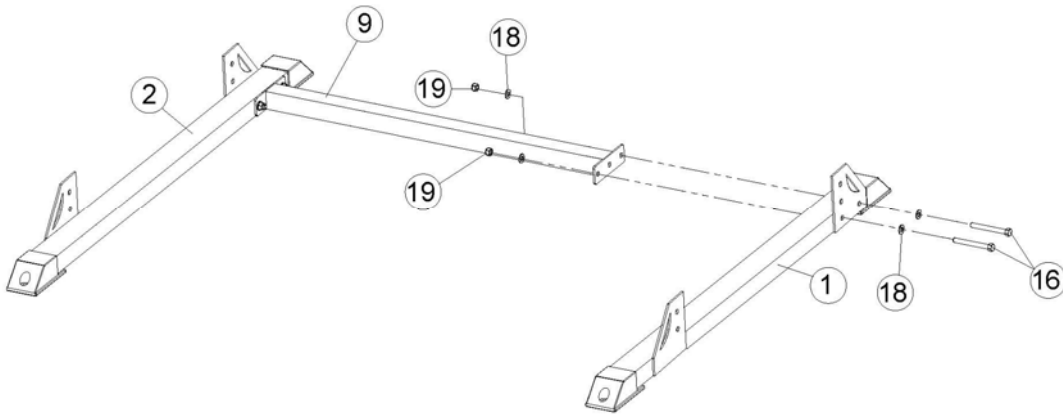
ASSEMBLY STEP

Note: Before starting assembly remove all parts and hardware from the carton, ensure you have everything according to the list.

Step 1

Please connect the Rear Base Frame (9) to the right and left Base Frames (1&2), using 4 Hex Bolts (16), 8 Flat Washers (18) and 4 Lock Nuts (19).

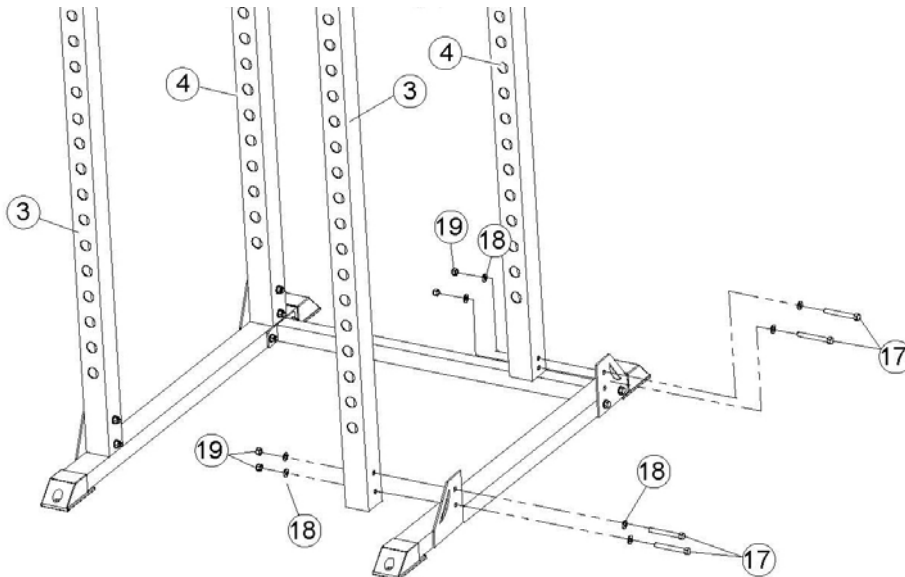
Note: Please tighten all the nuts and bolts using wrenches.



Step 2

Please install the front and Rear Upright Frames (3&4) to the Base Frame, using 8 Hex Bolts (17), 16 Flat Washers (18) and 8 Lock Nuts (19).

Please do not tighten these nuts and bolts yet until step 3.

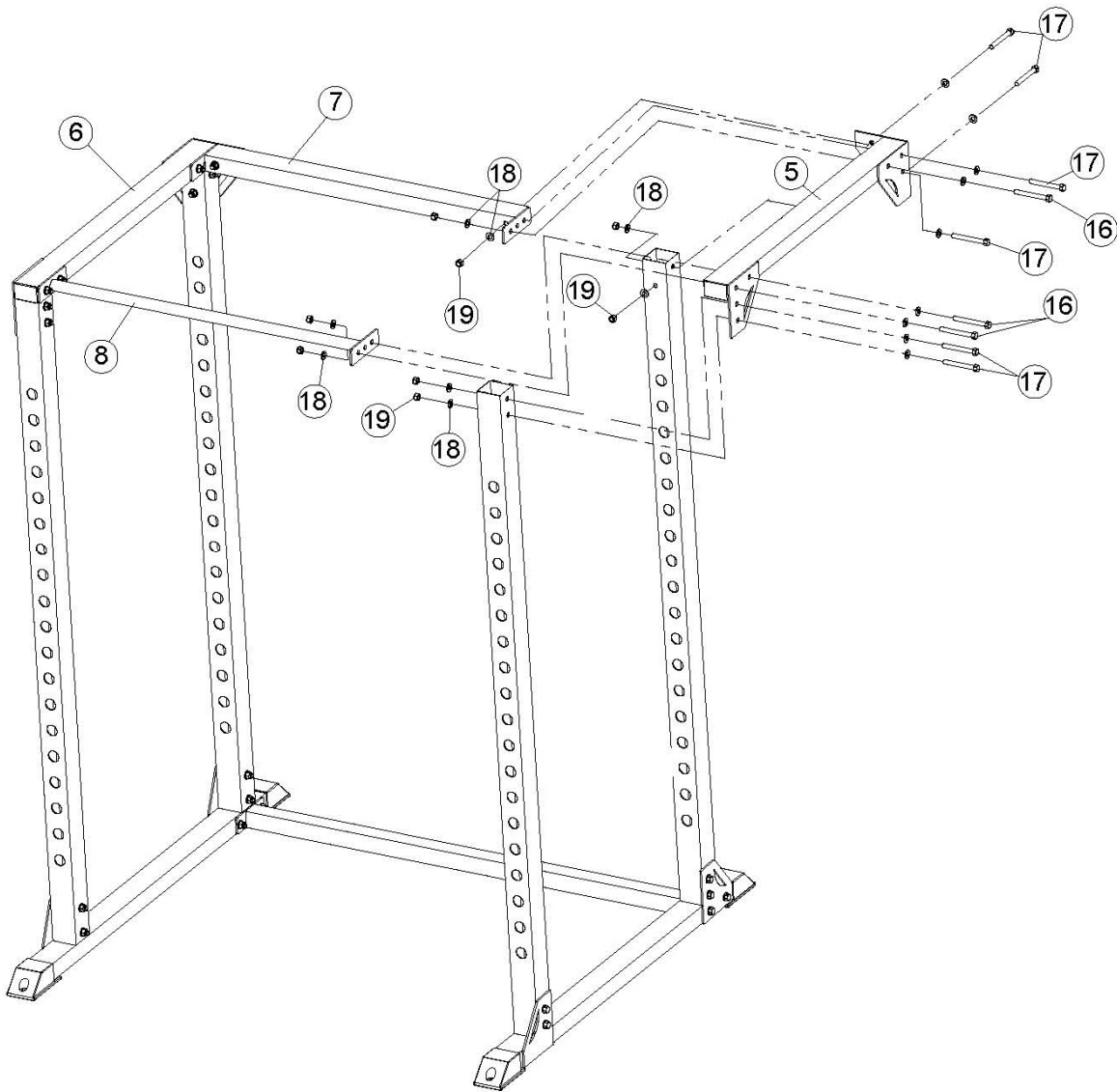


Step 3

Attached the Side Top Frames (5&6) to the Upright Frame, using 8 Hex Bolts (17), 16 Flat Washers (18) and 8 Lock Nuts (19).

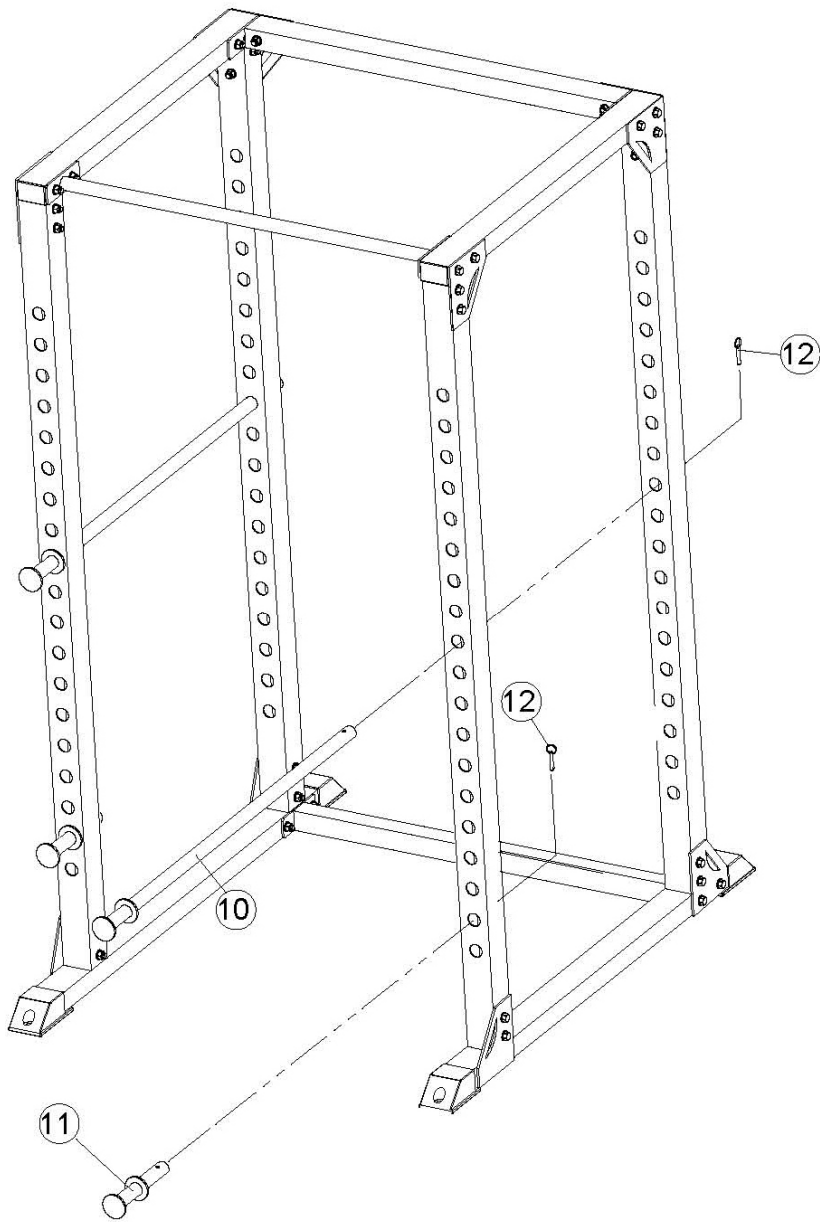
Connect the Rear Upper Frame (7) and Chin Up Bar (8) to the Side Upper Frames (5&6), using 4 Hex Bolts (17) , 6 Hex Bolts (16), 18 Flat Washers (18) and 8 Lock Nuts (19).

Note: Please tighten all the nuts and bolts with the Wrenches.



Step 4

Please insert the Safety Catches (10) and Lift Offs (11) into the Upright Frames, secure it with the Lock Pins(12).





TKO SPORTS GROUP USA LTD
7354 Denny Road
Suite 100
Houston, TX 77040
866-856-3488
www.tko.com