

**DB-SUB-8FS-PB**

**| FREE STANDING SINGLE SUSPENSION BAY**

**| PB PACKAGE**

TKO's Defiant modular bay system is a versatile addition to training facilities, offering storage for various fitness equipment like med balls, wall balls, stability balls, kettlebells, dumbbells, mats, and more. With a range of unique shelving options, facility owners can customize their storage based on specific needs, optimizing space and ensuring convenient access to essential items.



### **PRODUCT SPECIFICATION**

DIMENSIONS: W 53" x D 56" x H 95.5"

FRAME COLOR: Matte Black

#### **WARRANTY:**

Structural Frame=10yrs

Monkey bars, pull-up bars, ball targets=5yrs

Shelving, Racking, Pegs=1 year

### **INCLUDES**

- Free Standing Counter Balance System
- Front and Rear Outriggers (2 EA)
- Adjustable Ball Rack (1)
- Adjustable Tray Rack (3)
- 3-Way Swivel (2)
- DB-Med-48 (509CMB-6,8,10+12 lb)
- DB-Slam-48 (509SBT-10,15,20+25 lb)
- DB-KB-Light (K856PKB-4,6,8,12,16+20 kg)
- DB-PB-48 (K250PB-5,10,15+20 kg)

### **Customization**

Choose your color for the uprights or add your logo to the top crossbar.

MADE IN  
**USA** 

TKOSTRENGTH.COM | 1.866.856.3488

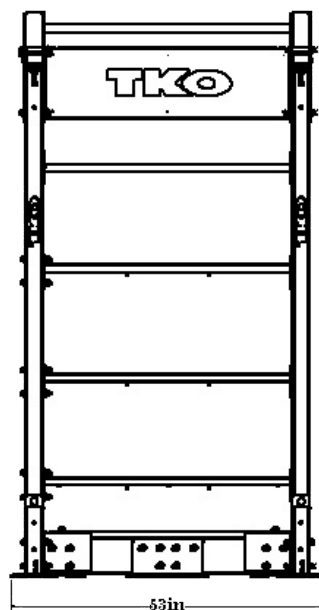
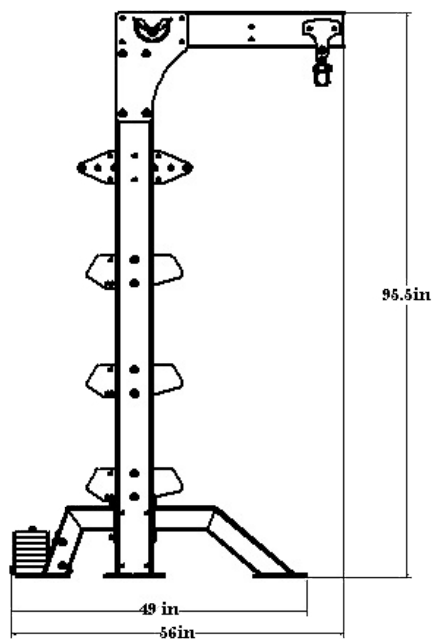
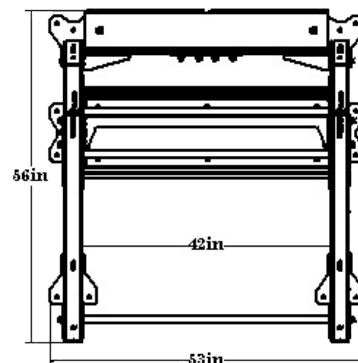


**DB-SUB-8FS-PB**

**| FREE STANDING SINGLE SUSPENSION BAY**

**| PB PACKAGE**

TKO's Defiant modular bay system is a versatile addition to training facilities, offering storage for various fitness equipment like med balls, wall balls, stability balls, kettlebells, dumbbells, mats, and more. With a range of unique shelving options, facility owners can customize their storage based on specific needs, optimizing space and ensuring convenient access to essential items.



### **PRODUCT SPECIFICATION**

DIMENSIONS: W 53" x D 56" x H 95.5"

FRAME COLOR: Matte Black

#### WARRANTY:

Structural Frame=10yrs

Monkey bars, pull-up bars, ball targets=5yrs

Shelving, Racking, Pegs=1 year

### **INCLUDES**

- Free Standing Counter Balance System
- Front and Rear Outriggers (2 EA)
- Adjustable Ball Rack (1)
- Adjustable Tray Rack (3)
- 3-Way Swivel (2)
- DB-Med-48 (509CMB-6,8,10+12 lb)
- DB-Slam-48 (509SBT-10,15,20+25 lb)
- DB-KB-Light (K856PKB-4,6,8,12,16+20 kg)
- DB-PB-48 (K250PB-5,10,15+20 kg)

### **Customization**

Choose your color for the uprights or add your logo to the top crossbar.

