

DB-TSU-848

| FUNCTIONAL FITNESS-SUSPENSION

| TRIPLE SUSPENSION BAY

TKO's all new Defiant modular Suspension and Storage bay system are a great addition to any training facility. Gives any environment the ability to store med balls, wall balls, stability balls, kettlebells, dumbbells, mats and more. With a full line of unique shelving, you have the freedom to choose based on your needs. The Suspension capability is perfect for functional training areas, with a unique 3-Way Swivel to hold a variety of suspension trainers or heavy bags.

PRODUCT SPECIFICATION

DIMENSIONS: 143" x 40 3/4" x 95 1/2"

FRAME COLOR: Matte Black

WARRANTY: Structural Frame=10yrs

Monkey bars, pull-up bars, ball targets=5yrs

Shelving, Racking, Pegs=1 year

FEATURES & BENEFITS

- Modular Configuration
- Can be freestanding with a variety of foot options
- Customization available for uprights
- Expandible anytime
- Unique Shelving
- Compact Footprint

INCLUDES

- Adjustable Ball Rack (3)
- 3-Way Swivel (4)
- Adjustable Tray Rack (6)
- Straight Pullup Bar (3)
- Adjustable Mat/Band Rack (1)



MADE IN
USA 

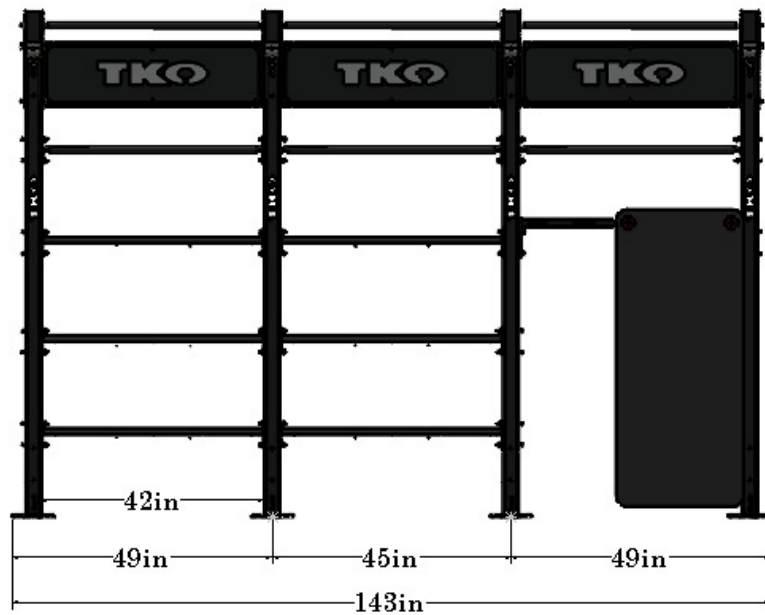
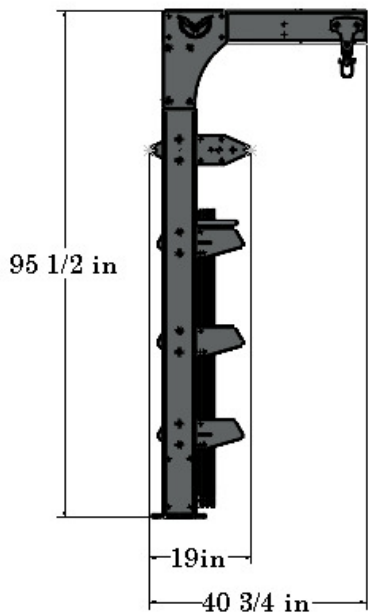
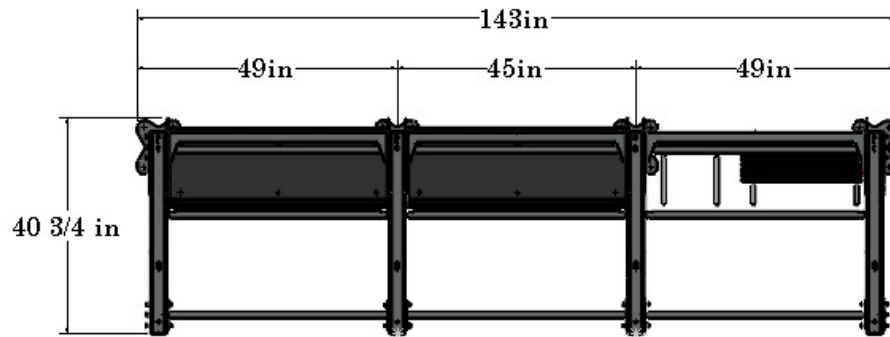
TKOSTRENGTH.COM | 1.866.856.3488



DB-TSU-848

FUNCTIONAL FITNESS-SUSPENSION

TRIPLE SUSPENSION BAY



PRODUCT SPECIFICATION

DIMENSIONS: 143" x 40 3/4" x 95 1/2"
FRAME COLOR: Matte Black

FEATURES & BENEFITS

- Modular Configuration
- Can be freestanding with a variety of foot options
- Customization available for uprights
- Expandible anytime
- Unique Shelving
- Compact Footprint

INCLUDES

- Adjustable Ball Rack (3)
- 3-Way Swivel (4)
- Adjustable Tray Rack (6)
- Straight Pullup Bar (3)
- Adjustable Mat/Band Rack (1)