

DB-SUB-8FS | FUNCTIONAL FITNESS-SUSPENSION | FREE STANDING SINGLE SUSPENSION BAY

TKO's Defiant modular bay system is a versatile addition to training facilities, offering storage for various fitness equipment like med balls, wall balls, stability balls, kettlebells, dumbbells, mats, and more. With a range of unique shelving options, facility owners can customize their storage based on specific needs, optimizing space and ensuring convenient access to essential items.



PRODUCT SPECIFICATION

DIMENSIONS: W 53" x D 56" x H 95.5"

FRAME COLOR: Matte Black

WARRANTY:

Structural Frame=10yrs

Monkey bars, pull-up bars, ball targets=5yrs

Shelving, Racking, Pegs=1 year

INCLUDES

- Free Standing Counter Balance System
- Front and Rear Outriggers (2 EA)
- Adjustable Ball Rack (1)
- Adjustable Tray Rack (3)
- 3-Way Swivel (2)

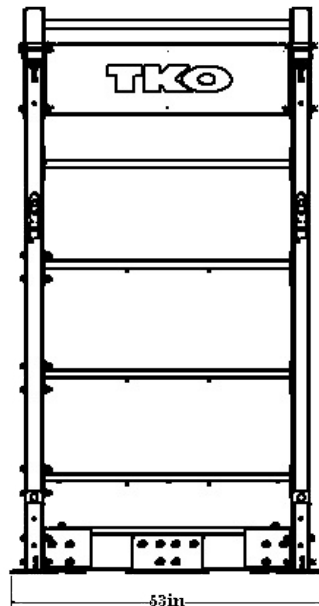
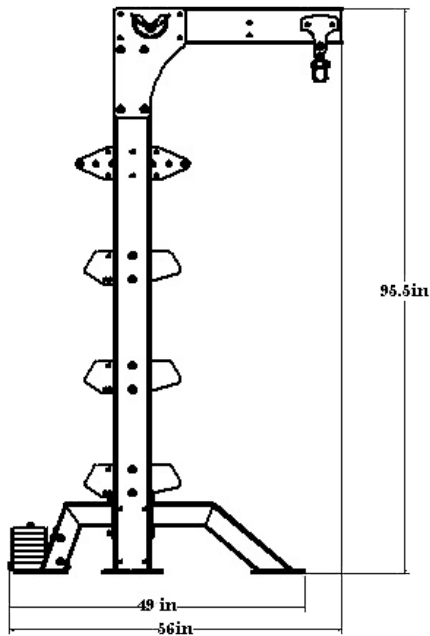
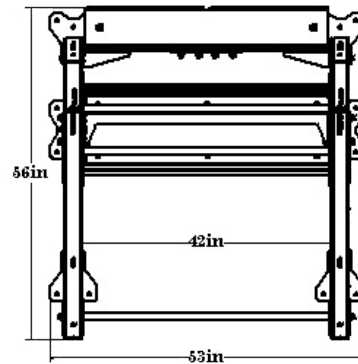
Customization

Choose your color for the uprights or add your logo to the top crossbar.



DB-SUB-8FS | FUNCTIONAL FITNESS-SUSPENSION | FREE STANDING SINGLE SUSPENSION BAY

TKO's Defiant modular bay system is a versatile addition to training facilities, offering storage for various fitness equipment like med balls, wall balls, stability balls, kettlebells, dumbbells, mats, and more. With a range of unique shelving options, facility owners can customize their storage based on specific needs, optimizing space and ensuring convenient access to essential items.



PRODUCT SPECIFICATION

DIMENSIONS: W 53" x D 56" x H 95.5"

FRAME COLOR: Matte Black

WARRANTY:

Structural Frame=10yrs

Monkey bars, pull-up bars, ball targets=5yrs

Shelving, Racking, Pegs=1 year

INCLUDES

- Free Standing Counter Balance System
- Front and Rear Outriggers (2 EA)
- Adjustable Ball Rack (1)
- Adjustable Tray Rack (3)
- 3-Way Swivel (2)

Customization

Choose your color for the uprights or add your logo to the top crossbar.

