

DB-QSU-848

| FUNCTIONAL FITNESS-SUSPENSION

| QUADRUPLE SUSPENSION BAY

TKO's all new Defiant modular Suspension and Storage bay system are a great addition to any training facility. Gives any environment the ability to store med balls, wall balls, stability balls, kettlebells, dumbbells, mats and more. With a full line of unique shelving, you have the freedom to choose based on your needs. The Suspension capability is perfect for functional training areas, with a unique 3-Way Swivel to hold a variety of suspension trainers or heavy bags.

PRODUCT SPECIFICATION

DIMENSIONS: 188" x 40 1/4" x 95 1/2"

FRAME COLOR: Matte Black

WARRANTY: Structural Frame=10yrs
Monkey bars, pull-up bars, ball targets=5yrs
Shelving, Racking, Pegs=1 year

FEATURES & BENEFITS

- Modular Configuration
- Can be freestanding with a variety of foot options
- Customization available for uprights
- Expandible anytime
- Unique Shelving
- Compact Footprint

INCLUDES

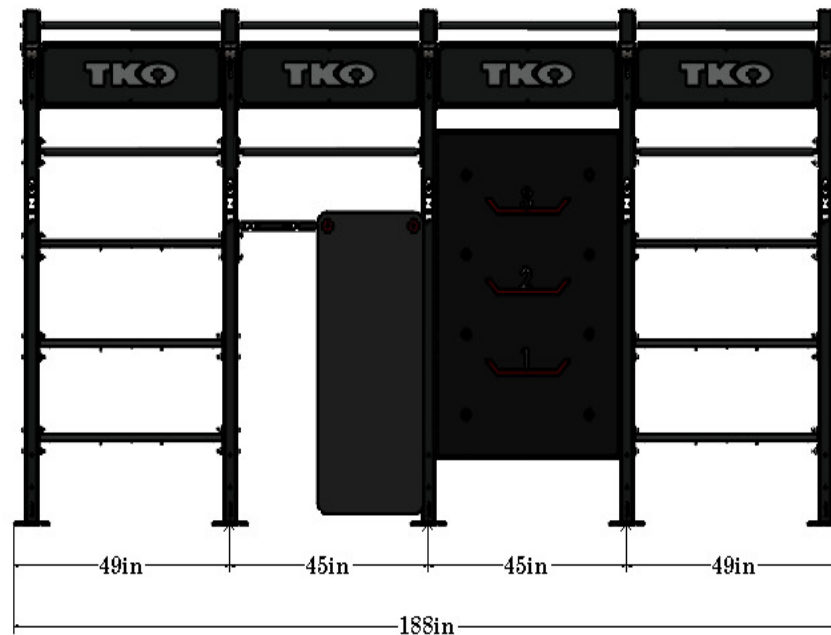
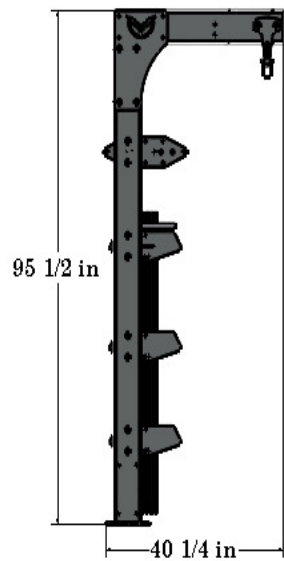
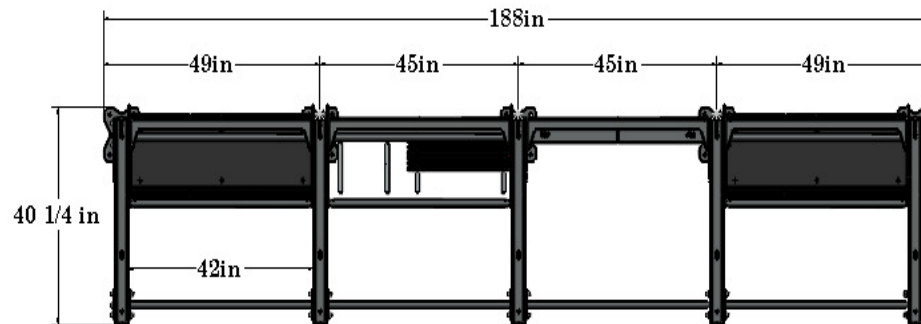
- Adjustable Ball Rack (3)
- 3-Way Swivel (5)
- Adjustable Tray Rack (6)
- Straight Pullup Bar (4)
- Adjustable Mat/Band Rack (1)
- Ball Target (1)



MADE IN
USA 

TKOSTRENGTH.COM | 1.866.856.3488





PRODUCT SPECIFICATION

DIMENSIONS: 188" x 40 1/4" x 95 1/2"
 FRAME COLOR: Matte Black

FEATURES & BENEFITS

- Modular Configuration
- Can be freestanding with a variety of foot options
- Customization available for uprights
- Expandible anytime
- Unique Shelving
- Compact Footprint

INCLUDES

- Adjustable Ball Rack (3)
- 3-Way Swivel (4)
- Adjustable Tray Rack (6)
- Straight Pullup Bar (3)
- Adjustable Mat/Band Rack (1)