

**DB-HRDS-848**

**| FUNCTIONAL FITNESS-SUSPENSION**

**| HALF RACK W/ DUAL STORAGE**

TKO's all new Defiant modular Suspension and Storage bay system are a great addition to any training facility. Gives any environment the ability to store med balls, wall balls, stability balls, kettlebells, dumbbells, mats and more. With a full line of unique shelving, you have the freedom to choose based on your needs. The Suspension capability is perfect for functional training areas, with a unique 3-Way Swivel to hold a variety of suspension trainers or heavy bags.

### PRODUCT SPECIFICATION

DIMENSIONS: 148" x 68 1/8" x 97 3/4"

FRAME COLOR: Matte Black

WARRANTY: Structural Frame=10yrs

Monkey bars, pull-up bars, ball targets=5yrs

Shelving, Racking, Pegs=1 year

### FEATURES & BENEFITS

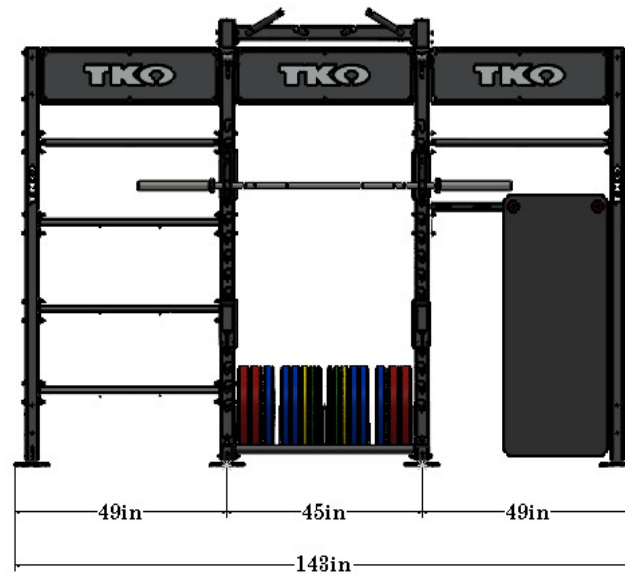
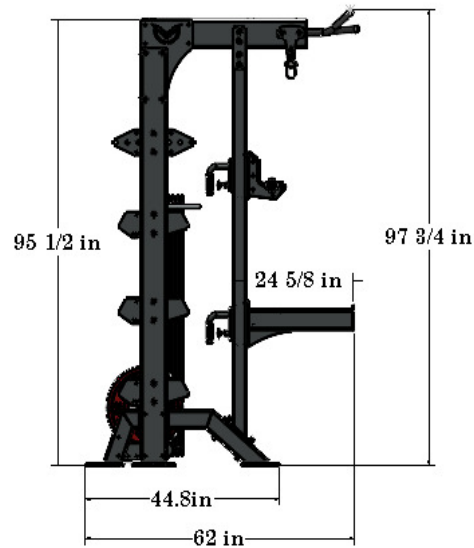
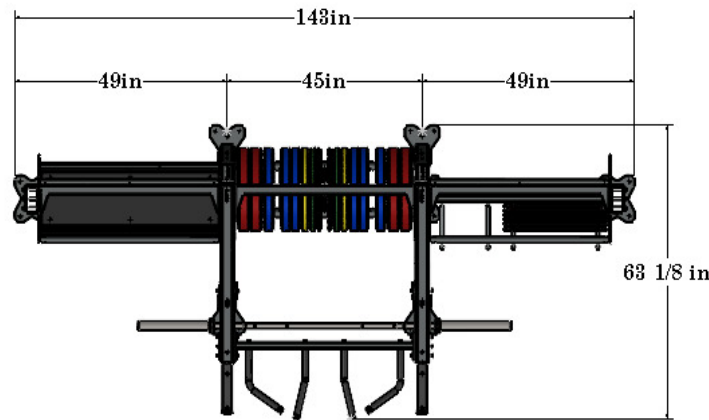
- Modular Configuration
- Can be freestanding with a variety of foot options
- Customization available for uprights
- Expandible anytime
- Unique Shelving
- Compact Footprint

### INCLUDES

- Adjustable Ball Rack (2)
- 3-Way Swivel (2)
- Adjustable Tray Rack (3)
- Deluxe Pullup Bar (1)
- Front/Rear Outriggers (2)
- Half Rack Attachment (1)
- J Hooks/Safety Spotters (1)
- Horizontal Bumper Storage (1)
- Adjustable Mat/Band Rack (1)



MADE IN  USA



**PRODUCT SPECIFICATION**

DIMENSIONS: 148" x 68 1/8" x 97 3/4"  
 FRAME COLOR: Matte Black

**FEATURES & BENEFITS**

- Modular Configuration
- Can be freestanding with a variety of foot options
- Customization available for uprights
- Expandible anytime
- Unique Shelving
- Compact Footprint

**INCLUDES**

- Adjustable Ball Rack (2)
- 3-Way Swivel (2)
- Adjustable Tray Rack (3)
- Deluxe Pullup Bar (1)
- Front/Rear Outriggers (2)
- Half Rack Attachment (1)
- J Hooks/Safety Spotters (1)
- Horizontal Bumper Storage (1)
- Adjustable Mat/Band Rack (1)