

DB-DHR

| FUNCTIONAL FITNESS-SUSPENSION

| DOUBLE HALF RACK

TKO's all new Defiant modular Suspension and Storage bay system are a great addition to any training facility. Gives any environment the ability to store med balls, wall balls, stability balls, kettlebells, dumbbells, mats and more. With a full line of unique shelving, you have the freedom to choose based on your needs. The Suspension capability is perfect for functional training areas, with a unique 3-Way Swivel to hold a variety of suspension trainers or heavy bags.

PRODUCT SPECIFICATION

DIMENSIONS: 122 1/4" x 77 3/8" x 97 3/4"

FRAME COLOR: Matte Black

WARRANTY: Structural Frame=10yrs

Monkey bars, pull-up bars, ball targets=5yrs

Shelving, Racking, Pegs=1 year

FEATURES & BENEFITS

- Modular Configuration
- Can be freestanding with a variety of foot options
- Customization available for uprights
- Expandible anytime
- Unique Shelving
- Compact Footprint

INCLUDES

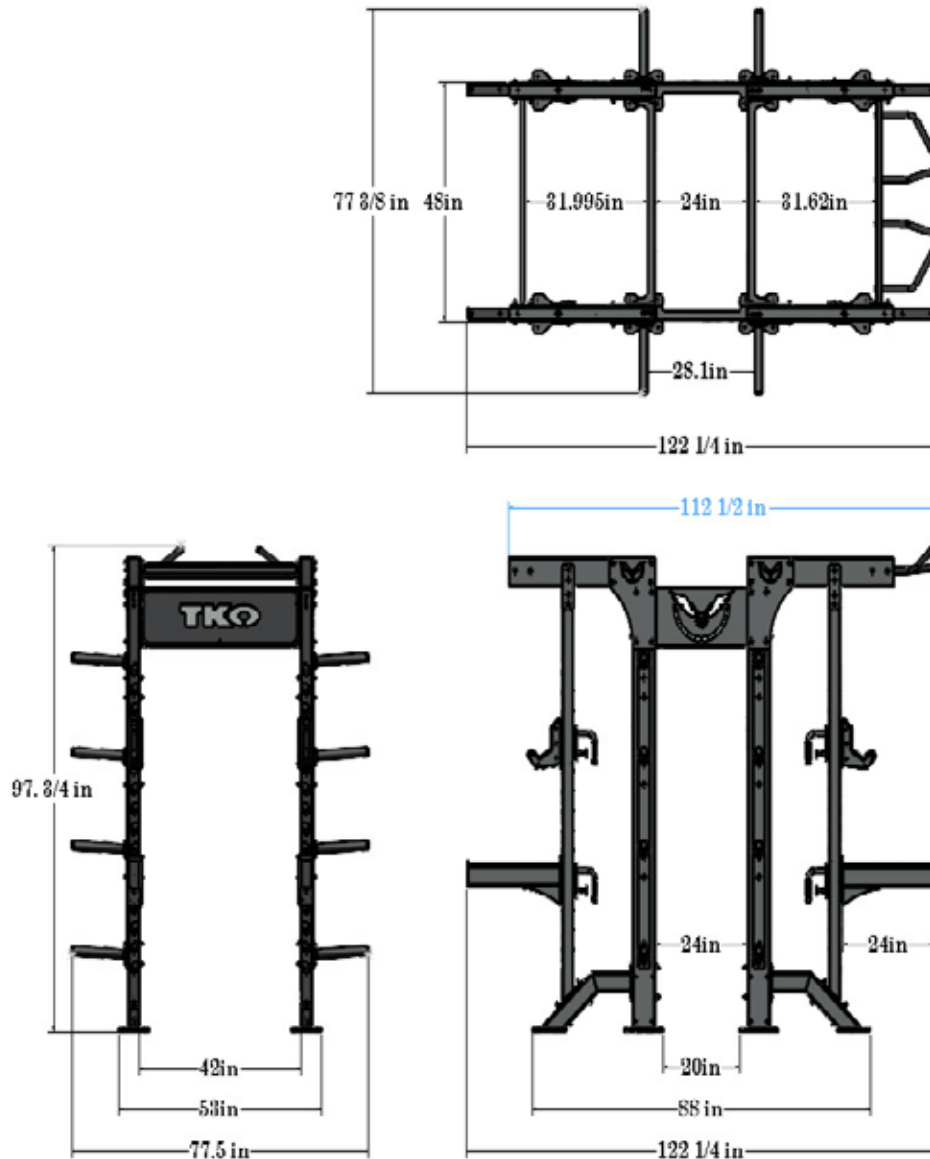
- Deluxe Pullup Bar (1)
- Straight Pullup Bar (1)
- Side Mount Plate Storage (4)
- Front Outriggers (4)
- Half Rack Attachment (2)
- J Hooks/Safety Spotters (2)



MADE IN  USA

TKOSTRENGTH.COM | 1.866.856.3488



**PRODUCT SPECIFICATION**

DIMENSIONS: 122 1/4" x 77 3/8" x 97 3/4"
 FRAME COLOR: Matte Black

FEATURES & BENEFITS

- Modular Configuration
- Can be freestanding with a variety of foot options
- Customization available for uprights
- Expandible anytime
- Unique Shelving
- Compact Footprint

INCLUDES

- Deluxe Pullup Bar (1)
- Straight Pullup Bar (1)
- Side Mount Plate Storage (4)
- Front Outriggers (4)
- Half Rack Attachment (2)
- J Hooks/Safety Spotters (2)