

TKO's all new Defiant modular Suspension and Storage bay system are a great addition to any training facility. Gives any environment the ability to store med balls, wall balls, stability balls, kettlebells, dumbbells, mats and more. With a full line of unique shelving, you have the freedom to choose based on your needs. The Suspension capability is perfect for functional training areas, with a unique 3-Way Swivel to hold a variety of suspension trainers or heavy bags.

PRODUCT SPECIFICATION

DIMENSIONS: 197.5" x 61.908" x 95.5"

FRAME COLOR: Matte Black

WARRANTY: Structural Frame=10yrs
 Monkey bars, pull-up bars, ball targets=5yrs
 Shelving, Racking, Pegs=1 year

FEATURES & BENEFITS

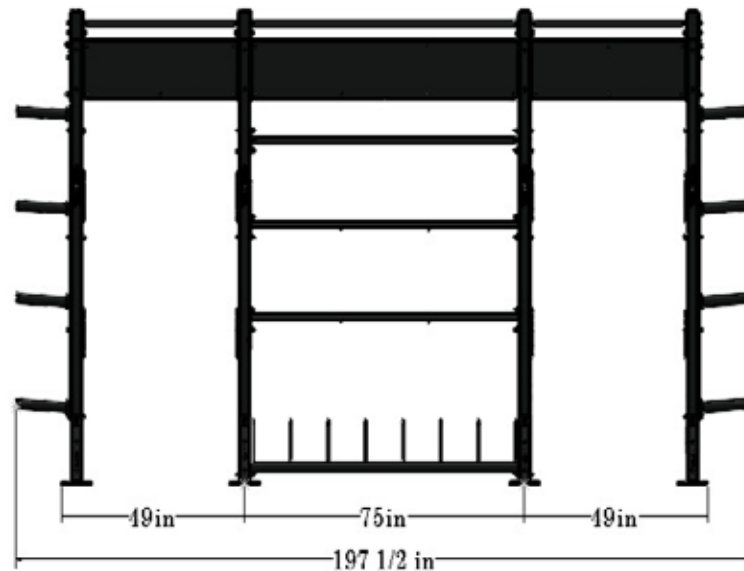
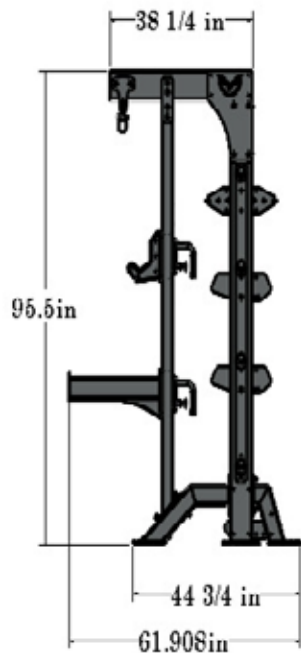
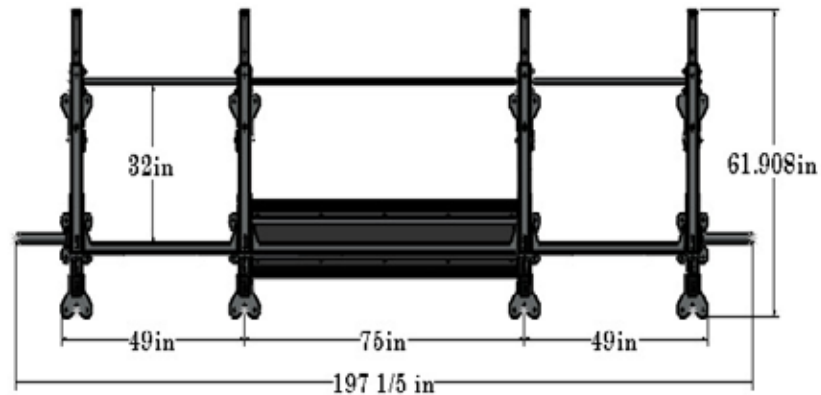
- Modular Configuration
- Can be freestanding with a variety of foot options
- Customization available for uprights
- Expandible anytime
- Unique Shelving
- Compact Footprint

INCLUDES

- Adjustable Ball Rack (1)
- 3-Way Swivel (4)
- Adjustable Tray Rack (2)
- Straight Pullup Bar (3)
- Side Mount Plate Storage (2)
- Front/Rear Outriggers (4)
- Half Rack Attachment (2)
- J Hooks/Safety Spotters (2)
- Horizontal Bumper Storage (1)



MADE IN
USA 



PRODUCT SPECIFICATION

DIMENSIONS: 197.5" x 61.908" x 95.5"
FRAME COLOR: Matte Black

FEATURES & BENEFITS

- Modular Configuration
- Can be freestanding with a variety of foot options
- Customization available for uprights
- Expandible anytime
- Unique Shelving
- Compact Footprint

INCLUDES

- Adjustable Ball Rack (1)
- 3-Way Swivel (4)
- Adjustable Tray Rack (2)
- Straight Pullup Bar (3)
- Side Mount Plate Storage (2)
- Front/Rear Outriggers (4)
- Half Rack Attachment (2)
- J Hooks/Safety Spotters (2)
- Horizontal Bumper Storage (1)