

**DB-CSU-848**

**| FUNCTIONAL FITNESS-SUSPENSION**

**| CORNER SUSPENSION BAY**

TKO's all new Defiant modular Suspension and Storage bay system are a great addition to any training facility. Gives any environment the ability to store med balls, wall balls, stability balls, kettlebells, dumbbells, mats and more. With a full line of unique shelving, you have the freedom to choose based on your needs. The Suspension capability is perfect for functional training areas, with a unique 3-Way Swivel to hold a variety of suspension trainers or heavy bags.

### **PRODUCT SPECIFICATION**

DIMENSIONS: 84 3/4" x 71 5/8" x 97 3/4"

FRAME COLOR: Matte Black

WARRANTY: Structural Frame=10yrs

Monkey bars, pull-up bars, ball targets=5yrs

Shelving, Racking, Pegs=1 year

### **FEATURES & BENEFITS**

- Modular Configuration
- Can be freestanding with a variety of foot options
- Customization available for uprights
- Expandible anytime
- Unique Shelving
- Compact Footprint

### **INCLUDES**

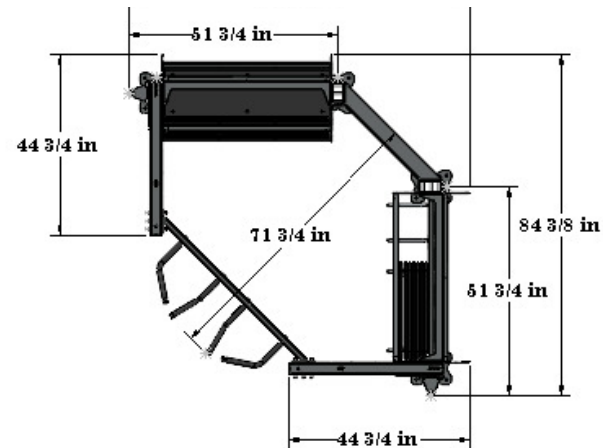
- Adjustable Ball Rack (2)
- 3-Way Swivel (2)
- Adjustable Tray Rack (3)
- Deluxe Pullup Bar (1)
- Vertical Utility Poles (2)
- Adjustable Mat/Band Rack (1)



MADE IN  USA

TKOSTRENGTH.COM | 1.866.856.3488



**PRODUCT SPECIFICATION**

DIMENSIONS: 84 3/4" x 71 5/8" x 97 3/4"  
 FRAME COLOR: Matte Black

**FEATURES & BENEFITS**

- Modular Configuration
- Can be freestanding with a variety of foot options
- Customization available for uprights
- Expandible anytime
- Unique Shelving
- Compact Footprint

**INCLUDES**

- Adjustable Ball Rack [2]
- 3-Way Swivel [2]
- Adjustable Tray Rack [3]
- Deluxe Pullup Bar [1]
- Vertical Utility Poles [2]
- Adjustable Mat/Band Rack [1]

