

DB-CSSU-848 | FUNCTIONAL FITNESS-SUSPENSION | CORNER STORAGE SUSPENSION BAY

TKO's all new Defiant modular Suspension and Storage bay system are a great addition to any training facility. Gives any environment the ability to store med balls, wall balls, stability balls, kettlebells, dumbbells, mats and more. With a full line of unique shelving, you have the freedom to choose based on your needs. The Suspension capability is perfect for functional training areas, with a unique 3-Way Swivel to hold a variety of suspension trainers or heavy bags.

PRODUCT SPECIFICATION

DIMENSIONS: 125 1/8" x 125 1/8" x 97 3/4"

FRAME COLOR: Matte Black

WARRANTY: Structural Frame=10yrs
Monkey bars, pull-up bars, ball targets=5yrs
Shelving, Racking, Pegs=1 year

FEATURES & BENEFITS

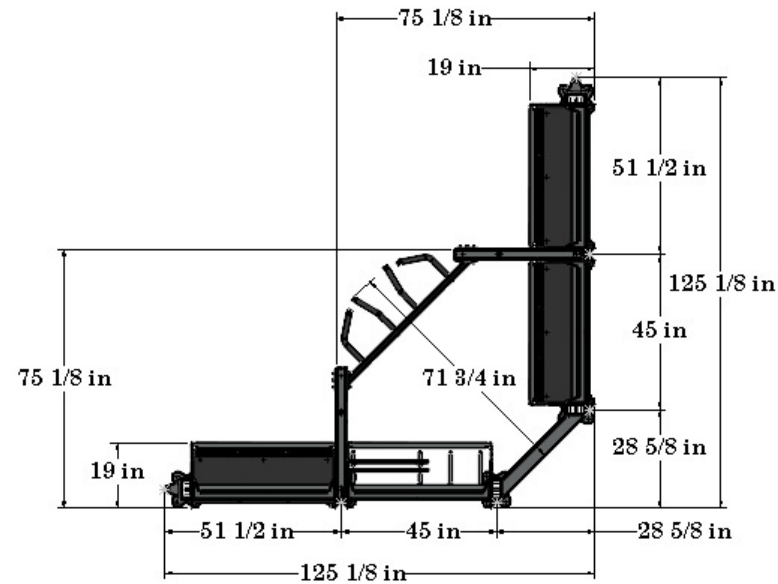
- Modular Configuration
- Can be freestanding with a variety of foot options
- Customization available for uprights
- Expandible anytime
- Unique Shelving
- Compact Footprint

INCLUDES

- Adjustable Ball Rack (4)
- 3-Way Swivel (2)
- Adjustable Tray Rack (9)
- Deluxe Pullup Bar (1)
- Vertical Utility Poles (2)
- Adjustable Mat/Band Rack (1)



MADE IN  USA



PRODUCT SPECIFICATION

DIMENSIONS: 125 1/8" x 125 1/8" x 97 3/4"
 FRAME COLOR: Matte Black

FEATURES & BENEFITS

- Modular Configuration
- Can be freestanding with a variety of foot options
- Customization available for uprights
- Expandible anytime
- Unique Shelving
- Compact Footprint

INCLUDES

- Adjustable Ball Rack (4)
- 3-Way Swivel (2)
- Adjustable Tray Rack (9)
- Deluxe Pullup Bar (1)
- Vertical Utility Poles (2)
- Adjustable Mat/Band Rack (1)

