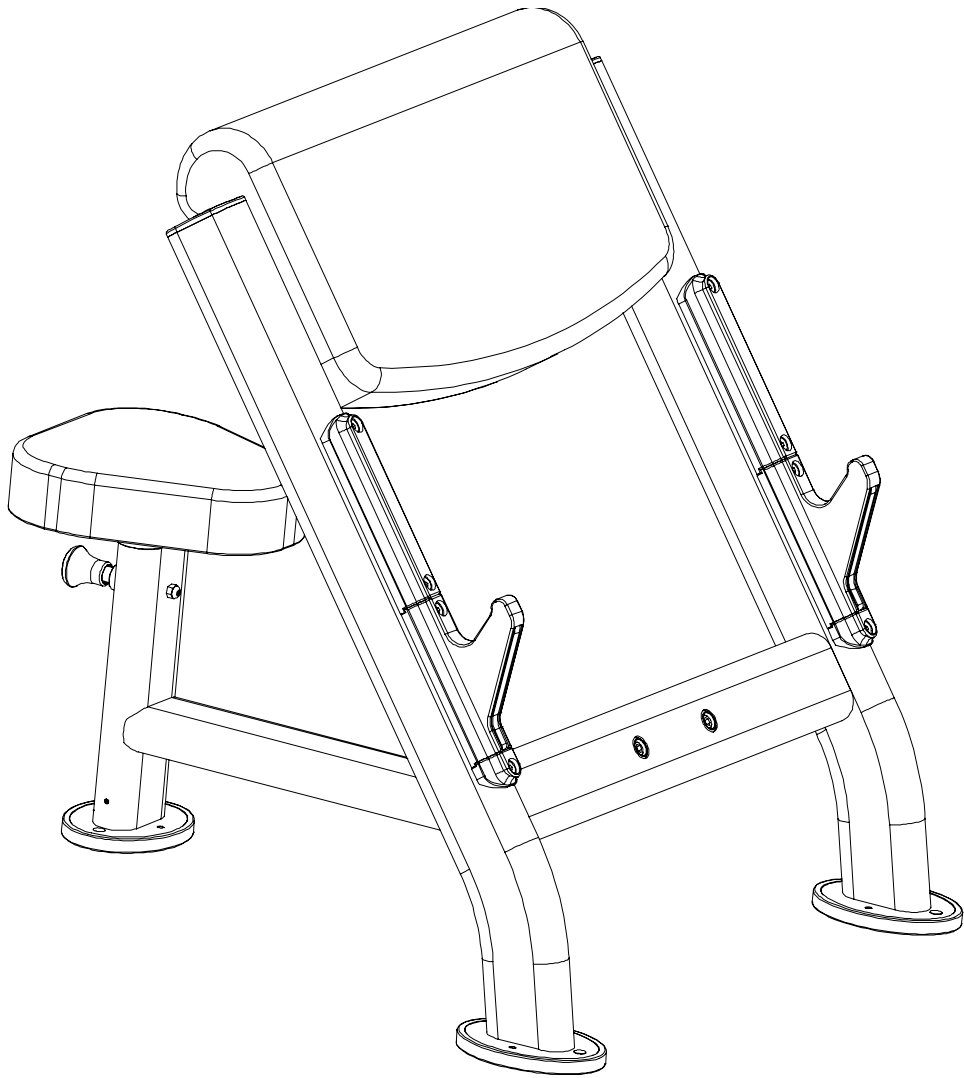


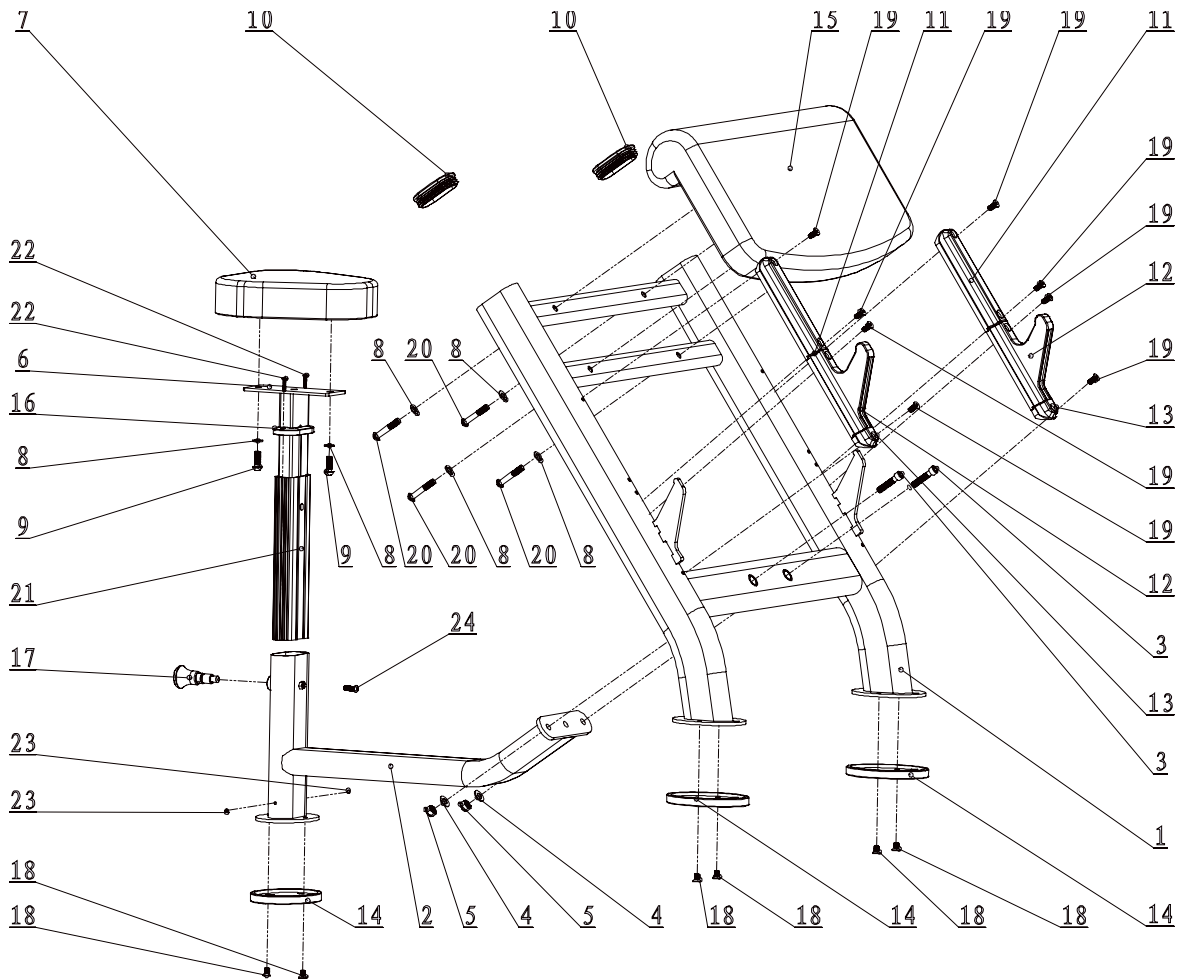


Preacher Curl Bench
Model 867PB



PARTS LIST

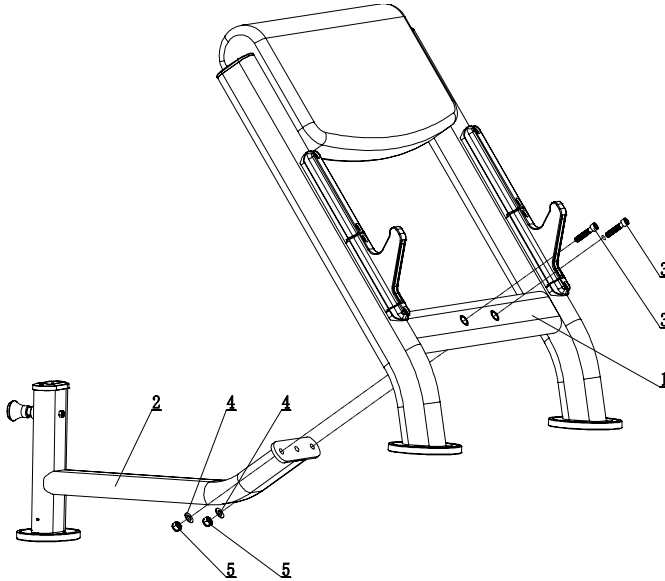
NO.	PART NAME	Q'TY	NO.	PART NAME	Q'TY
1	Arm Frame	1	13	Lower cover 37*50*34	2
2	Seat Support Frame	1	14	Foot 169*129*16	3
3	Hex Bolt M12*60	2	15	Arm pad 670*360*70	1
4	Washer $\Phi 13.5 \times \Phi 24 \times 2.5$	2	16	Sleeve cap 50*100	1
5	Nut M12	2	17	Knob	1
6	Seat Adjustable Frame	1	18	Hex bolt M8*15	6
7	Seat Pad	1	19	Hex bolt M8*20	8
8	Washer $\Phi 11 \times \Phi 20 \times 2$	6	20	Hex bolt M10*60	4
9	Hex Bolt M10*30	2	21	Sleeve 94.4*44.8*320	1
10	End cap PT50*100	2	22	Screw ST4.2*25	2
11	Upper cover 220*50*34	2	23	Screw M6*6	2
12	Cover 183*114*50	2	24	Hex bolt M8*25	1



ASSEMBLY

STEP 1

Assembly Arm Frame (1) and Seat Support Frame (2), using 2 Hex Bolt M12*60 (3) ,2 Washer Φ 13.5* Φ 24*2.5(4) and 2 Nut M12(5).Then tight them.



STEP 2

1. Fix Seat Pad(7) to Seat Adjustable Frame(6), using 2 Hex Bolt M10*30(9) and 2 Washer Φ 11* Φ 20*2 (8) ,then tight them.
2. Put Seat Adjustable Frame(6) into Seat Support Frame (2) ,and install Hex bolt M8*25(24) as limit.

