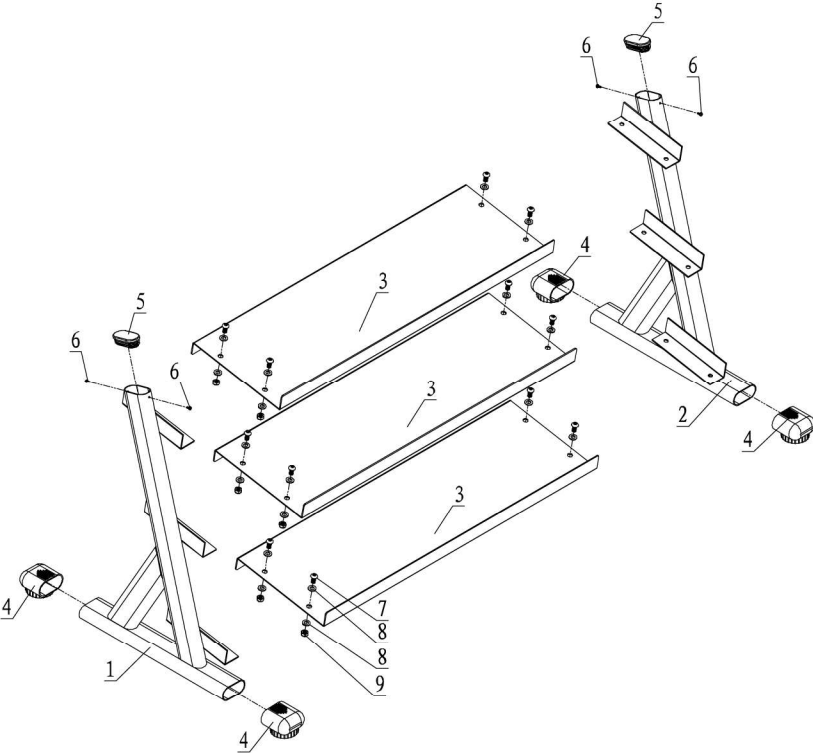


# Model 6235-B 3-Tier Shelf DB Rack



No.	Part	Description	Qty
1	Left Upright Frame		1
2	Right Upright Frame		1
3	Tray	970*315*85*3	3
4	Shoe	PT40*80	4
5	End Cap	PT40*80*3	2
6	Cross Pan Screw	ST4.2*13	4
7	Hex Bolt	M10*20	12
8	Flat Washer	Ø11* Ø20*2	24
9	Nut	M10	12