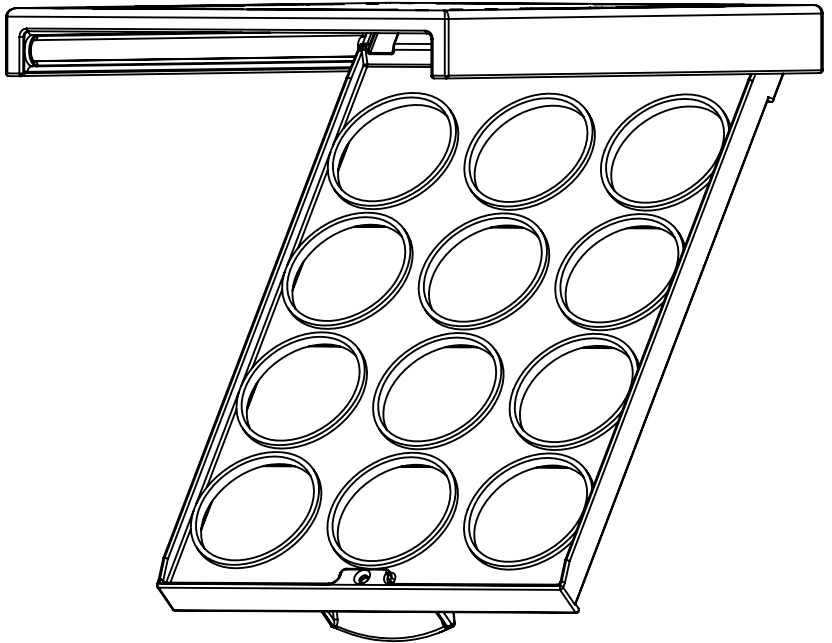


# EZ-Shelf™

## INSTRUCTION MANUAL



*Please read the instruction booklet carefully before use.*

**SAVE THESE INSTRUCTIONS  
HOUSEHOLD USE ONLY**

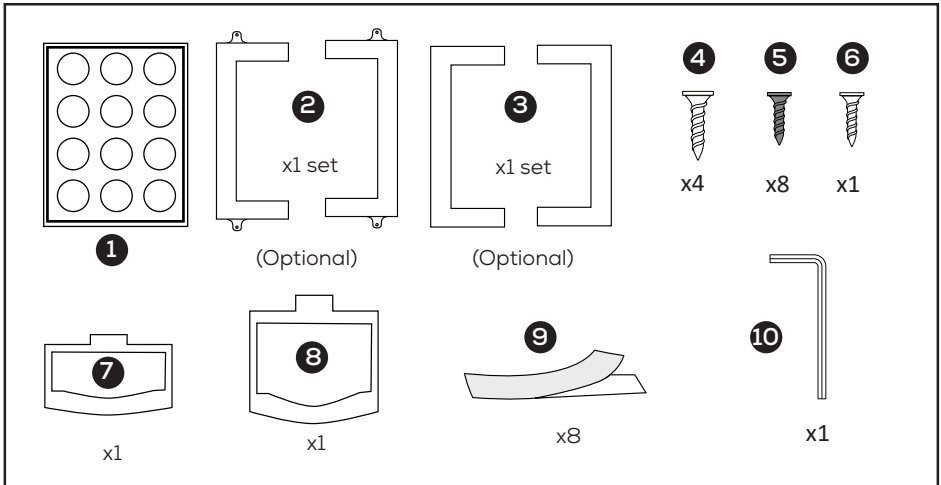


©2016 ARM Enterprises, Inc.  
16141 Heron Ave. La Mirada, CA 90638

Visit our Website:  
[www.perfectpod.com](http://www.perfectpod.com)

For Customer Service:  
Call 888-735-3621

## KNOW YOUR EZ-SHELF:



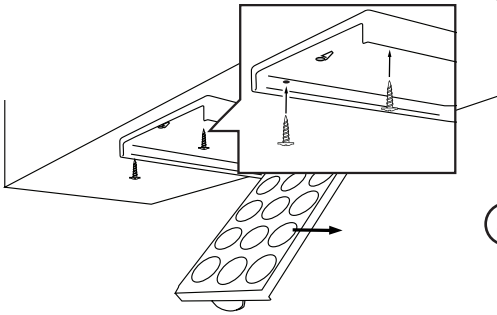
### IMPORTANT:

- Do not over tighten screws
- It is recommended to use either Mounting Screws or Double Sided Tape during install.

- 1. EZ-Shelf** - The EZ-Shelf™ is the lowest profile under cabinet storage solution on the market. A simple magnetic catch and unique 2-point pivot hinge system allows the EZ-Shelf™ to open easily at any position from fully retracted to fully extended.
- 2. Spacers with Cabinet Mounting** - Spacer is used as an extension to fit underneath cabinets that have a longer lip and or having light fixtures.
- 3. Spacers without Cabinet Mounting** - Extended spacer is needed only if the desired length is not met.
- 4. Mounting Screws** - These screws are to be used to screw in the EZ-Shelf™ to the cabinet.
- 5. Spacer Screws** - These screws are used to only connect the EZ-Shelf™ to the Spacers.
- 6. Handle Screw** - The screw is needed to connect the desired Handle length and for the locking mechanism to work properly.
- 7. Short handle** - This is a standard handle length
- 8. Long Handle** - To be used to adapt to any cabinet style.
- 9. Double Sided Mounting Tape (Optional)**- Can be used instead of the Mounting Screws. For optimal results it is recommended to NOT use both Mounting Screws and Double Sided Tape together during install.
- 10. Handle Tool** - This tool is to be used with the Handle Screw to connect the desired handle to the EZ-Shelf™.

## HOW TO INSTALL:

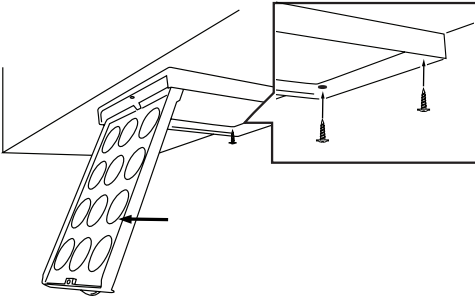
FIGURE 1:



- ① Be sure to align the EZ-Shelf™. Open the EZ-Shelf™ and begin screwing in (2) “**Mounting Screws**” through of the inside of the EZ-Shelf™. (See Figure 1)

- ② Move the tray forward and use another (2) “**Mounting Screws**” to mount to the surface underneath the cabinet. (See Figure 2)

FIGURE 2:

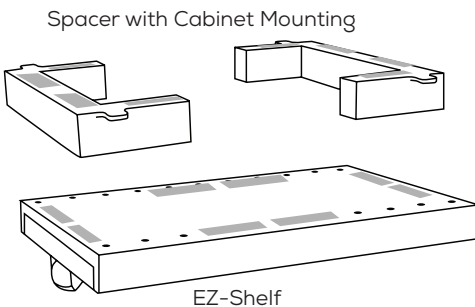


### NOTE:

- If the EZ-Shelf™ does not sit flush and is difficult to operate due to the depth of the cabinet space consider using the **Long Handle** or a combination of “**Spacers**”. (See Figure 4)

## Double Sided Mounting Tape:

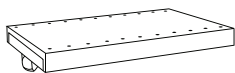
FIGURE 3:



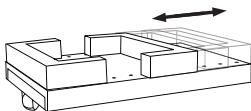
### NOTES:

- (OPTIONAL) **Double Sided Mounting Tape** is included if you wish to not drill into the surface under the cabinet .
- It is recommended to use either **Mounting Screws** or **Double Sided Tape** during install.
- There are double sided tape indicators on the **EZ-Shelf™** and the **Spacer with Cabinet Mounting**. (See Figure 3)

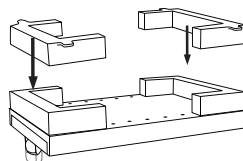
## WHY THE SPACERS AND EXTRA HANDLES?



The EZ-Shelf™ is narrow so it will fit in even the tightest environments.



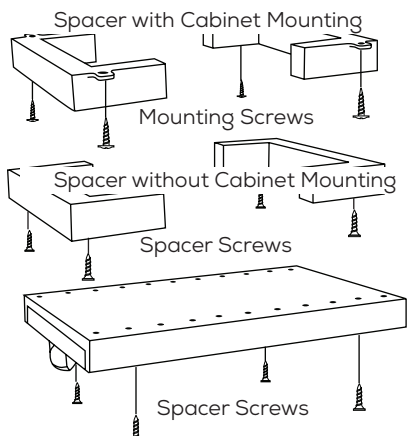
Cabinets are all different, so the EZ-Shelf™ is designed to be versatile.



With the included spacers and two different length handles, the EZ-Shelf™ can be configured for any cabinet style.

## Extended Spacer Option:

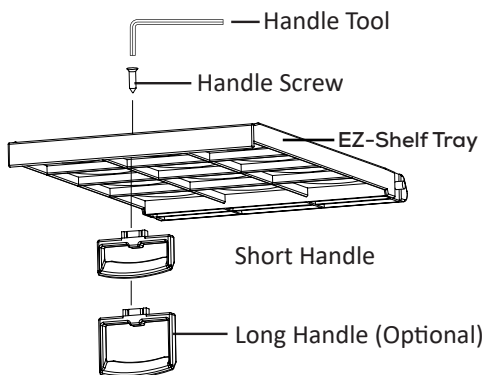
FIGURE 4:



- Install spacers with or without the **Spacer without Cabinet Mounting** . (See Figure 4)
- If using **Double Sided Mounting Tape**, attach spacers with **Spacer Screws** first than use the **Double Sided Mounting Tape** on the **Spacer with Cabinet Mounting**. (See Figure 3 for double sided tape indicators)

## HOW TO AND INSTALL HANDLE OPTIONS:

FIGURE 5:



- Place the desired handle in the correct position on the bottom of the tray and attach the Handle Screw using the Handle Tool from the top of the tray to the desired handle. (See Figure 5)

### IMPORTANT:

- Do not over tighten screws
- Locking Mechanism will NOT work until handle is installed.