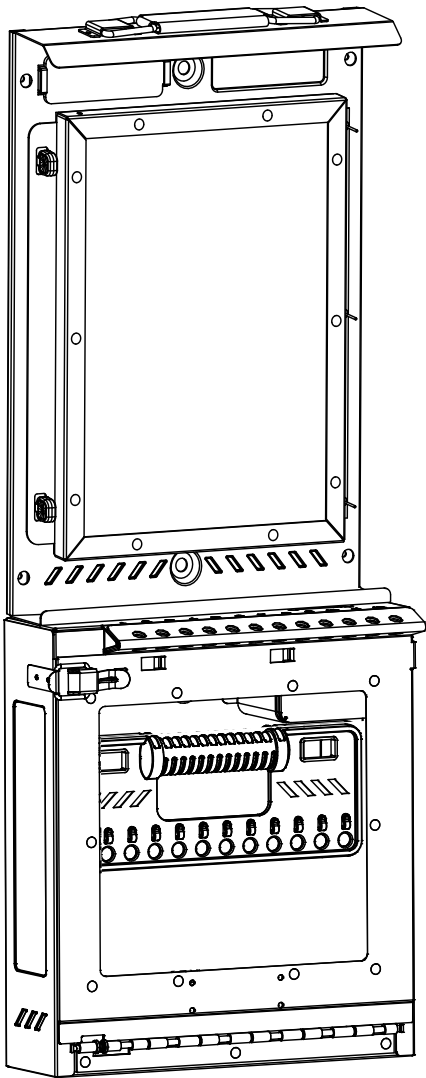
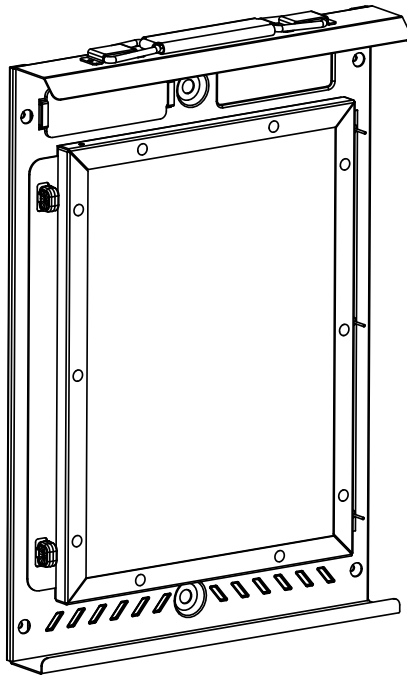


Master Lock®

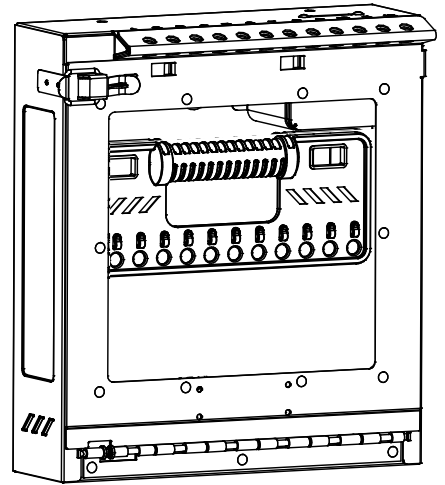
S3500



S3501



S3502



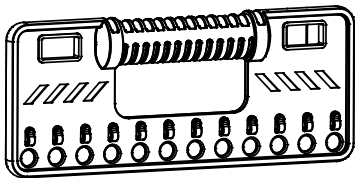
Assembly Hardware Included • Quincaillerie d'assemblage comprise
Incluye tornillos para ensamble



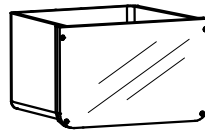
S3500	4x	4x
S3501	2x	2x
S3502	2x	2x

Wall Mounting Hardware Not Included • Quincaillerie de montage mural non comprise
No incluye tornillos para montaje en pared

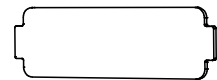
Replacement Parts • Pièces de rechange • Piezas de repuesto



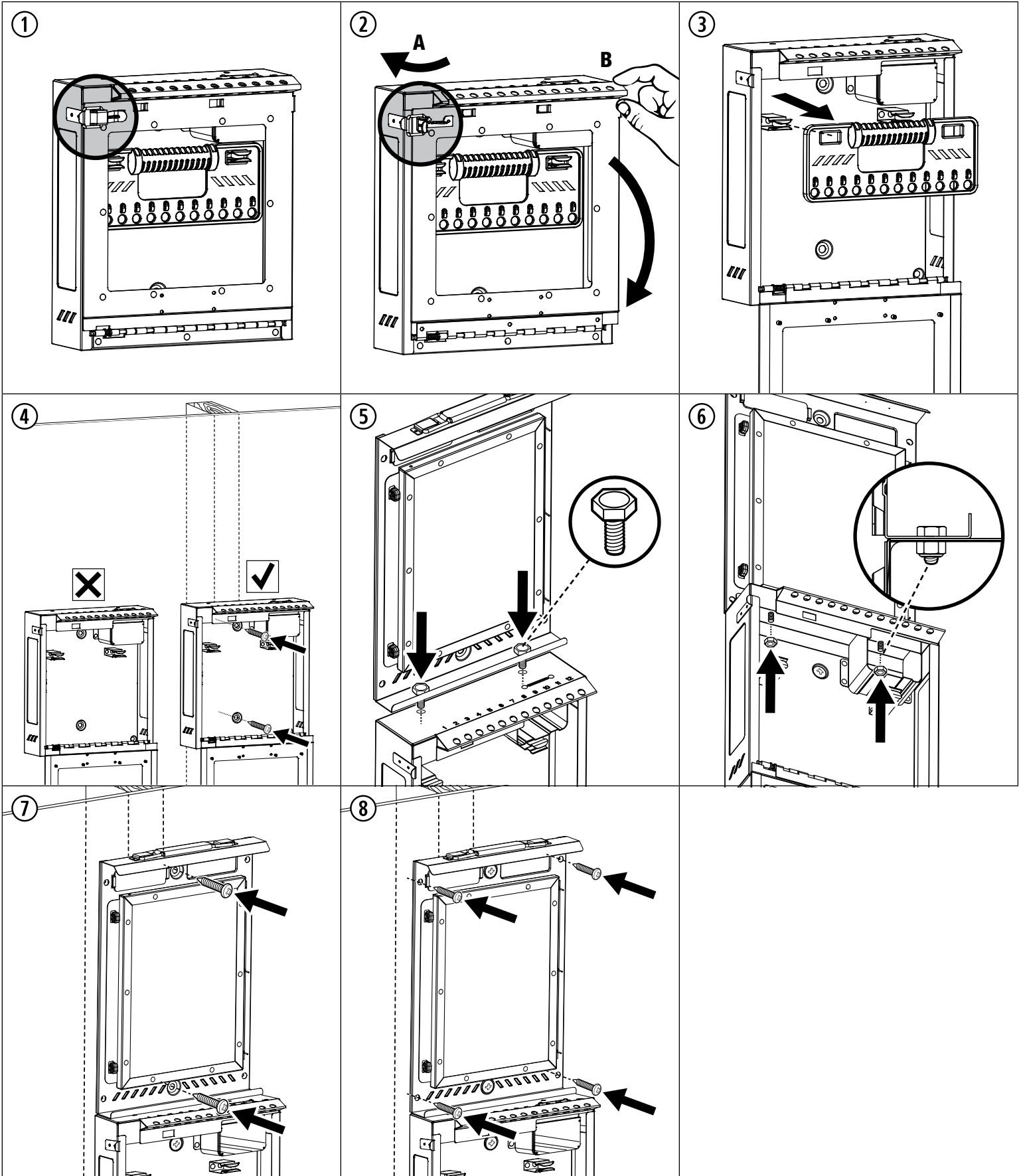
S3503

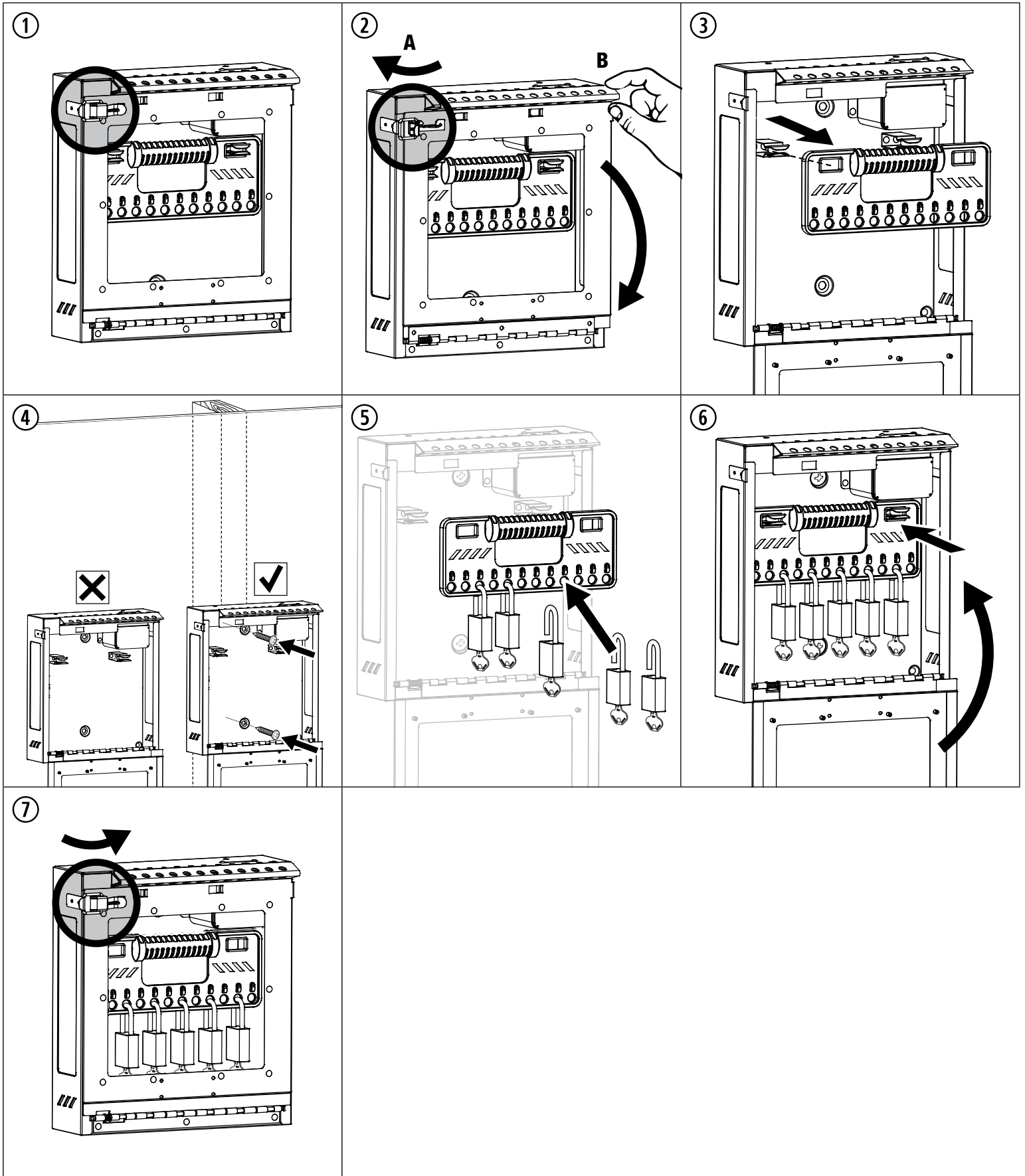


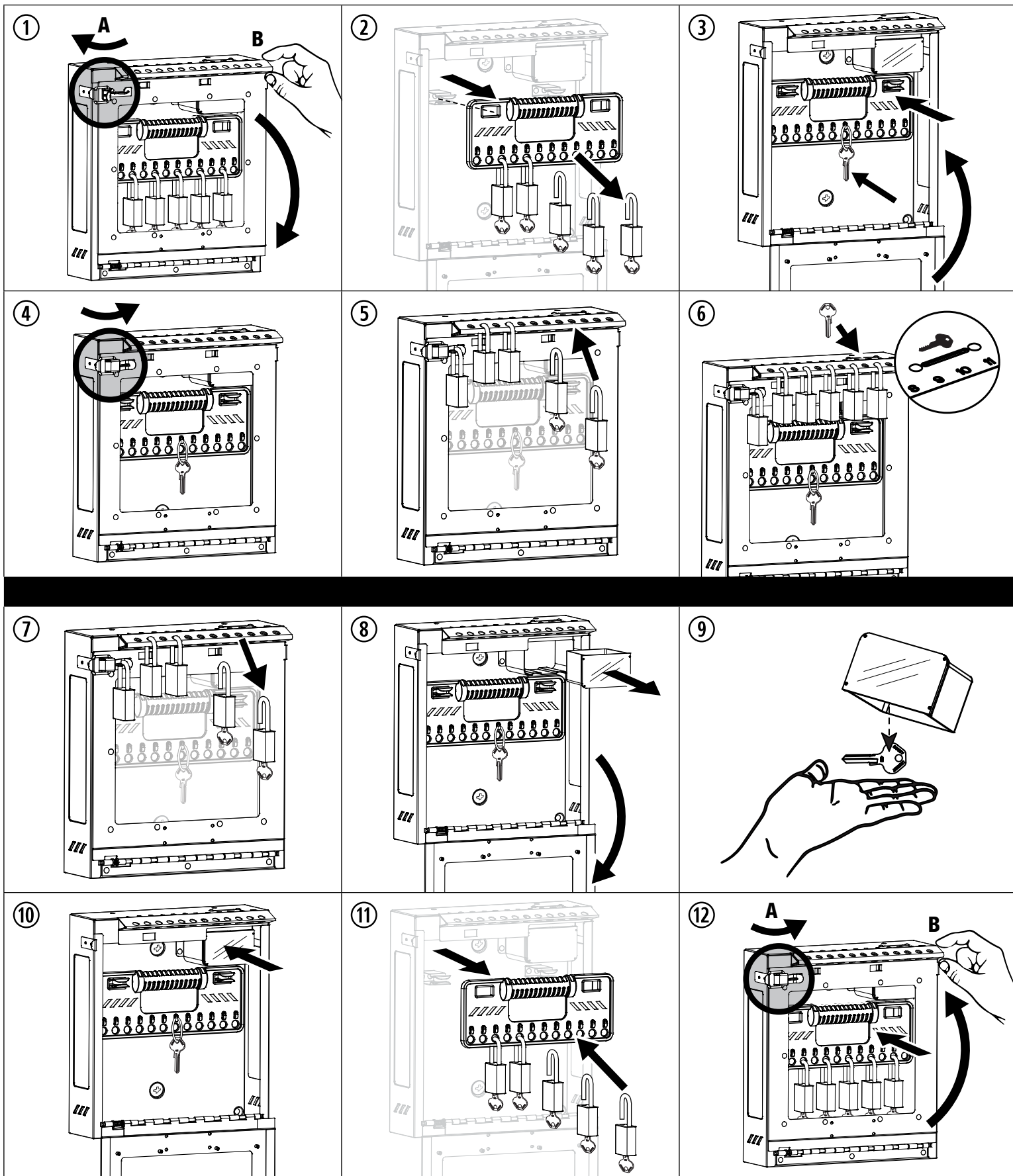
PKGP50837

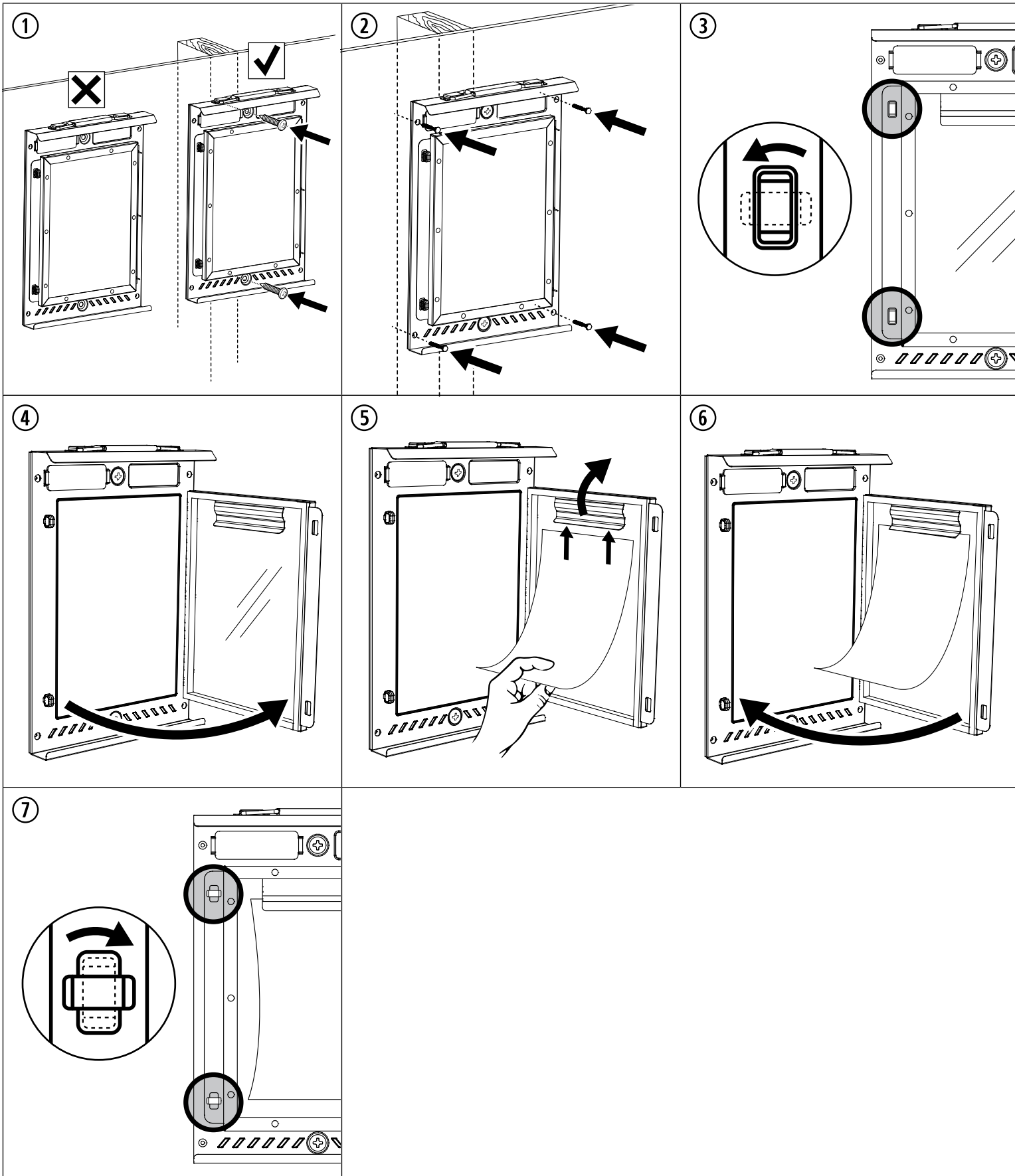


PKGP44055





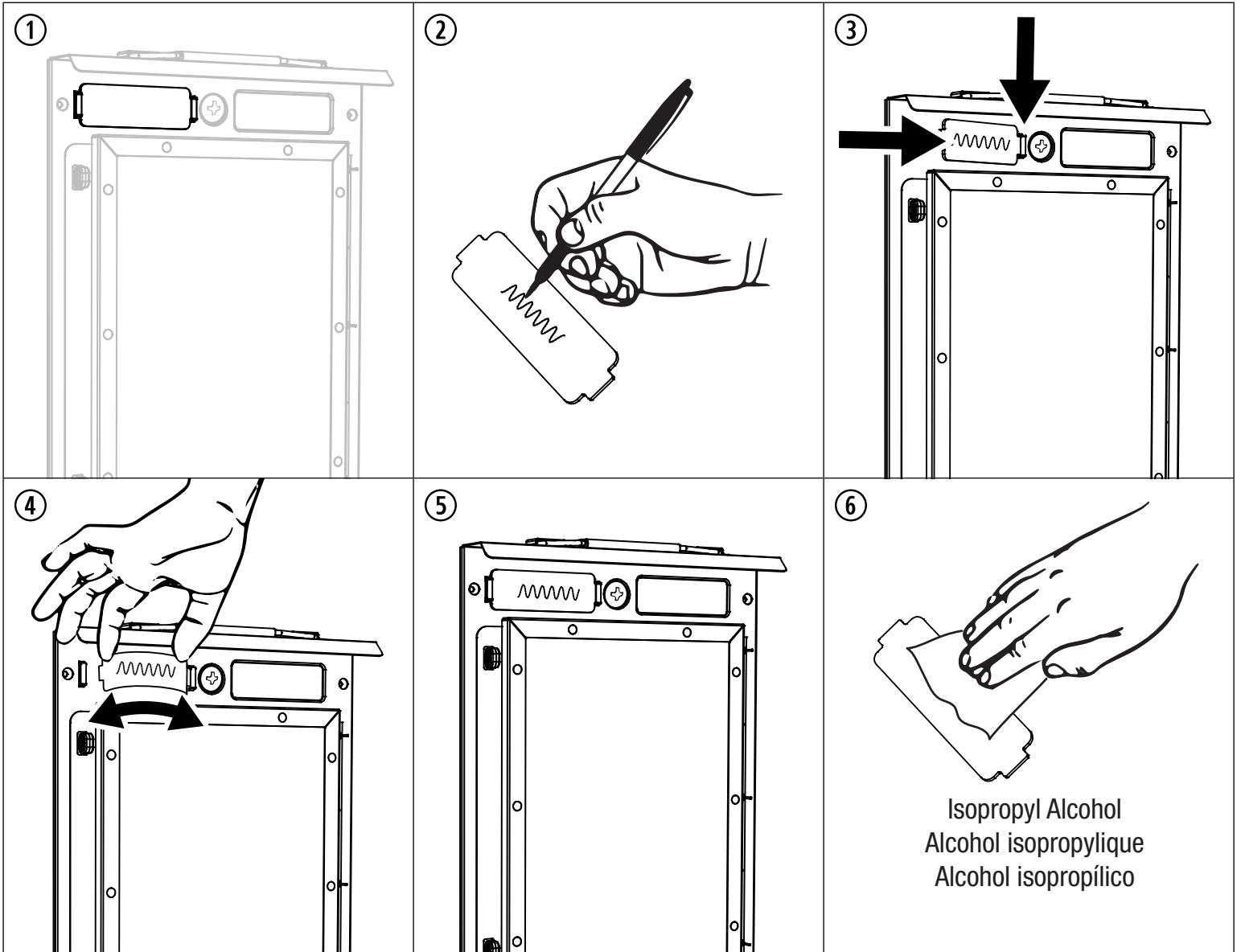




S3501



Rewritable Tag Instructions • Directives pour l'étiquette réinscriptible
Instrucciones en etiquetas reescribibles



www.masterlocksafety.com • www.masterlock.com

© 2017 Master Lock Company LLC | All Rights Reserved

Master Lock Company LLC, Milwaukee, WI 53210 U.S.A. | 800-308-9244

Master Lock Canada Inc., Mississauga, Ontario L5L 5Z9 | (800) 227-9599 | Fax: (800) 229-0081

Master Lock Europe, 10 Avenue de l'Arche - Le Colisée Gardens, 92 400 Courbevoie, France, 00 33 1 41 43 72 00, E-mail: safety@master-lock.fr

Master Lock Europe-UK Office, Wakes Colne, Colchester CO6 2DB, UK, 0044.1.787.222.027, E-mail: safetyeu@mlock.com

玛斯特锁贸易(上海)有限公司 上海市浦东新区银城中路168号上海银行大厦1006室 400-820-6535 E-mail: safetychina@mlock.com

マスターロック・セントリー日本株式会社 141-0022 東京都品川区東五反田 2-20-4 NOF高輪ビル 4F 03-5447-5311 E-mail: ML_web@mlsj.jp