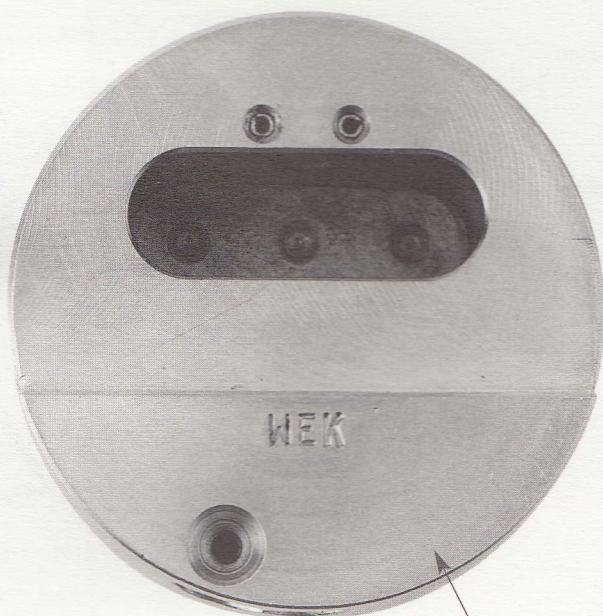
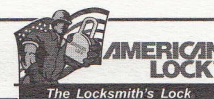
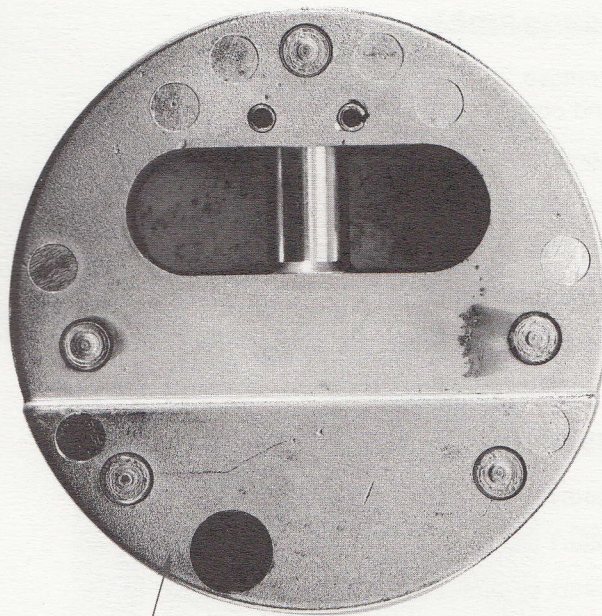


American Lock Series A2000 & A210



Body
A2010



Body
A2000



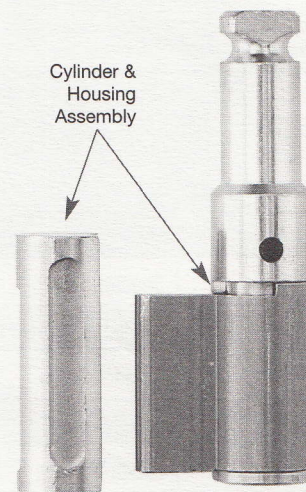
Set Screw

Disassembly

- Remove 3/32" hex retaining screw
- Remove cylinder assembly
- Remove roll pin
- Rekey as required

Assembly

- Insert roll pin
- Insert cylinder assembly and lock into place
- Replace retaining screw



Part number	Description
APT2001	6 pin cylinder and shackle assembly
APT2001U	Uncombined 6 pin cylinder and shackle assembly
APKG0000220	Retaining screw
APKG0000431	A2000 and A2000WO cylinder housing
APKG3023010	A2010 and A2010WO cylinder housing