



BRAUN 

BRAUN MACHINERY ENABLES YOU TO NURTURE THE BLESSINGS OF THE VINES



**PURPOSE DESIGNED AND
PRODUCED IN THE HEART
OF VINEYARD COUNTRY**

BRAUN Vine Trunk Cleaner

RP W 1 und RP W 2



VINE TRUNK CLEANER *RP W1* | *RP W2*

- 1 For the removal of vine suckers
- 2 Springtime maintenance such as growth between the vines can be controlled
- 3 Clears vine pruning's from under vines in preparation for mulching



BRAUN Vine Trunk Cleaner. The original.

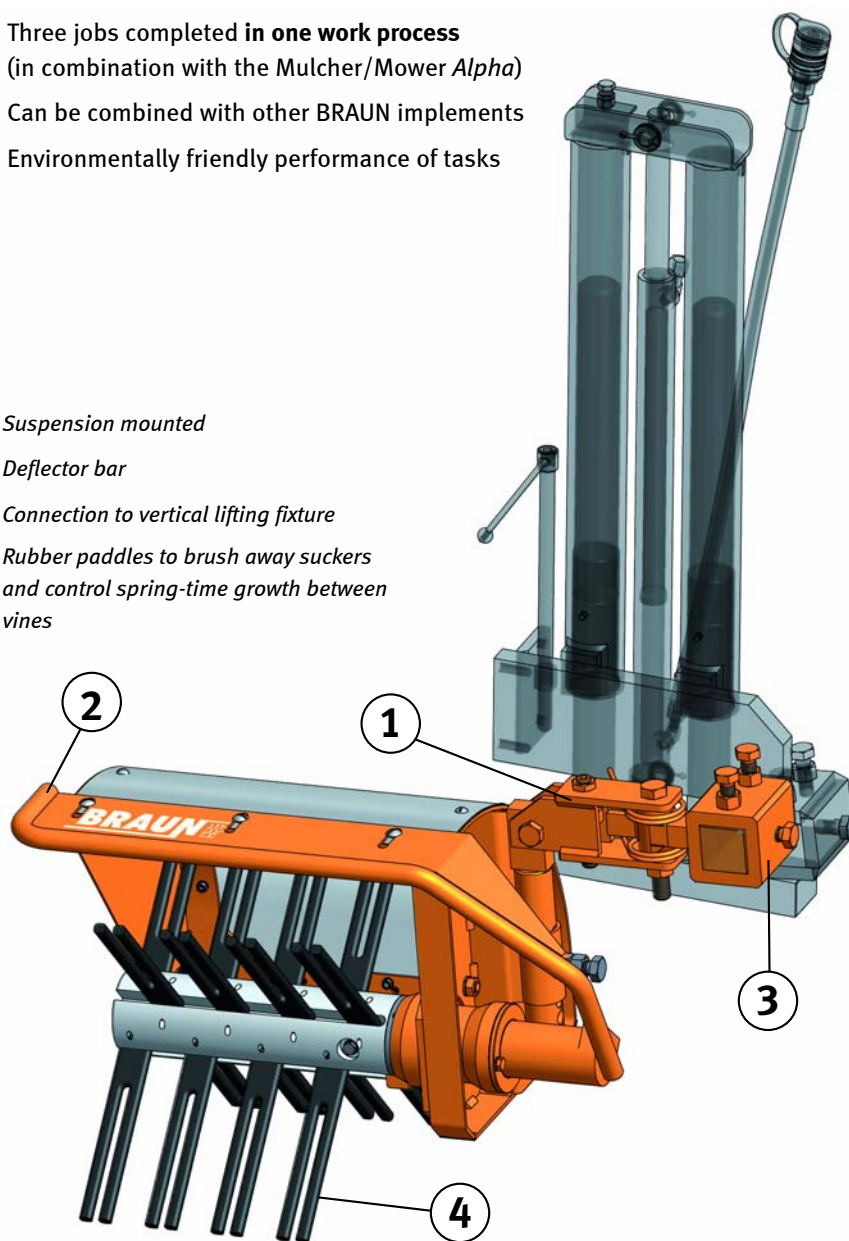
The implement for viticulture

Our Vine Trunk Cleaner is designed to be industry applicable for **efficient and environmental work** around the vine. With its **modular construction**, you can mount this implement on the BRAUN Mulcher/Mower *Alpha* and *Avant*, and on the BRAUN Cultivator *Vario* or on the Universal Cultivator frame. This allows all spring maintenance jobs to be completed in **one** step. Vine Trunk Cleaner *RP W1* and *RP W2* – two implements that facilitate the ecological management of your vineyard in numerous ways.

Distinctive BRAUN advantages are:

- Three jobs completed in **one work process** (in combination with the Mulcher/Mower *Alpha*)
- Can be combined with other BRAUN implements
- Environmentally friendly performance of tasks

- 1 Suspension mounted
- 2 Deflector bar
- 3 Connection to vertical lifting fixture
- 4 Rubber paddles to brush away suckers and control spring-time growth between vines



Technical Data

Working height

RP W 1	350 mm
RP W 2	600 mm

Oil Requirements

One-sided	20 l/min.
Double-sided	20 l/min.

The BRAUN Modular system of the Vine Trunk Cleaner *RP W 1* / *RP W 2* facilitates the combination of many work processes



Rear-mounted Mulcher/Mower

For mulching the vine trunk wood in spring or controlling grass throughout the year. Combining several BRAUN implements and attachments ensures your work is efficient and environmentally friendly. Soil compaction is reduced as a result of fewer tractor passes.



Mid-axle mounted LUV *Perfekt*

The mid-axle with disc-plow produces a cleanly cut grassed isle, with the elimination of all weeds between the vines. All lower vine trunk work can be accomplished using a combination of other BRAUN modules.



Front-mounted Vine Trunk Cleaner *RP W 1*

For sucker removal with the vine trunk cleaner in front, with the LUV mounted in the mid-axle position and the Mulcher/Mower mounted at the rear, it is possible to accomplish all spring-time work in one pass.



VINETRUNK AREA CLEARED WITHOUT CHEMICALS



Vine Trunk Cleaner RP W 1 (single rotating shaft) front-mounted with over-row frame
 With the over-row frame you can cultivate terraced terrain by adjusting the inner wheel cylinder. This way you only need to keep your eye on one row at a time.



Vine Trunk Cleaner RP W 1 (single rotating shaft) on a universal cultivator frame (UCF)

The UCF features hydraulically adjusted width control and a swivelling stabiliser wheel. If the top link is replaced with a chain, the implement combination will adapt to every type of terrain.



Vine Trunk Cleaner RP W 1 (single rotating shaft) attached to Mulcher/Mower Alpha sensotronic

The ideal rear-mounted design, as the *Alpha sensotronic* adjusts independently to the rows and always maintains the Vine Trunk Cleaner at an optimal distance from the vine-stock.



Vine Trunk Cleaner RP W2. The original model (patented in 1977 by Stefan Braun Snr.)

The *RP W2* was the first mechanical sucker remover. The *RP W2* evolved into the *RP W1* with further development, in order to address varying work heights.

All similar implements are copies of the original BRAUN *RP W1* / *RP W2*.

Australian Distributor
AUSTRALIAN AGRICULTURE & VITICULTURE SUPPLIES
 p: 08 8326 0848
 e: salesteam@aavsupplies.com.au
 a: 40A O'Sullivan Beach Rd, Lonsdale, SA 5160
www.aavsupplies.com.au

