



BRAUN 

BRAUN MACHINERY ENABLES YOU TO NURTURE THE BLESSINGS OF THE VINES



**PURPOSE DESIGNED AND
PRODUCED IN THE HEART
OF VINEYARD COUNTRY**

BRAUN Cultivator *Vario*



CULTIVATOR VARIO. BASIC UNIT.

- 1 For all soil work
- 2 To loosen hard soil structure
- 3 For aeration and the regeneration of moss-grown soils and grassed aisles



BRAUN Cultivator Vario

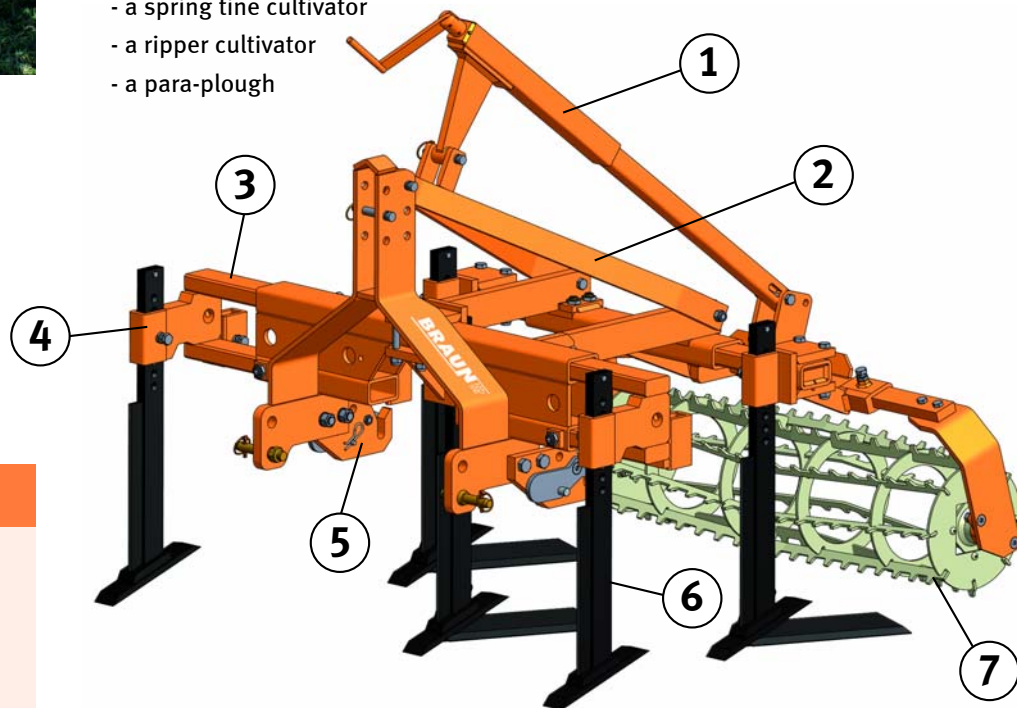
The universal implement for all soil maintenance work in fruit cultivation and viticulture

With its **modular construction**, you can supplement the Cultivator with other BRAUN components to specifically tackle the variety of work you need to do.

The Cultivator *Vario* is an implement that will enable you to cultivate and nurture your vineyard in a variety of ways **without chemicals**.

Distinctive BRAUN advantages are:

- An implement for **all types** of soil work
- **Prolonged implement service/life** (Rotary cutter, rotary harrow, etc.) thanks to the prior loosening of the hard soil structure with the basic *Vario* unit
- **Additional applications:**
Short cultivator with depth control through roller/crumblers or tillage rollers
Multiple additional application through attachable frames, so that the basic unit becomes:
 - an implement carrier for Vine Stem Cleaner, LUV *Perfekt*, disc plough, and more...
 - a disc set
 - a spring tine cultivator
 - a ripper cultivator
 - a para-plough



Technical Data

Working width:

- 800 – 1200 mm
- 900 – 1300 mm
- 1000 – 1400 mm
- 1100 – 1600 mm
- 1250 – 1750 mm
- 1500 – 2000 mm
- 1700 – 2200 mm

- 1 Three point mounting bracket for depth control
- 2 Modular attachable/detachable frame
- 3 Hydraulically or mechanically adjustable working width
- 4 Standard mounting clamps 60 x 25 mm
- 5 Implement attachment plate for power harrow, rotary tiller, etc.
- 6 Chisel tine with leg (optional with wing ploughshares)
- 7 A variety of roller types



Perfect soil maintenance with the Cultivator *Vario* using a variety of equipment options



Cultivator *Vario* with a pair of set discs

The Cultivator *Vario* with its hydraulically adjustable pair of discs is optimal for combating weeds at high speed. Also available as an X-Form disc harrow with two disc harrow pairs.



Cultivator *Vario* with five solid tines, chisel feet followed by the spade roller harrow and crumbler roller for depth control

Ideal for slopes because the ground is cut open with the chisel feet and the spade roller breaks up large chunks of soil at a greater depth.



Cultivator *Vario* with five wing tines with shearbolts, LUV Perfekt, attachable frame and three point mounting bracket for tube roller

For year-round level ground weed control.



Cultivator *Vario* with swivelling coulters and wing tines (optimal with, but available without, wing tines)

This implement serves to aerate and regenerate moss-grown grassed aisles without the danger of soil erosion.



VINETRUNK AREA CLEARED WITHOUT CHEMICALS



Cultivator Vario (Spring tine cultivator) with spring tines, stabilising wheels and pipe roller with three point mounting bracket for depth control

The front outer plough blades prevent the back cultivator tines from throwing soil under the vines.

Stabilising wheels and pipe rollers control depth even in fine soil.



Short Cultivator with chisel feet, crumbler roller and double-sided scalloped mounding disc

The mounding disc can be adjusted in both the horizontal and vertical position without tools. It is ideal for opening the ground and mounding up.

The implement is very compact which is advantageous when using front-mounted equipment (vine trimmer etc).



Cultivator Vario with toolbar and chisel ripper tines combined with power harrow and seed drill

Ripping, loosening, rotoring, seeding and rolling in one step. Ground is broken up and weeds are fed into the power harrow and cut up. Seeded ground is firmly rolled by a packer roller.

Cultivator Vario equipped as para-plough with swivelling coulters, stabilising wheels and tube roller

The swivelling coulters are extremely important in order to ensure that only a cut in the upper surface remains after aeration. Dammed-up surface water in heavy soil is no longer a problem.

Australian Distributor
AUSTRALIAN AGRICULTURE & VITICULTURE SUPPLIES
 p: 08 8326 0848
 e: salesteam@aavsupplies.com.au
 a: 40A O'Sullivan Beach Rd, Lonsdale, SA 5160
www.aavsupplies.com.au

