



BRAUN 

BRAUN MACHINERY ENABLES YOU TO NURTURE THE BLESSINGS OF THE VINES



PRICE LIST 2022

BRAUN MODULAR SYSTEM.

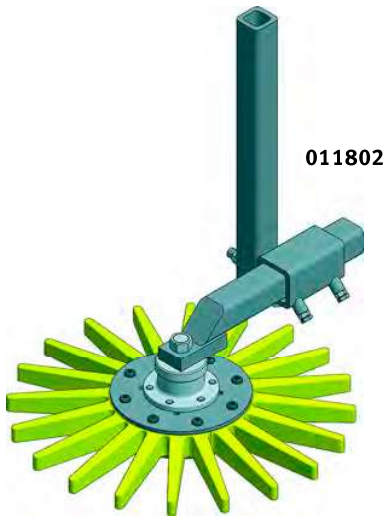
Individual solutions
for fruit growing and viticulture
all over the world.

Made in Germany



FINGER WEEDER

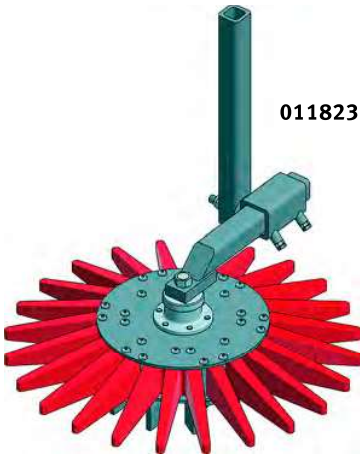
- 1 For breaking up lumps and cultivating around the vines
- 2 For clearing weeds and conditioning the soil



011802

Finger weeder

Finger weeder, Ø 540 mm



011823

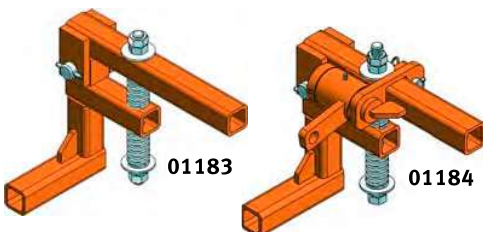
Finger weeder, Ø 700 mm



04394

01244

Four cornered adjustable position clamp
Square tool bar for vertical hydraulic lift



01183

01184

Finger weeder mounting bracket for mower
Angle adjustable finger weeder mounting bracket for mower

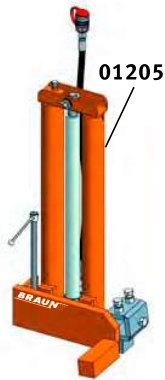


HYDRAULIC LIFTS

- 1 To maintain the area around the vine trunk free of weeds
- 2 To cultivate and loosen soil around the vine trunk and under the vines

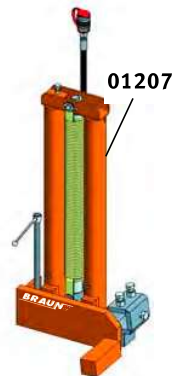
EW = single-acting
DW = double-acting

BRAUN Hydraulic lifts



Precise vertical hydraulic lift EW – single-acting displacement cylinder
made of steel housing, solid lid, protection.

genuine working work. Robust and suitable for all sizes of tractors.



Vertical hydraulic lift DW – double-acting

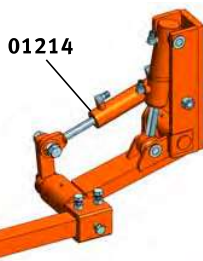
the same design as above but with double-acting lift cylinders.

In addition to the LUV this item is used for lifting the vine trunk cleaner, mulchers and pulling out vineyard posts.



Vertical hydraulic lift with return spring

is suitable, if used to lift ploughshares or coulter discs while breaking ground.



Vertical hydraulic lift EW – single-acting displacement cylinder
with hydraulic side slope adjustment.

Parallel hydraulic lift PA

is suitable in vineyards with side slopes and in orchards.

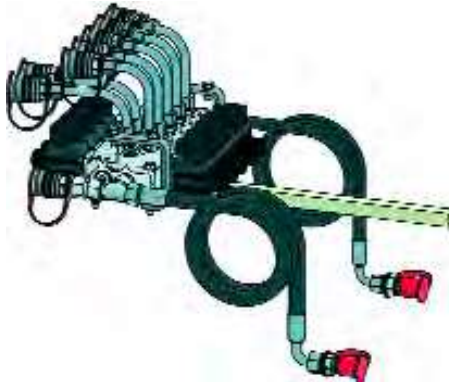
can be mechanically or hydraulically adjusted to side slopes.



LUV PERFECT. BASIC DEVICE.

- 1 To maintain the area around the vine trunk free of weeds
- 2 To cultivate and loosen soil around the vine trunk and under the vines

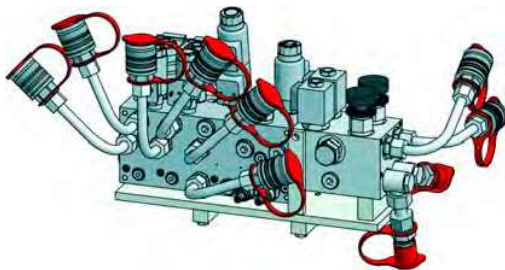
BRAUN Dished ploughshare and Cultivator LUV *Perfekt* and accessories



Hydraulic control block

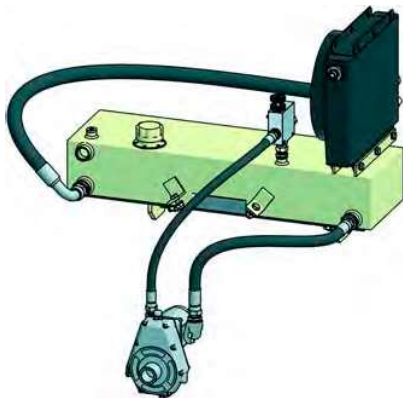
5-way, electronically joystick operated, 3 x EW, 2 x DW
with oil flow regulator

f.e. for a mid-mounted, double sided LUV *Perfekt* undervine weeder,
with hydraulically width adjustment, vertical liftings and one paire of rotary tillers
01153/01154



Hydraulic control block

4-way. electronically joystick operated, 2 x EW, 2 x DW
with oil flow regulator and LUV block included



External oil-supply

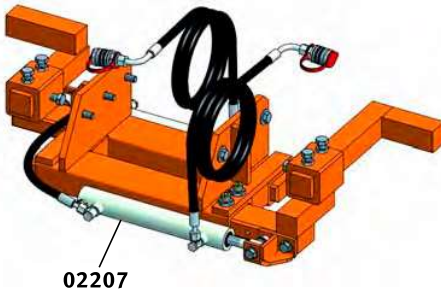
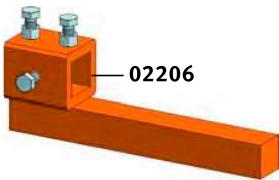
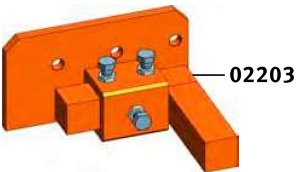
consisting of: Oil-tank, oil-pump with gearbox, oil-cooler
and 3-way hydraulic control block



MID-MOUNTING FRAME

1 To hold devices mid mounted

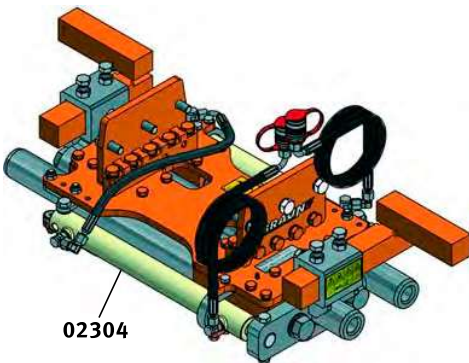
BRAUN Mid-mounting frame (width adjustable)



Mid-mounting frame with hydraulic width adjustment

The best set up for the undervine cultivator/weeder LUV. Allows for quick and efficient turning of tight headland and steep slopes, which cannot be performed with front mounted machines.

The LUV equipment can be operated perfectly stable.



Hydraulic width adjustment II

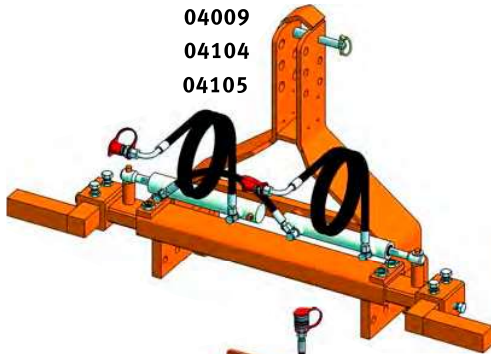
- **NEW: a total width adjustment of 800 mm range!**
- Precisely fitting guidance through round tubes
- Easy maintenance thanks to bushings and grease nipples
- VPA system can be retrofitted

Currently only for Fendt Vario tractors available



FRONT MOUNTING FRAMES

1 To hold devices front mounted



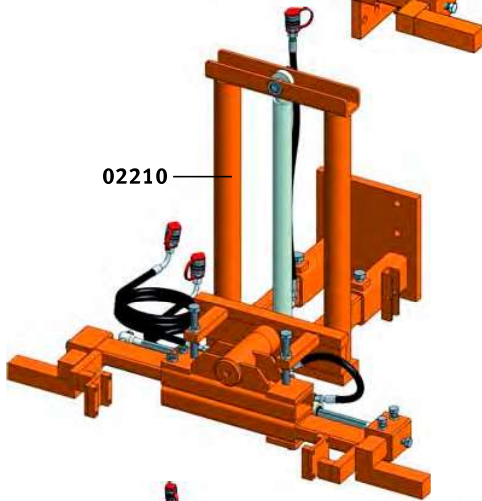
BRAUN Front mounting frames

Front mounting frame UKR

used with tractors with front linkage.

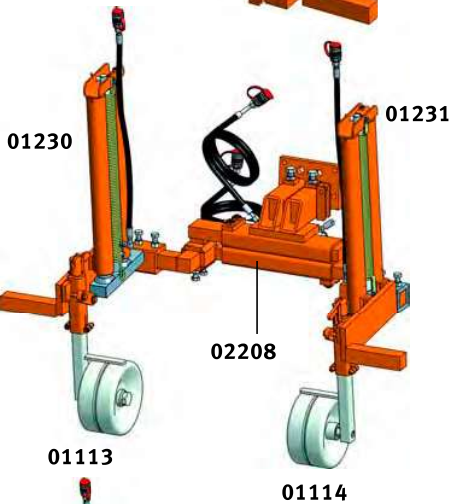
Front mounted universal frame UKR with hydraulic width adjustment.

Very advantageous tool carrier.



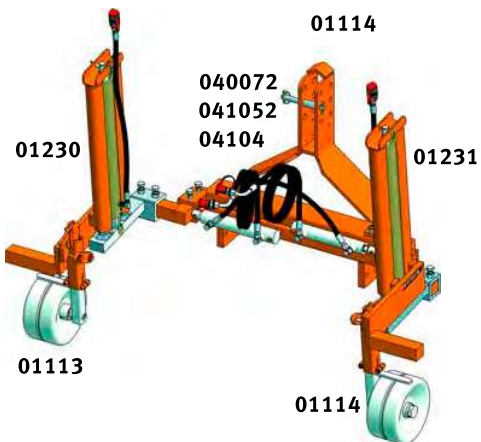
Front mounting with single hydraulic lift

recommended for flat vineyards without tapering ends.



Front mounting with right and left precise vertical hydraulic lift

recommended for narrow vineyards with side slope



Three-point tractor.



Push-/Pull-extension for implement carrier UKR and cultivator Vario



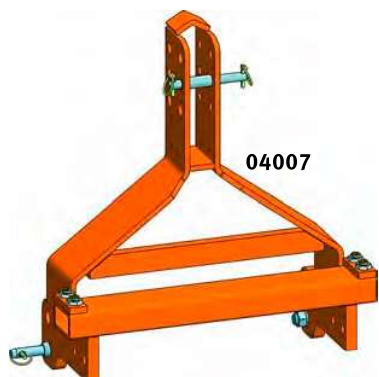
Enables flexible conversion from a front to a rear implement carrier (not possible for Vario II).



IMPLEMENT CARRIER FRAME UKR

1 To hold devices front and rear mounted

Mounting versions for front and rear hydraulic



04007

UKR-basic frame, single tube

Length of tube 700 mm (04007)

Length of tube 800 mm

Length of tube 900 mm

Length of tube 1.000 mm

Length of tube 1.100 mm

Length of tube 1.300 mm



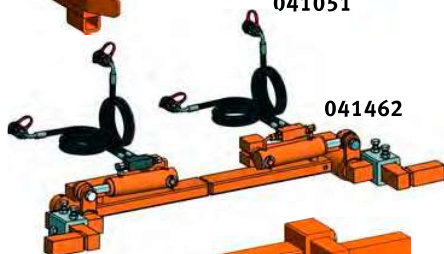
04105

Pair of sliding parts for UKR single tube



041051

Pair of sliding parts for UKR single tube with side deflectors



041462

Pair of sliding parts for UKR single tube, with hydraulic side slope adjustment



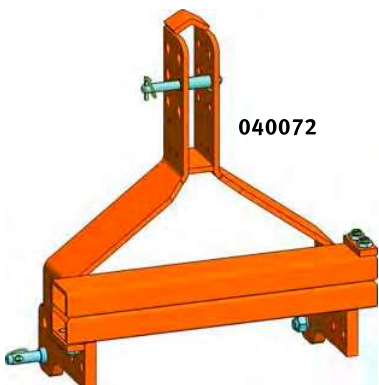
041053

Sliding part single sided



04146

Sliding part single sided with hydraulic side slope adjustment



040072

UKR-basic frame, double tube

Length of tube 700 mm (040072)

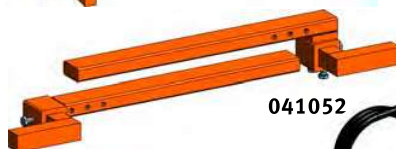
Length of tube 800 mm

Length of tube 900 mm

Length of tube 1.000 mm

Length of tube 1.100 mm

Length of tube 1.300 mm



041052

Pair of sliding parts for UKR double tube



Hydraulic width adjustment



BRAUN Universal Cultivator Frame *UKR* | Combinations

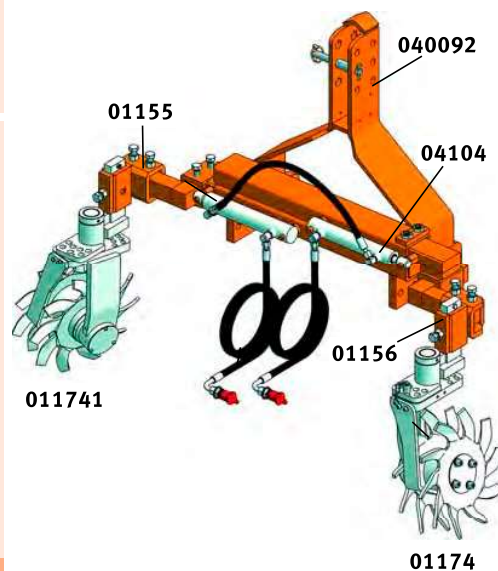
Universal Cultivator Frame *UKR*

Equipped with

➔ **Rotary star tiller both-sided**

Ref. No.	Article	Quantity	Price excl. VAT
040092	<i>UKR</i> -basic frame, double tube 900 mm	1	
041052	Pair of sliding parts for <i>UKR</i> double tube	1	
04104	Hydraulic width adjustment for <i>UKR</i> Extending distance 1.000 mm	1	
01155	Short bracket for rigid leg, right	1	
01156	Short bracket for rigid leg, left	1	
01174	Rotary star tiller with dual star wheels hole and pin adjustment pattern, right	1	
011741	Rotary star tiller with dual star wheels hole and pin adjustment pattern, left	1	

BRAUN Modular Solution total:



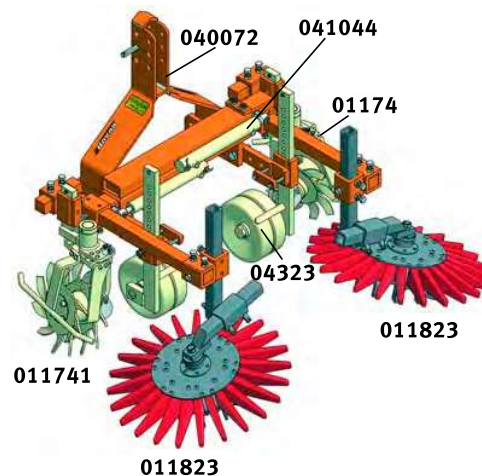
Universal Cultivator Frame *UKR*

Equipped with

➔ **Rotary star tillers and finger weeders both-sided**

Ref. No.	Article	Quantity	Price excl. VAT
040072	<i>UKR</i> -basic-frame, double tube 700 mm	1	
041052	Pair of sliding parts for <i>UKR</i> double tube	1	
041044	Hydraulic width adjustment (double sided) Extending distance 600 mm	1	
01155	Implement mounting bracket, right	1	
01156	Implement mounting bracket, left	1	
01174	Rotary star tiller, dual star wheels, right	1	
011741	Rotary star tiller, dual star wheels, left	1	
04394	Bracket with four-cornered brackets, shifted	2	
011823	Finger weeder Ø 700 rigid (red) with adjustable handle	2	
04323	Support wheel for cultivator/ <i>UKR</i> , right	1	
04324	Support wheel for cultivator/ <i>UKR</i> , left	1	
04321	Legholder for supporting wheels, right/left	2	

BRAUN Modular Solution total:





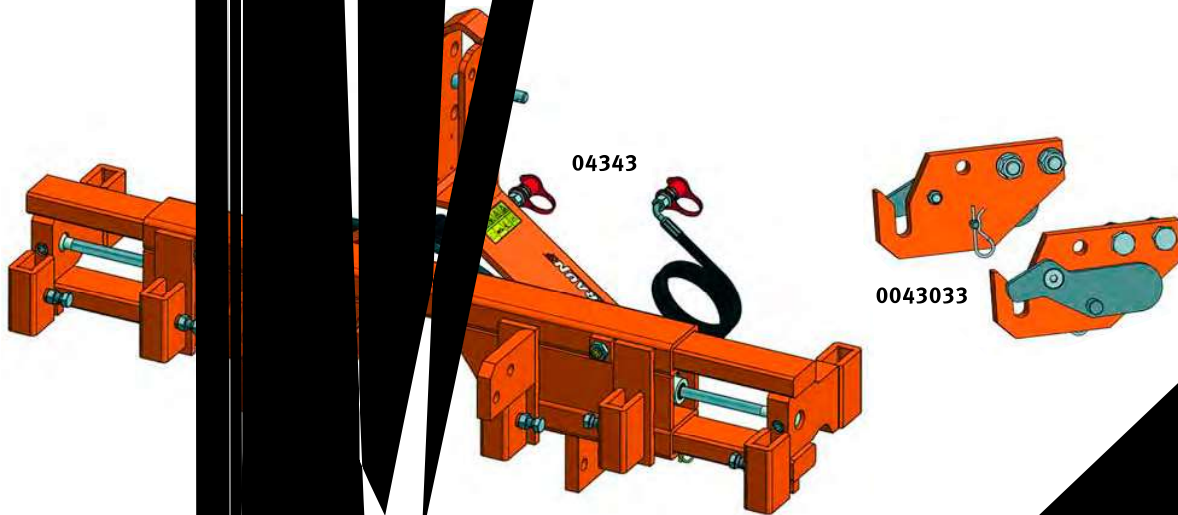
CULTIVATOR VARIO. BASIC DEVICE.

- 1 For all soil work
- 2 To loosen hard soil structure
- 3 For aeration and the regeneration of moss-grown soils and grassed aisles

BRAUN Cultivator VARIO

The universal implement for all maintenance work in fruit cultivation and viticulture

The **universal** implement for all maintenance work in fruit cultivation and viticulture. With its **modular construction**, you can supplement the Cultivator Vario with different BRAUN components to specifically tackle the variety of work you need to do. The Cultivator Vario is an implement that enables you to cultivate and nurture your vineyard in a variety of ways **without chemicals**.



Distinctive advantages are:

- An implement for all soil work
- **Prolonged implement life** (e.g. front cutter, rotary harrow, etc.) thanks to the prior loosening of the soil structure with the basic *Vario* unit
- **Additional applications** (e.g. front roller/crumblers or tillage roller)
- **Multiple additional options** (e.g. front roller/crumblers or tillage roller)
 - an implement for all soil work (e.g. front cutter, rotary harrow, etc.)
 - a disc set
 - a spring tine
 - a ripper cultivator
 - a para-plough

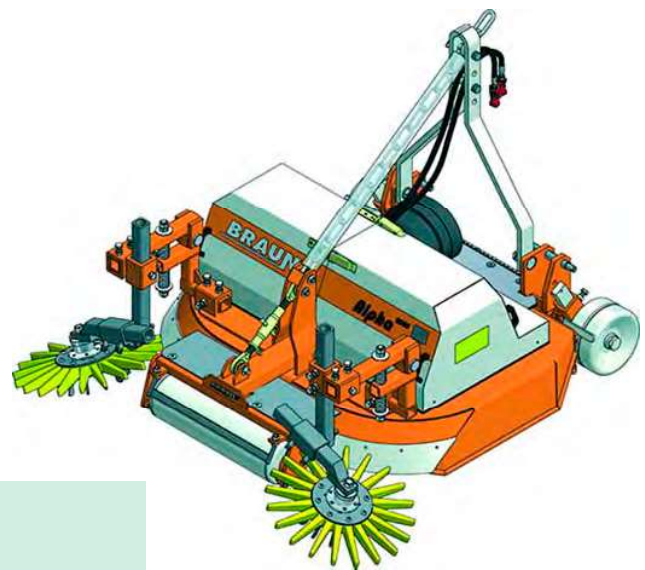
Our *Vario* frame enables you to use the following options:

Best.-Nr.	Bezeichnung	Gewicht in kg	Preis exkl. MwSt.
	Plattenset		
	Springtine		
	Ripper		
	Para-Pflug		

00430331



BRAUN Mower Avant | Alpha | Combinations



Mower Alpha 2000

Equipped with → **Finger weeders**
for simultaneously mowing grassed aisles
and controlling weed mechanically

Ref. No.	Article	Quantity	Price excl. VAT
0713180	Mower Alpha 2000, Working width 1,30 - 1,80 m	1	
07005	Power take off shaft (with free wheel and friction clutch) (not shown)	1	
01183	Mounting bracket for Finger weeder on Mower, right	1	
011831	Mounting bracket for Finger weeder on Mower, left	1	
04394	Bracket for corner clamp, adjustable	2	
011802	Finger weeder Ø 540 mm medium (yellow), with adjustable handle	2	

BRAUN Modular Solution total:



E S

1.

1.

1.

2.

2.

2.

3.

3.

3.2

3.3

3.4

4.

4.1

4.2

5.

5.

5.

5.

5.

5.

5.

5.

5.

... by the

... explicitly agreed upon in wri-

... however not before the submission

... required from the purchaser, and up

... obligation under the term

... equal amount of time

... by the

... purchaser is entitled

... storage, insurance, security measu-

... per week. The supplier is entitled to



...ves or agents, a ... liability pursuant to the Product Liability ...
For damages t ... a wilful or grossly negligent b ... of
... or fraudu ... tives or agents, the supplier is ...
... ce with la ...
... se, howev ... able and typically resulting d ...
... the suppl ... ot acted deliberately. If the ...
... a guarant ... or parts thereof, then the su ...
... ages tha ... ty, within the scope of this ...
... es, howev ... ct the supplier is only the ...
... defect ca ... quality ...

7.7 ... er is als ... s that are caused by sin ... negligence, in a ...
... se contr ... obligations, that are of signific ... importance for the f ...
... (material contractual obligations). Th ... however only liab ... for those damages that are
... ssociat ... with the con ...

... further-r ... liability is excluded, reg ... of the legal nature of the asserted claim; this applies in
... of this co ...

9. ... the statute-based one year after delivery
... representatives, or his ...
... lawful representatives have

8.

8.1.

8.2.

9.2.

9.3.

