



SIGNATURE SERIES 400 POND SKIMMER

**Signature Series 400
Pond Skimmer**
Item #43021



aquascapeinc.com



Signature Series 400 Pond Skimmer

Thank you for choosing the Signature Series 400 Pond Skimmer. At Aquascape, we connect people to water the way nature intended. Since 1991, we've been creating and field-testing water features in order to provide you with the most reliable products and best value in the water gardening industry.

The Aquascape Signature Series 400 Pond Skimmer provides mechanical filtration to your pond. Our skimmers were designed to be functional, easy to install, and maintain. They include patented features that make a maintenance free pond effortless. This instruction manual will guide you through the proper installation of your filter as well as recommended maintenance procedures to ensure long term effectiveness.



TABLE OF CONTENTS

Introduction	2
Contents	3
Recommended Tools	3
Installation	4
General Maintenance	7
Replacement Parts	8
Warranty Information	8

Contact Us

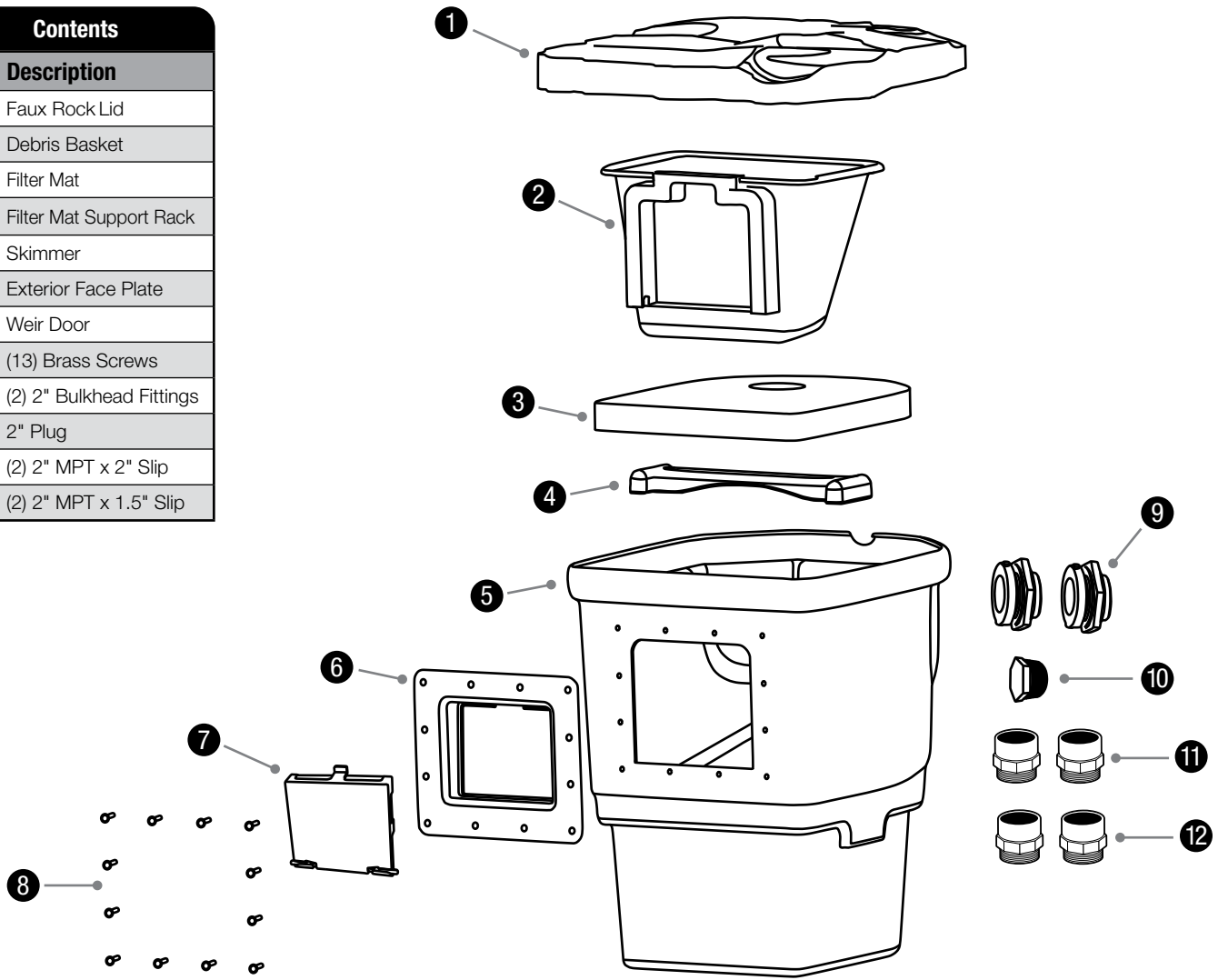
For more information about our company or products, please visit our website at aquascapeinc.com or call US (866) 877-6637 CAN (866) 766-3426.

Find us on:

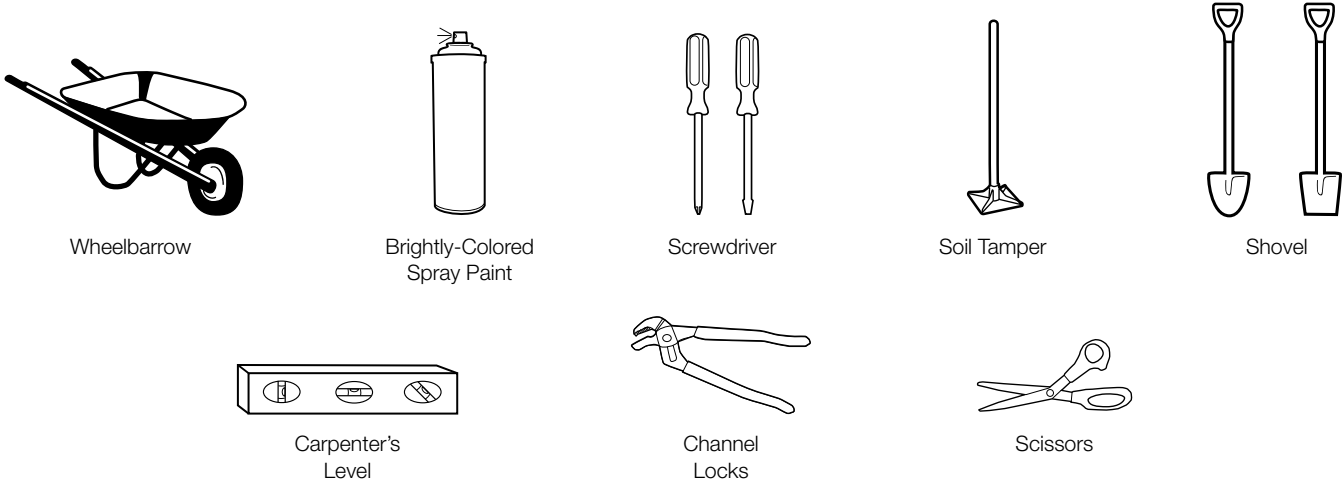


facebook.com/aquascapeinc
youtube.com/aquascape4
pinterest.com/aquascapeinc
instagram.com/aquascape_inc/

Contents	
No.	Description
1.	Faux Rock Lid
2.	Debris Basket
3.	Filter Mat
4.	Filter Mat Support Rack
5.	Skimmer
6.	Exterior Face Plate
7.	Weir Door
8.	(13) Brass Screws
9.	(2) 2" Bulkhead Fittings
10.	2" Plug
11.	(2) 2" MPT x 2" Slip
12.	(2) 2" MPT x 1.5" Slip



Recommended Tools

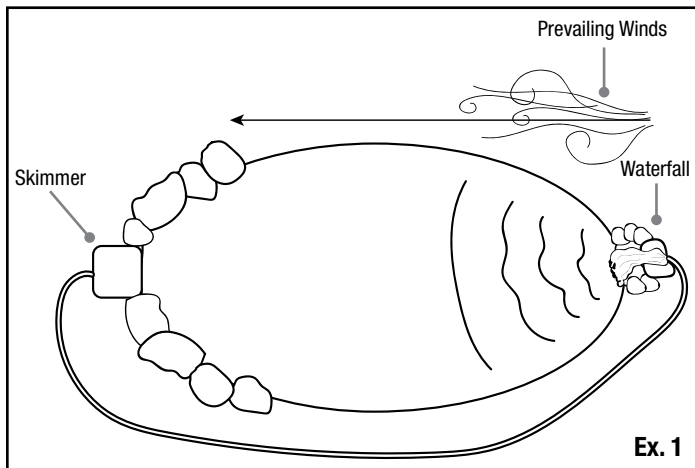


Installation

STEP 1

PLACEMENT OF THE SKIMMER

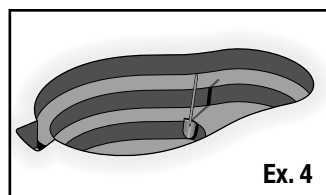
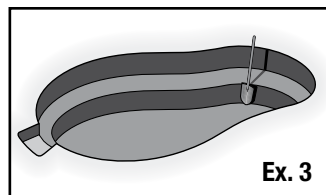
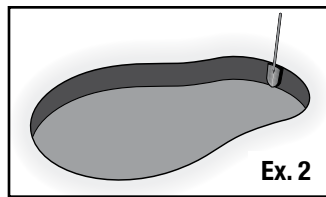
- In order to maximize circulation, the skimmer should be placed directly across from a waterfall. If you do not have a waterfall, use your area's prevailing winds to determine where you should place your skimmer along the longest axis. Use the wind to help push the debris toward the skimmer (Ex. 1).



STEP 2

EXCAVATING YOUR POND BASIN

- If you are installing the skimmer on an existing pond, skip this step and proceed to step three.
- We suggest excavating the pond no more than 18-24" deep. This depth provides the proper water levels required for aquatic plants and is deep enough to keep fish alive during winter.
- The excavation should be dug with a series of shelves. The shelves will add stability to the walls of the pond and will also create planting beds for different types of aquatic plants.
- The first shelf should be about 8-10" deep or the height of a standard shovel blade (Ex. 2).
- Dig the second shelf another 8-10" deeper (Ex. 3).
- The third shelf (if desired) will be excavated down another 6" reaching a final excavation of 24" (Ex. 4).

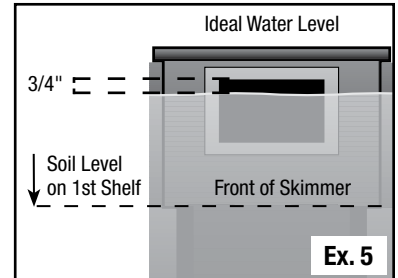


STEP 3

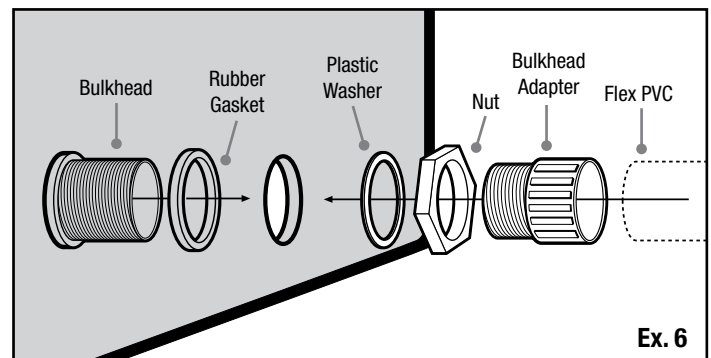
EXCAVATING YOUR SKIMMER LOCATION

- When installing the skimmer onto an existing pond you will need to drain the water from the pond. If you have fish, save some water from the pond and place in a large bucket, kiddie pool, or cooler. Net your fish and place them in your container. Be sure to add an aerator and keep the fish in a shaded area.
- On existing ponds, remove any rock that is within 3 feet on either side and in front of where you will place the skimmer. Pull your existing liner and underlayment back into the pond 3-4 feet from edge so you expose the area that needs to be excavated for the skimmer.
- We recommend placing the skimmer upside-down in the position you have chosen. Overhang about 6" towards the inside of the pond to allow some slack in the liner and make attaching the exterior liner plate easier.
- Using a can of brightly-colored spray paint, trace around the skimmer to outline the area that is to be excavated.

- Excavate the skimmer to a depth so that the proposed water level in the pond is approximately 3/4" below the top of the opening of the skimmer (Ex. 5). If installing on an existing pond, use the known water level as your guideline on how deep to excavate the skimmer.



- Make sure the excavated area under the skimmer is compacted and level.
- Install the two bulkheads into the back of the skimmer prior to dropping into the excavated hole. Make sure the rubber gasket is installed on the inside of the skimmer (Ex. 6). The filter has two openings on the back, allowing multiple plumbing options.



- Use a 2-foot bubble level to make sure your skimmer is properly set into position. Your skimmer should be level from side to side and front to back (Ex. 7).



Ex. 7

STEP 4

INSTALLING THE SKIMMER

- The pump plumbing line attaches into one bulkhead and the optional overflow or 2" plug (if no overflow is desired) can be added to the other (Ex. 8). Use the angle of the bulkheads to your advantage by choosing the bulkhead that works best with the direction you want to run your plumbing to the BioFalls Filter.
- Install the PVC slip fitting into each bulkhead on the outside of the skimmer to receive the pump plumbing and optional overflow plumbing.
- Use some silicone sealant (#22010) or (#29186) or Teflon tape (not included) to coat the threads of the fittings, in order to help provide a watertight seal.

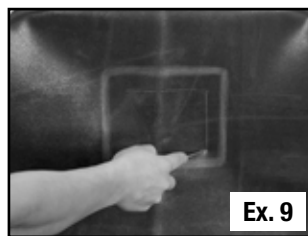


Ex. 8

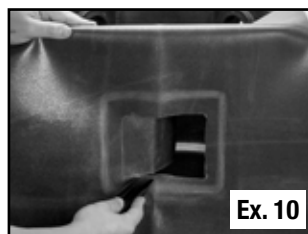
ATTACHING THE SKIMMER EXTERIOR LINER PLATE

NOTE: Power tools are not recommended for installing the screws and may strip the nut inserts.

- Position the liner against the skimmer opening, making sure there is slack below the opening. This will help reduce tension on the exterior liner plate when placing boulders in front of the unit.
- Mark the outer perimeter of the skimmer opening on the liner, and then mark a second box 1.5" inside of it. This ensures that you don't cut too much of the liner, which would result in a possible leak (Ex. 9).
- Cut the inner box using a pair of scissors, and insert the skimmer exterior liner plate into the hole (Ex. 10).
- Place the liner around the exterior liner plate and temporarily install the exterior



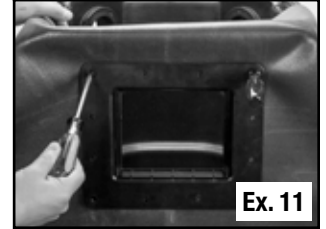
Ex. 9



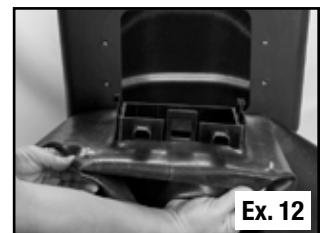
Ex. 10

liner plate and liner to the skimmer. Using an awl or nail, poke the first hole through the liner in one of the upper corners. Be careful not to damage the threads on the nut inserts when punching the holes with the awl. Remove the awl or nail while holding the exterior liner plate and liner in place and begin threading one of the screws into the filter. Repeat this process with the other upper corner (Ex. 11).

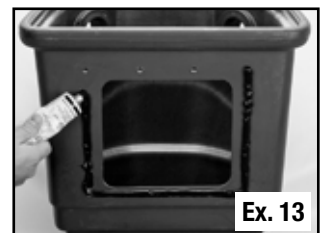
- Now remove the exterior liner plate from the skimmer, keeping the screws installed through the exterior liner plate and liner (Ex. 12).
- Apply a bead of fish-safe silicone sealant (#22010) or (#29186) around the skimmer opening, over the nut inserts (Ex. 13). Pre-installing the two screws in the earlier steps will make it easy to line up the skimmer exterior liner plate after the silicone is applied and will keep the silicone in as thick of a bead as possible.
- Replace the skimmer exterior liner plate and the two corner screws, and then proceed with the bottom two corners. Make sure the holes in the exterior liner plate that the weir flap clicks into are on the bottom.
- With the four corners secured, you may now punch the remaining holes with your awl and thread in all the screws. Again, be careful not to damage the threads on the nut inserts (Ex. 14).
- Let dry for at least one hour before introducing water.



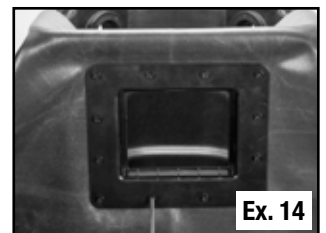
Ex. 11



Ex. 12



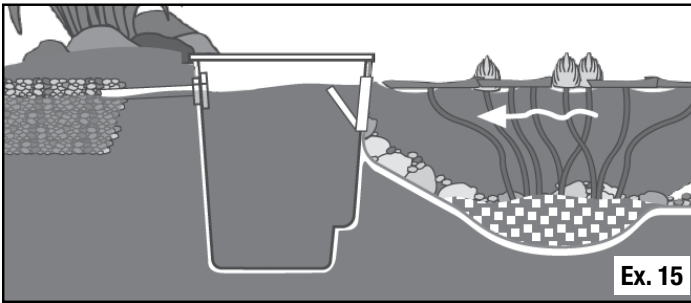
Ex. 13



Ex. 14

OPTIONAL OVERFLOW INSTALLATION INSTRUCTIONS

- The built-in overflow will allow the water in an overflow situation to flow through the pipe and drain away from the pond. Use the 2" plug to plug the bulkhead if you do not want the overflow option.
- Excavate a trench for a section of PVC Flex pipe to come off the back of the desired bulkhead. The trench should be no less than 5 feet from the back of the skimmer and graded away from the pond (Ex. 15).



- Create a drainage area at the end of the pipe by excavating a small pit, roughly 16 inches in diameter and at least 12 inches deep. Fill the pit with excess gravel.
- Prime and glue the section of PVC Flex pipe into the slip fitting and run it to the top of the gravel pit. Cover the gravel pit with a small section of underlayment and top with soil.
- Install the overflow elbow into the corresponding bulkhead on the inside of the skimmer. Use silicone sealant (#22010) or (#29186) or Teflon tape (not included) on the threads prior to installing the fitting. Hand-tighten the fitting in the bulkhead as far as possible with the overflow arm in the highest position.

STEP 5

ADD ROCK AND GRAVEL

NOTE: You can expect to use several tons of stone and gravel for your water feature. Below are some helpful formulas for choosing the stone and gravel.

Stone Calculation for the Pond

$$\text{Length} \times \text{Width} / 65 = \text{Tons of boulders}$$

Gravel Used in the Pond

$$\text{Pond Gravel} = 30\% \text{ total tons of pond boulders}$$

- Start from the bottom and set the largest character boulders first against the vertical walls, then stack the smaller boulders on top (Ex. 16).



- Be careful when placing any large boulders to avoid damaging the liner.

- The opening on the front of the skimmer can be hidden by placing boulders on either side and bridging a stone or piece of driftwood across, creating a cave effect.

NOTE: Make sure the boulders do not block the water flow into the skimmer.

- Cover all remaining flat surfaces inside the pond with a couple inches of decorative gravel. This will help lock the boulders in place, as well as cover the remaining liner, protecting it from ultraviolet rays and giving bacteria a place to colonize.

WASH ROCKS AND GRAVEL

- Using a garden hose, wash the rock and gravel down in order to remove the dust and dirt. Use the pump provided with the kit attached to a scrap section of kink-free pipe. The pump can temporarily be placed in the lowest point of the pond and the dirty water discharged to a drainage area in the yard.

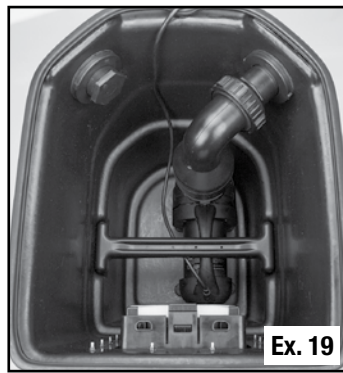
STEP 6

COMPLETE THE SKIMMER INSTALLATION

- The Aquascape Check Valve 2.0 (#48026) (included with Aquascape pond kits or sold separately) comes with two adaptors used on each end of the check valve (Ex. 17). One adaptor threads directly into the pump, the other threads directly into the bulkhead on the back of the skimmer that supplies water to the BioFalls Filter. Apply silicone sealant (#22010) or (#29186) or Teflon tape (not included) to the threads of the fitting (Ex. 18).



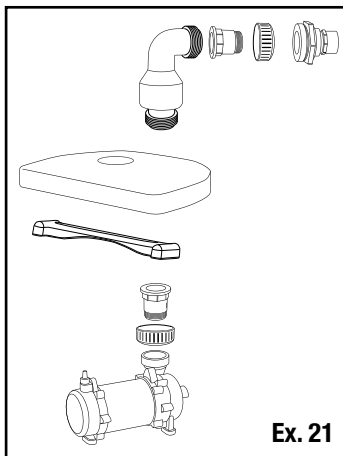
- Please refer to check valve assembly instructions for further pump plumbing information.



- The second hole located in the back of the skimmer is for the overflow. The overflow will help maintain the maximum water level in the pond after rainfall, ensuring that your skimmer works properly and water does not travel over the edges of the liner and cause problems with hydrostatic pressure. Refer back to page 6 for overflow information. If not using the overflow, the bulkhead fitting can be blocked using the 2" plug as shown in (Ex. 19 & Ex. 20).



- Place the pump at the bottom of the skimmer. Follow pump instructions (Ex. 21).
- Once inside the skimmer, feed the electrical cord over the depression located on the back, top edge of the skimmer (Ex. 19).



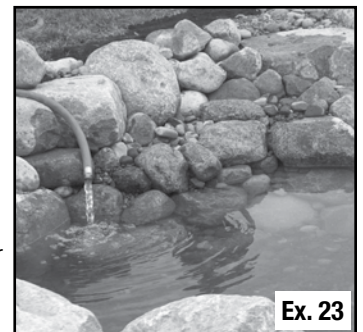
- Set the filter rack inside the skimmer (Ex. 19). Insert the skimmer mat into the filter (Ex. 20).
- Attach skimmer basket (Ex. 22).



STEP 7

FILL POND

- Fill pond so that the water level is approximately 3/4" below the top of the opening of the skimmer, making sure to stay below the opening for the optional overflow inside the skimmer (Ex. 23).



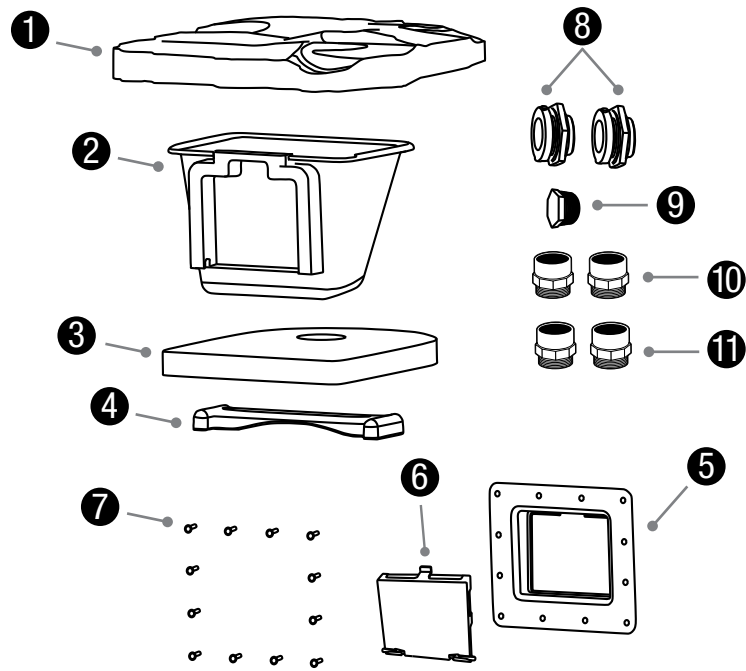
NOTE: We recommend adding Aquascape Pond Detoxifier to dechlorinate and properly condition water prior to introducing fish to your new pond. See your Aquascape dealer for water treatment products.

General Maintenance

- Weir Door:
 - The Signature Series Skimmer weir door can be closed shut to temporarily drain the water in the skimmer for maintenance. Open the weir door as soon as maintenance is completed to avoid operating the pump in low water conditions for extended periods of time.
- Debris Basket:
 - The Signature Series Skimmer is designed to sweep the surface of the water so it is free from debris. The debris basket inside the skimmer is the first filter stage of the skimmer. The basket will collect leaves, twigs, seeds and other pond debris. It takes approximately two to three minutes every other week to empty the debris net. More frequent changes will be required during the fall and spring because of the quantity of leaves falling off the surrounding trees.
 - It is a good habit to periodically lift the skimmer lid and check the quantity of debris in the basket. This is especially true in the fall. Keep a mental note as to how often your basket has to be emptied. It's important that the debris basket is not allowed to become too full. Too much debris can reduce the water flow to the pump.
- Filter Mat:
 - The filter mat below the debris basket is the second stage of the skimmer. The mat is designed to handle any debris that finds its way past the basket. The mat will not need maintenance as frequently as the basket, since the basket will remove the majority of debris from the water. Remove and rinse the mat when you notice excessive debris build up on the mat or reduced flow over the waterfall.

Replacement Parts

Skimmer Replacement Parts	
No.	Item number/description
1.	43023 – Rock Lid
2.	43007 – Debris Basket
3.	43011 – Filter Mat
4.	43008 – Filter Mat Support Rack
5.	43006 – Exterior Face Plate
6.	43005 – Weir Door
7.	54001 – (2) Brass Screws (8 pk)
8.	29103 – (2) Bulkhead Fittings
9.	29394 – 2" Plug
10.	29158 – 2" MPT x 2" Slip
11.	29157 – 2" MPT x 1.5" Slip



Warranty

LIFETIME WARRANTY

Aquascape warrants that the Signature Series 400 Pond Skimmer will be free of manufacturing defects for the lifetime of the product if properly installed and maintained. Proof of purchase required. Warranty does not cover damage resulting from negligent handling, misuse or lack of reasonable maintenance or care. If upon Aquascape's inspection, the skimmer shows evidence of a manufacturing defect, Aquascape's liability is limited, at Aquascape's option, to the repair of the defect, replacement of the defective product, or refund of the original purchase price. The warranty excludes costs of labor, removal of product, shipping and expenses related to the installation and re-installation of the product. All products that include plumbing (tubing, pumps, check valves) need to be properly drained and winterized otherwise warranty is null and void. No liability for loss or damage of any nature or kind, whether arising out of or from the use of the product, whether defective or not defective, is assumed by Aquascape, Inc. or its affiliates. Aquascape shall not be liable for any incidental, consequential or other damages arising under any theory of law whatsoever.

ONE YEAR WARRANTY

Aquascape warrants that the plastic internal parts of the skimmer will be free of manufacturing defects for one year from the date of purchase of the product if properly installed and maintained. Proof of purchase required. Filter pads and media are consumable items and are not covered under any warranty. If upon Aquascape's inspection, the plastic internal parts shows evidence of a manufacturing defect, Aquascape's liability is limited, at Aquascape's option, to the repair of the defect, replacement of the defective product, or refund of the original purchase price. The warranty excludes costs of labor, removal of product, shipping and expenses related to the installation and re-installation of the product. No liability for loss or damage of any nature or kind, whether arising out of or from the use of the product, whether defective or not defective, is assumed by Aquascape, Inc. or its affiliates. Aquascape shall not be liable for any incidental, consequential or other damages arising under any theory of law whatsoever.

For more information about our company or products, please visit our website at aquascapeinc.com or call us at US (866) 877-6637 CAN (866) 766-3426



SIGNATURE SERIES 400 POND SKIMMER

**Signature Series 400
Pond Skimmer**
Référence #43021



aquascapeinc.com



Signature Series 400 Pond Skimmer

Merci d'avoir choisi l'écumeur d'étang Signature Series 400. Chez Aquascape, nous connectons les gens à l'eau comme le veut la nature. Depuis 1991, nous créons et testons sur le terrain des caractéristiques d'eau afin de vous fournir les produits les plus fiables et le meilleur rapport qualité-prix dans l'industrie de l'eau.

L'écumeur de bassin Aquascape Signature Series 400 fournit une filtration mécanique à votre bassin. Nos skimmers ont été conçus pour être fonctionnels, faciles à installer et à entretenir. Ils incluent des caractéristiques brevetées qui rendent un bassin sans entretien sans effort. Ce manuel d'instructions vous guidera à travers l'installation correcte de votre filtre ainsi que les procédures d'entretien recommandées pour garantir une efficacité à long terme.



TABLE DES MATIÈRES

Introduction	10
Contenu	11
Outils recommandés	11
Installation	12
Entretien général	15
Pièces de rechange	16
Informations sur la garantie	16

☎ Communiquez avec nous

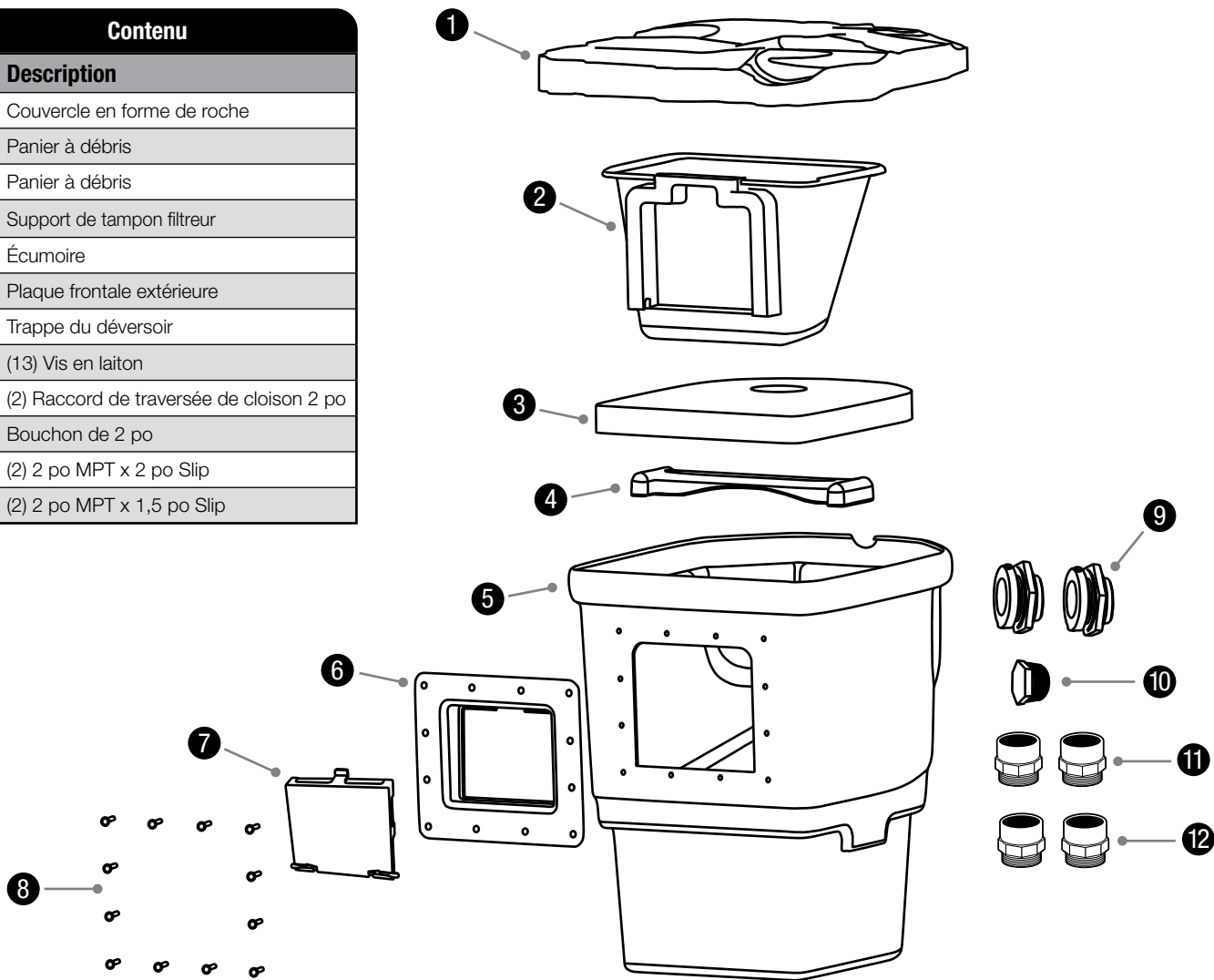
Pour plus de renseignements sur notre entreprise ou nos produits, veuillez vous rendre sur notre site Web aquascapeinc.com ou appeler le (866) 877-6637 (aux É.-U.) ou le (866) 766-3426 (au Canada).

Rejoignez-nous sur :



facebook.com/aquascapeinc
youtube.com/aquascape4
pinterest.com/aquascapeinc
instagram.com/aquascape_inc/

Contenu	
N°	Description
1.	Couvercle en forme de roche
2.	Panier à déchets
3.	Panier à déchets
4.	Support de tampon filtrant
5.	Écumoire
6.	Plaque frontale extérieure
7.	Trappe du déversoir
8.	(13) Vis en laiton
9.	(2) Raccord de traversée de cloison 2 po
10.	Bouchon de 2 po
11.	(2) 2 po MPT x 2 po Slip
12.	(2) 2 po MPT x 1,5 po Slip



Outils recommandés



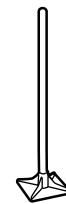
Brouette



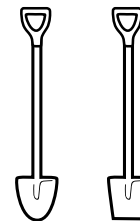
Peinture au pistolet de couleur vive



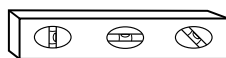
Tournevis



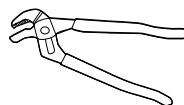
Dameuse



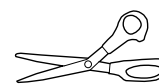
Pelles



Niveau à bulle



Pince multiprise à crémaillère



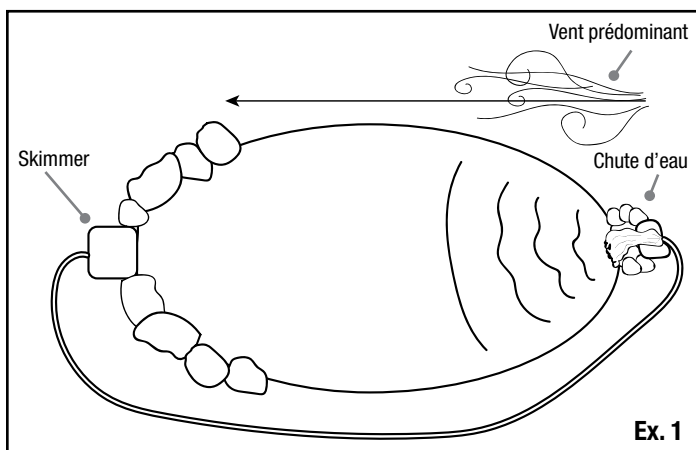
Ciseaux

Installation

ÉTAPE 1

POSITIONNEMENT DE L'ÉCUMOIRE

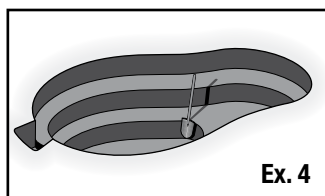
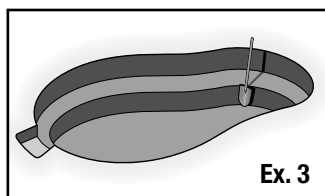
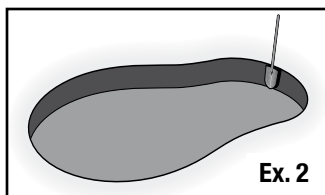
- Pour maximiser la circulation, le filtre skimmer doit être placé directement devant la chute d'eau. Dans le cas où vous n'auriez pas de chute d'eau, utiliser les vents prédominants du terrain pour déterminer la position du filtre sur son axe le plus long. Ainsi, vous pouvez utiliser le vent pour aider à pousser les débris vers le filtre (Ex. 1).



ÉTAPE 2

EXCAVATION DE VOTRE PLAN D'EAU

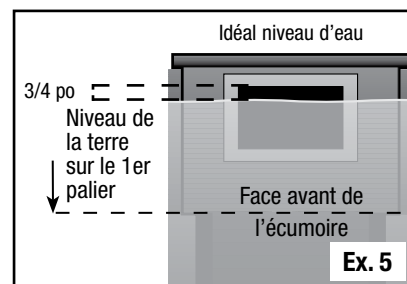
- Si vous installez l'écumoire sur un étang existant, ignorez cette étape et passez à l'étape trois.
- Nous suggérons une excavation maximale de 18" à 24" de profondeur. Cette profondeur est nécessaire pour la santé des plantes aquatiques et est appropriée pour les poissons durant la saison hivernale.
- L'excavation doit être creusée en forme de marches. Ces marches servent à maximiser la stabilité des murs de l'étang et à la création de différents niveaux de plate-bandes pour différentes familles de plantes aquatiques.
- La première marche doit être de 8 à 10" de profondeur (Ex. 2), ou la dimension de la lame d'une pelle régulière.
- Creuser la deuxième étagère de l'autre 8 à 10 plus profond (Ex. 3).
- La troisième marche (si désirée) est de 6" de profondeur (Ex. 4), pour atteindre une excavation de profondeur finale de 24".



ÉTAPE 3

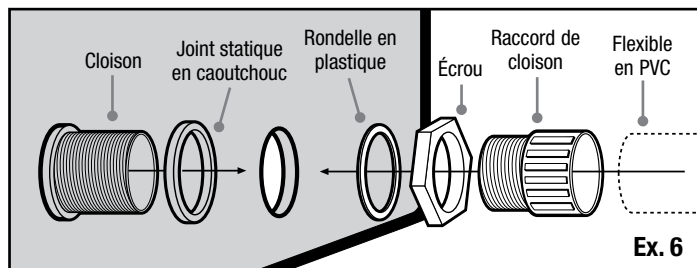
EXCAVATION POUR L'ÉCUMOIRE

- Lors de l'installation du skimmer sur un étang existant, vous devrez vidanger l'eau de l'étang. Si vous avez des poissons, gardez un peu d'eau de l'étang et placez-les dans un grand seau, une piscine pour enfants ou une glacière. Filetez vos poissons et placez-les dans votre contenant. Assurez-vous d'ajouter un aérateur et de garder le poisson dans une zone ombragée.
- Sur les étangs existants, retirez les pierres dans un périmètre de 3 pieds autour du site du filtre. Exposer la région à excaver pour l'emplacement du filtre skimmer en retirant 3 à 4 pieds de toile à bassin.
- Nous vous recommandons de placer le skimmer à l'envers dans la position que vous avez choisie. Porte à faux sur 6 vers l'intérieur de l'étang pour permettre un peu de mou dans la doublure et de faire de fixation de la façade plus facile.
- À l'aide d'un peut de couleur vive de pulvérisation de peinture, trace autour de l'écumoire de définir la zone à excaver.



- L'excavation de l'écumoire à une profondeur de sorte que le projet de niveau d'eau dans le bassin est d'environ 3/4 en dessous du haut de l'ouverture de l'écumoire (Ex. 5). Pour l'installation dans un étang artificiel existant, veuillez utiliser le niveau d'eau connu pour l'excavation de l'écumoire.

- Assurez-vous que la zone sous le filtre skimmer est compactée et est à niveau.
- Installez les deux cloisons verticales à l'arrière de l'écumoire skimmer avant d'insérer l'écumoire dans le trou creusé pour la loger. Assurez-vous que le joint en caoutchouc est installé à l'intérieur du skimmer (Ex. 6). Le filtre dispose de deux ouvertures à l'arrière, permettant à de multiples options de plomberie.



- Utilisez un niveau à bulle de 2 pieds pour vous assurer que l'écumoire est convenablement posée. L'écumoire doit être de niveau transversalement et longitudinalement (Ex. 7).



Ex. 7

ÉTAPE 4

INSTALLATION DU SKIMMER

- La ligne de plomberie de la pompe se fixe dans une cloison et le trop-plein en option ou le bouchon de 2 " (si aucun débordement n'est souhaité) peuvent être ajoutés à l'autre (Ex. 8).



Ex. 8

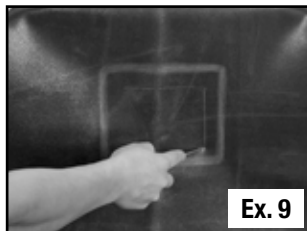
Utilisez l'angle des cloisons à votre avantage en choisissant la cloison qui fonctionne le mieux avec la direction dans laquelle vous souhaitez diriger votre plomberie vers le filtre BioFalls.

- Installer le PVC de glissement de montage dans chaque cloison à l'extérieur de l'écumeur à recevoir la pompe de la plomberie et de l'option de débordement de la plomberie.
- Recouvrez le filetage du raccord d'un scellant à base de silicone ou de ruban de téflon (non fourni) afin d'assurer l'étanchéité du joint.

FIXATION DE LA PLAQUE DE REVÊTEMENT EXTÉRIEUR DU SKIMMER

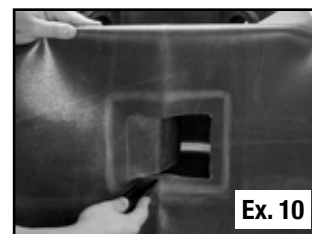
REMARQUE : Les outils électriques ne sont pas recommandés pour l'installation des vis et peuvent endommager les écrous.

- Placez la doublure contre l'ouverture de l'écumeur, en vous assurant qu'il y a du jeu sous l'ouverture. Cela aidera à réduire la tension sur la plaque de revêtement extérieure lorsque vous placez des rochers devant l'unité.
- Marquez le contour externe de l'ouverture de l'écumeur sur la toile et tracez un second cadre à 1,5 po à l'intérieur du premier cadre. Vous éviterez ainsi de découper une trop grande ouverture dans la toile, ce qui pourrait entraîner une fuite (Ex. 9).
- Coupez la boîte intérieure à l'aide d'une paire de ciseaux et insérez la plaque de revêtement extérieur de l'écumeur dans le trou (Ex. 10).



Ex. 9

- Placez le revêtement autour de la plaque de revêtement extérieur et installez temporairement la plaque de revêtement extérieur et la doublure au écumeur. À l'aide d'un poinçon ou d'un clou, percez le premier trou à travers la doublure dans l'un des coins supérieurs. Veillez à ne pas endommager les filetages des inserts d'écrou lorsque vous percez les trous avec le poinçon. Retirez le poinçon ou le clou tout en maintenant la plaque de revêtement extérieur et la doublure en place et commencez à visser l'une des vis dans le filtre. Répétez ce processus avec l'autre coin supérieur (Ex. 11).



Ex. 10



Ex. 11



Ex. 11

- Retirez maintenant la plaque de revêtement extérieure de l'écumeur, en gardant les vis installées à travers la plaque de revêtement extérieure et la doublure (Ex. 12).



Ex. 12

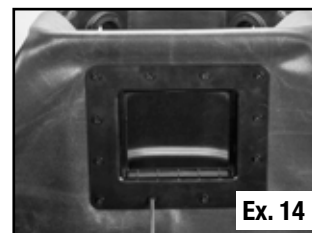
- Appliquez un cordon de mastic silicone sans danger pour les poissons (# 22010) ou (# 29186) autour de l'ouverture de l'écumeur, sur les inserts d'écrou (Ex. 13). La pré-installation des deux vis dans les étapes précédentes facilitera l'alignement de la plaque de revêtement extérieur de l'écumeur après que le silicone soit appliqué et gardera le silicone aussi épais que possible.



Ex. 13

- Remettez en place la plaque de revêtement extérieure de l'écumeur et les deux vis d'angle, puis passez aux deux coins inférieurs. Assurez-vous que les trous de la plaque de revêtement extérieur dans lesquels le volet de déversoir s'enclenche se trouvent en bas.

- Maintenant que les quatre coins sont fixés, vous pouvez percez les autres trous avec un poinçon ou un clou et insérer les autres vis. Prenez bien soin de ne pas endommager le pas de vis des chevilles d'écrous (Ex. 14).

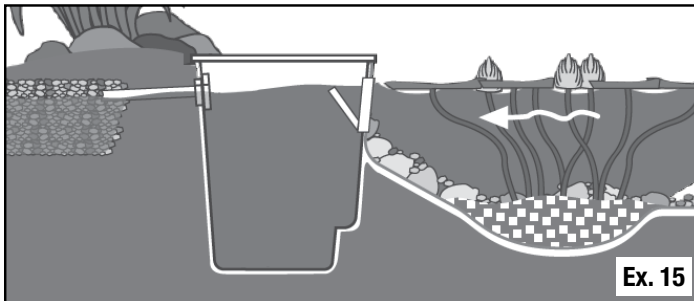


Ex. 14

- Laissez sécher au moins pendant une heure avant d'ajouter l'eau.

INSTRUCTIONS POUR LA POSE DU TROP-PLEIN EN OPTION

- Quand l'eau est prête à déborder, le trop-plein intégré permet à l'eau de s'écouler à travers le tuyau et d'être drainée loin du bassin. Utilisez le bouchon de 2 po pour boucher la cloison si vous ne voulez pas du trop-plein en option.
- Creusez une tranchée pour faire passer le tuyau de PVC souple en provenance de l'arrière de la cloison. La tranchée ne doit pas s'arrêter à moins de 5 pieds de l'écumoire et elle doit avoir une pente qui permettra à l'eau de s'écouler loin du bassin (Ex. 15).



- Créez une zone de drainage à l'extrémité du tuyau en creusant un petit trou d'environ 16 po de diamètre et d'au moins 12 po de profondeur que vous remplirez de gravier.
- Enduisez le tuyau de PVC souple et collez-le dans la cloison, faites-le sortir au-dessus du trou de gravier. Recouvrez le trou d'une petite bâche géotextile et de terre.
- Installer le dépassement de coude dans la cloison à l'intérieur du skimmer. L'utilisation de silicone ou du ruban de plombier (non inclus) sur le filetage avant l'installation du raccord. Serrer à la main le raccord dans la cloison, dans la mesure du possible le dépassement de bras dans la position la plus haute.

ÉTAPE 5

ADD ROCK AND GRAVEL

REMARQUE : vous pouvez vous attendre à utiliser plusieurs tonnes de pierre et de gravier pour votre pièce d'eau. Voici quelques formules utiles pour choisir la pierre et le gravier.

Calcul de la quantité de pierres pour le bassin

Longueur x largeur ÷ 65 = quantité de roches en tonnes

Gravier utilisé dans le bassin

Quantité de gravier = 30 % du poids total des roches

- En partant du fond, posez d'abord les roches de plus grande taille contre les parois verticales, puis empilez par dessus les roches plus petites (Ex. 16).



- Pour ne pas endommager la poche, soyez attentifs quand vous posez de grosses roches.
- L'ouverture à l'avant de la skimmer peut être cachée en plaçant des roches de chaque côté et en posant une pierre ou un morceau de bois de grève par dessus et en travers pour créer une sorte de petite caverne.

REMARQUE : Assurez-vous que les grosses roches ne bloquent pas le débit d'eau dans l'écumoire.

- Couvrez toutes les surfaces planes restantes à l'intérieur de l'étang avec quelques pouces de gravier décoratif. Cela aidera à verrouiller les rochers en place, ainsi qu'à recouvrir la doublure restante, en la protégeant des rayons ultraviolets et en donnant aux bactéries un endroit pour coloniser.

LAVEZ LES ROCHES ET LE GRAVIER

- À l'aide d'un tuyau d'arrosage, lavez les roches et le gravier pour retirer la poussière et la saleté. Utilisez la pompe fournie avec l'ensemble et attachez-la à un morceau de tuyau anti-pli. La pompe peut être temporairement placée à l'endroit le plus bas du bassin et l'eau sale peut être refoulée dans une zone de drainage du jardin.

ÉTAPE 6

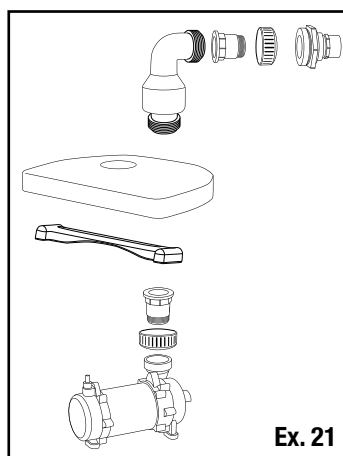
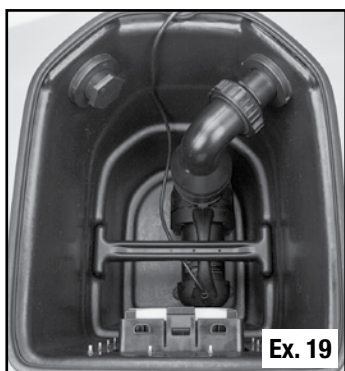
ACHEVEZ LA POSE DE LA SKIMMER

- Le clapet anti-retour Aquascape 2.0 (# 48026) (inclus avec les kits d'étang Aquascape ou vendu séparément) est livré avec deux adaptateurs utilisés à chaque extrémité du clapet anti-retour (Ex. 17). Un adaptateur se visse directement dans la pompe, l'autre se visse directement dans la cloison à l'arrière du skimmer qui alimente en eau le filtre Bio-Falls. Appliquez du mastic silicone (# 22010) ou (# 29186) ou du ruban Téflon (non inclus) sur les filets du raccord (Ex. 18).
- Veuillez consulter les instructions de montage du clapet anti-retour pour plus d'informations sur la plomberie de la pompe.



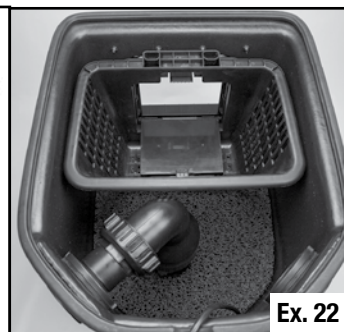
- Le deuxième trou situé à l'arrière du skimmer est destiné au trop-plein. Le débordement aidera à maintenir le niveau d'eau maximal dans l'étang après la pluie, garantissant que votre l'écumoire fonctionne correctement et l'eau ne se propage pas sur les bords de la doublure et cause des problèmes de pression hydrostatique.

Reportez-vous à la page 6 pour plus d'informations sur le débordement. Si vous n'utilisez pas le trop-plein, le raccord de cloison peut être bloqué à l'aide du bouchon 2 "comme indiqué dans (Ex. 19 et Ex. 20).



- Placer la pompe au bas de l'écumoire. Suivez les instructions de la pompe (Ex. 21).
- Une fois à l'intérieur de l'écumeur, faites passer le cordon électrique sur la dépression située à l'arrière, bord supérieur de l'écumeur (Ex. 19).
- Placez le support de filtre à l'intérieur de l'écumoire (Ex. 19). Insérez le tapis du skimmer dans le filtre (Ex. 20).

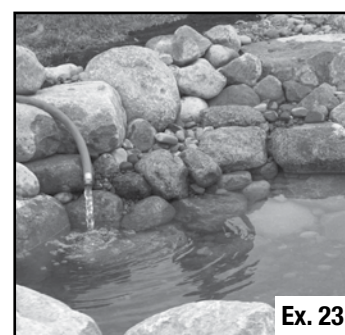
- Fixez le panier de l'écumoire (Ex. 22).



ÉTAPE 7

REMPLEISSAGE DU BASSIN

- Remplissez l'étang de sorte que le niveau d'eau soit à environ 3/4 "sous le haut de l'ouverture de l'écumoire, en veillant à rester en dessous de l'ouverture pour le trop-plein optionnel à l'intérieur de l'écumeur (Ex. 23).



REMARQUE : Nous vous recommandons d'ajouter Aquascape Pond Detoxifier pour déchlorer et conditionner correctement l'eau avant d'introduire les poissons dans votre nouvel étang. Consultez votre revendeur Aquascape pour les produits de traitement de l'eau.

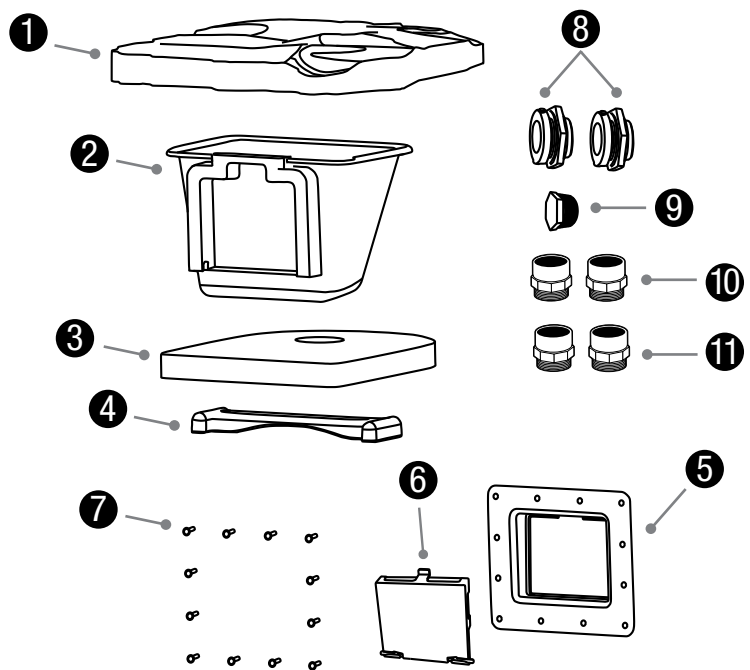
Entretien général

- Trappe du déversoir :
 - La porte du déversoir de l'écumeur de la série Signature peut être fermée pour évacuer temporairement l'eau de l'écumeur à des fins d'entretien. Ouvrez la porte du déversoir dès que l'entretien est terminé pour éviter de faire fonctionner la pompe dans des conditions de faible niveau d'eau pendant périodes prolongées.
- Panier à débris :
 - L'écumeur de la série Signature est conçu pour balayer la surface de l'eau afin qu'il soit exempt de débris. Le panier à débris à l'intérieur du skimmer se trouve le premier étage de filtrage du skimmer. Le panier recueillera les feuilles, les brindilles, les graines et autres débris de l'étang. Il faut environ deux à trois minutes toutes les deux semaines pour vider le filet à débris. Des changements plus fréquents seront nécessaires à l'automne et au printemps en raison de la quantité de feuilles tombant des arbres environnants.
 - C'est une bonne habitude de soulever périodiquement le couvercle du skimmer et de vérifier la quantité de débris dans le panier. Cela est particulièrement vrai à l'automne. Gardez une note mentale quant à la fréquence à laquelle votre panier doit être vidé. Il est important que le panier à débris ne soit pas autorisé à devenir trop plein. Trop de débris peut réduire le débit d'eau vers la pompe.
- Masse filtrante :
 - Le tapis filtrant sous le panier à débris est le deuxième étage de l'écumeur. Le tapis est conçu pour traiter tous les débris qui se frayent un chemin au-delà du panier. Le tapis n'aura pas besoin d'entretien aussi fréquemment que le panier, car le panier éliminera la majorité des débris de l'eau. Retirez et rincez le tapis lorsque vous remarquez une accumulation excessive de débris sur le tapis ou un débit réduit sur la cascade.

Pièces de rechange

Pièces de rechange pour l'écumoire

N°	Référence/description
1.	43023 – Couvercle en forme de roche
2.	43007 – Panier à débris
3.	43011 – Tampon filtreur
4.	43008 – Support de tampon filtreur
5.	43006 – Plaque frontale extérieure
6.	43005 – Trappe du déversoir
7.	54001 – (2) Vis en laiton (8 pk)
8.	29103 – Raccords de traversée de cloison (2)
9.	29394 – Bouchon de 2 po
10.	29158 – 2 po MPT x 2 po Slip
11.	29157 – 2 po MPT x 1,5 po Slip



Informations sur la garantie

GARANTIE À VIE

Aquascape garantit que l'écumoire d'étang Signature Series 400 sera exempt de défauts de fabrication pendant toute la durée de vie du produit s'il est correctement installé et entretenu. Preuve d'achat requise. La garantie ne couvre pas les dommages résultant d'une manipulation négligente, d'une mauvaise utilisation ou d'un manque d'entretien ou de soins raisonnables. Si lors de l'inspection d'Aquascape, l'écumoire montre la preuve d'un défaut de fabrication, la responsabilité d'Aquascape est limitée, au choix d'Aquascape, à la réparation du défaut, au remplacement du produit défectueux ou au remboursement du prix d'achat d'origine. La garantie exclut les frais de main-d'œuvre, de retrait du produit, d'expédition et les dépenses liées à l'installation et à la réinstallation du produit. Tous les produits qui incluent la plomberie (tubes, pompes, clapets anti-retour) doivent être correctement drainés et hivernés, sinon la garantie est nulle et non avenue. Aucune responsabilité en cas de perte ou de dommage de quelque nature ou nature que ce soit, résultant de ou de l'utilisation du produit, défectueux ou non, n'est assumée par Aquascape, Inc. ou ses filiales. Aquascape ne sera pas responsable des dommages accessoires, consécutifs ou autres découlant de quelque théorie du droit que ce soit.

GARANTIE UN AN

Aquascape garantit que les pièces internes en plastique du skimmer seront exemptes de défauts de fabrication pendant un an à compter de la date d'achat du produit si elles sont correctement installées et entretenues. Preuve d'achat requise. Les tampons et supports filtrants sont des consommables et ne sont couverts par aucune garantie. Si lors de l'inspection d'Aquascape, les pièces internes en plastique montrent la preuve d'un défaut de fabrication, la responsabilité d'Aquascape est limitée, au choix d'Aquascape, à la réparation du défaut, au remplacement du produit défectueux ou au remboursement du prix d'achat d'origine. La garantie exclut les frais de main-d'œuvre, de retrait du produit, d'expédition et les dépenses liées à l'installation et à la réinstallation du produit. Aucune responsabilité en cas de perte ou de dommage de quelque nature ou nature que ce soit, résultant de ou de l'utilisation du produit, défectueux ou non, n'est assumée par Aquascape, Inc. ou ses filiales. Aquascape ne sera pas responsable des dommages accessoires, consécutifs ou autres découlant de quelque théorie du droit que ce soit.

Pour plus de renseignements sur notre entreprise ou nos produits, veuillez vous rendre sur notre site [Web aquascapeinc.com](http://www.aquascapeinc.com) ou nous appeler au (866) 877-6637 (aux É.-U.) ou au (866) 766-3426 (au Canada).