



POND FILTER URN

Small Pond Filter Urn
Item #77006

Large Pond Filter Urn
Item #77011



Instructions

STEP 1

- Unpack the components and rinse the included filtration media. Then, insert the filter mat and ceramic filtration rings into the filter (Ex. 1).



STEP 2

- Place the urn in your desired location with the mouth of the urn positioned over the pond or water feature (Ex. 2).

STEP 3

- Attach the included pipe/ tubing to the barb at the back of the filter (Ex. 3). Then, attach the other end to a compatible water pump (not included). If desired, a hose clamp (not included) can be used to secure the connections.



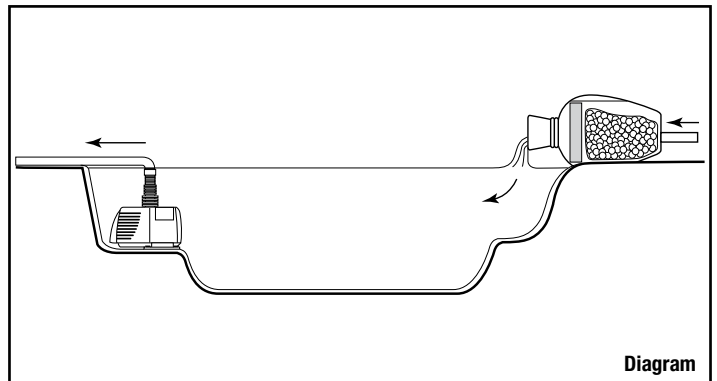
STEP 4

- Plug in the pump and enjoy (Ex. 4).

General Maintenance

The included filter mat and ceramic filtration rings will need to be cleaned periodically. You will know when it is time to clean the media when water starts to pour over the top safety overflow, bypassing the filtration media. Clean the media by rinsing in a bucket of clean pond water.

NOTE: Rinsing the filtration media with chlorinated tap water may kill or damage beneficial bacteria colonizing within the media. When cleaning filter media make sure to use pond water in a clean bucket or container, intended for pond-use only, in order to avoid contamination.



Diagram

For more information about our company or products, please visit our website at aquascapeinc.com or call us at US (866) 877-6637 or CAN (866) 766-3426