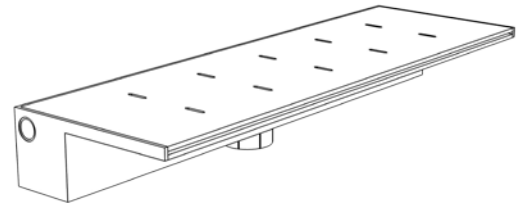
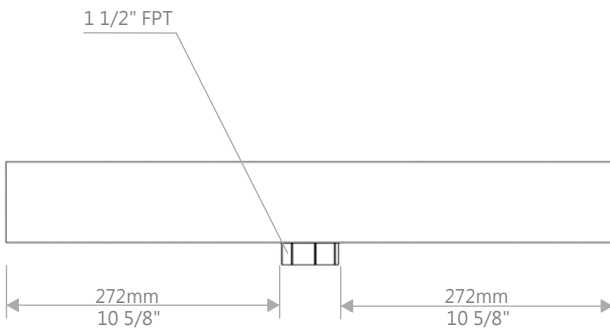
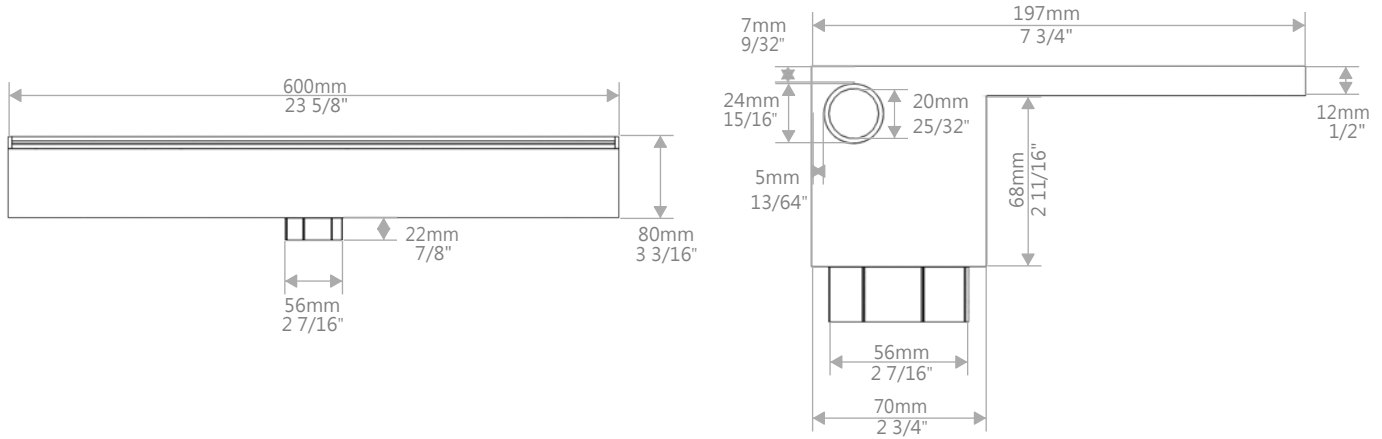


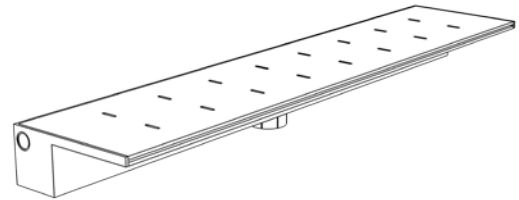
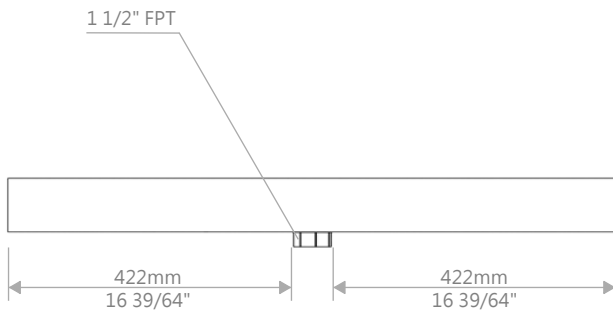
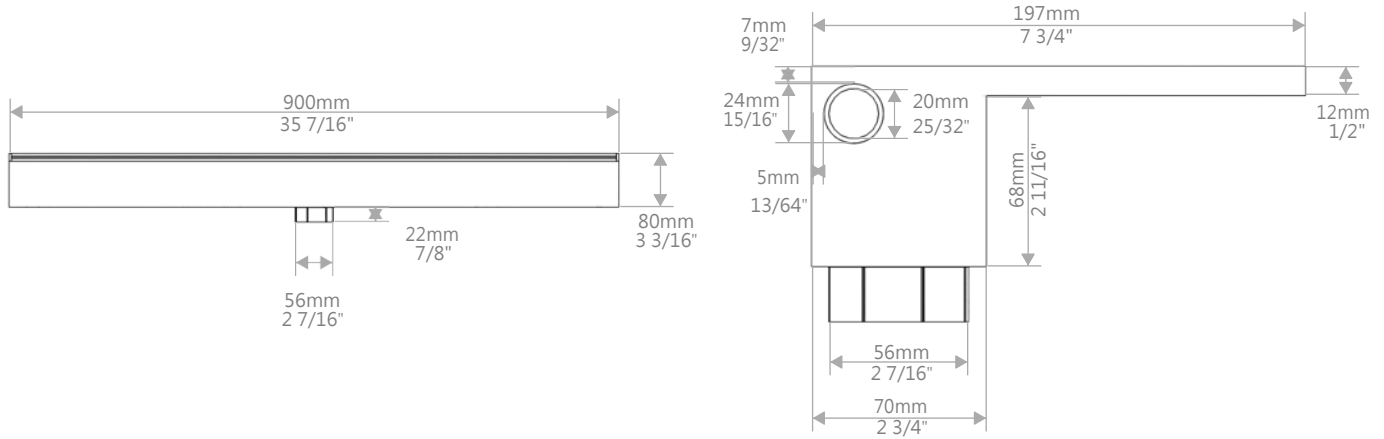
ACRYLIC WEIR 1'
SEG5010L125

NOTE: ALL INFORMATION ENCLOSED WAS CURRENT AT THE TIME OF DEVELOPMENT, BUT SHOULD BE REVIEWED BY THE PRODUCT MANUFACTURER TO BE CONSIDERED ACCURATE.



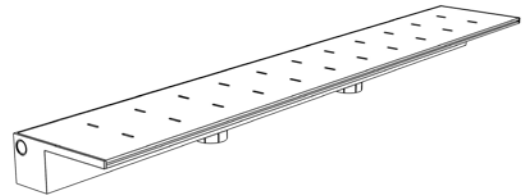
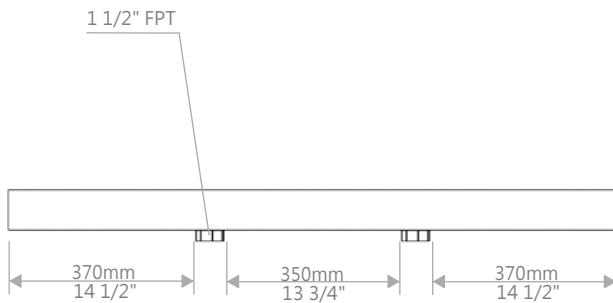
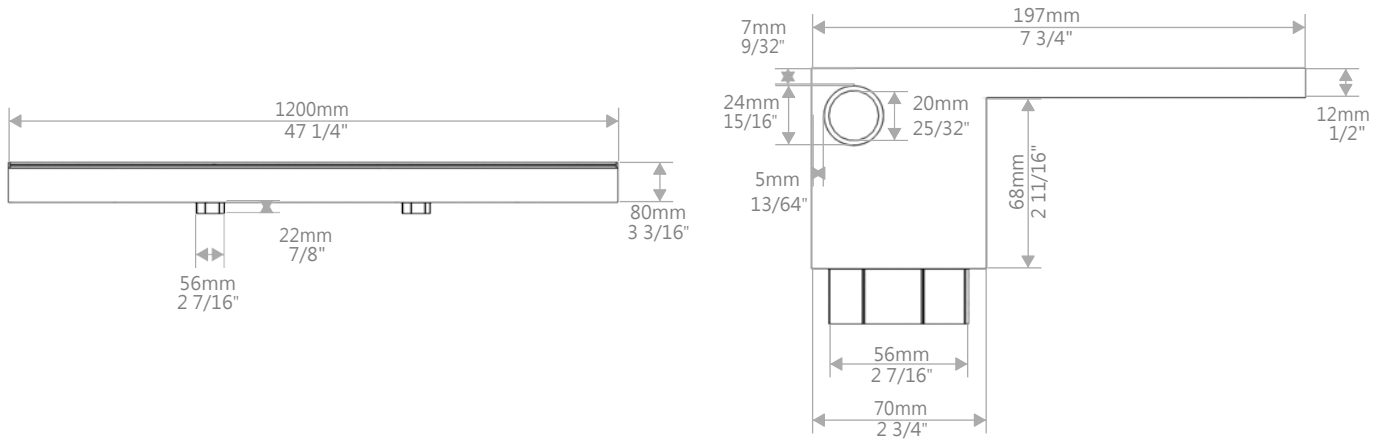
ACRYLIC WEIR 2'
 SEG5020L125

NOTE: ALL INFORMATION ENCLOSED WAS CURRENT AT THE TIME OF DEVELOPMENT, BUT SHOULD BE REVIEWED BY THE PRODUCT MANUFACTURER TO BE CONSIDERED ACCURATE.



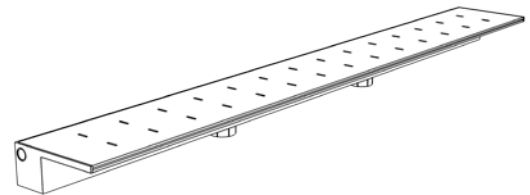
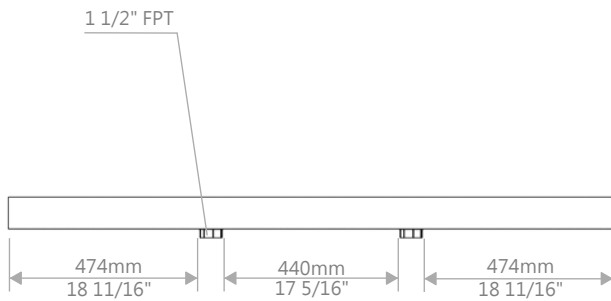
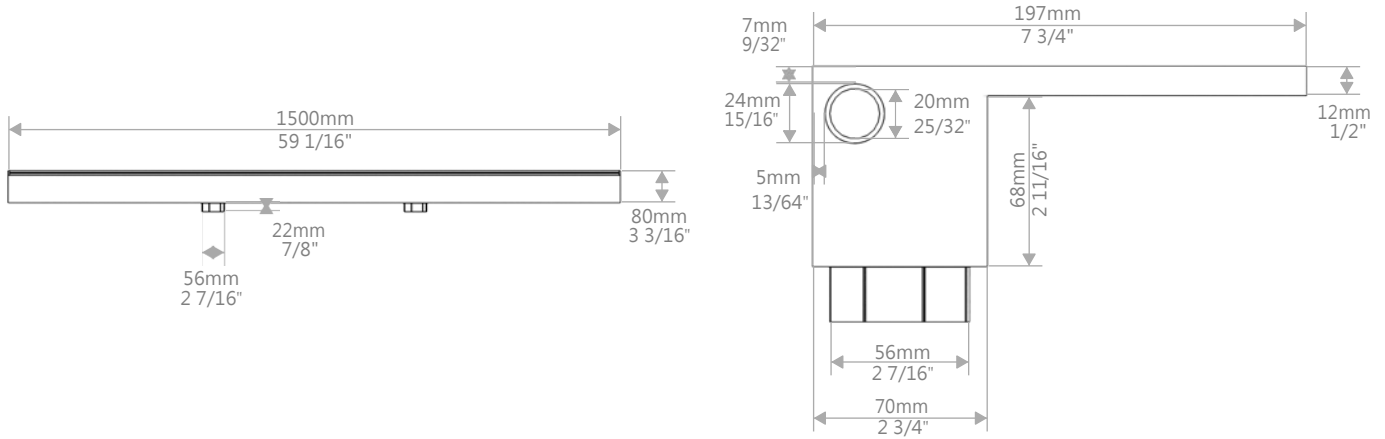
ACRYLIC WEIR 3'
SEG5030L125

NOTE: ALL INFORMATION ENCLOSED WAS CURRENT AT THE TIME OF DEVELOPMENT, BUT SHOULD BE REVIEWED BY THE PRODUCT MANUFACTURER TO BE CONSIDERED ACCURATE.



ACRYLIC WEIR 4'
SEG5040L125

NOTE: ALL INFORMATION ENCLOSED WAS CURRENT AT THE TIME OF DEVELOPMENT, BUT SHOULD BE REVIEWED BY THE PRODUCT MANUFACTURER TO BE CONSIDERED ACCURATE.



ACRYLIC WEIR 5'
 SEG5050L125

NOTE: ALL INFORMATION ENCLOSED WAS CURRENT AT THE TIME OF DEVELOPMENT, BUT SHOULD BE REVIEWED BY THE PRODUCT MANUFACTURER TO BE CONSIDERED ACCURATE.