

VFX
9' Tall x 34' Wide

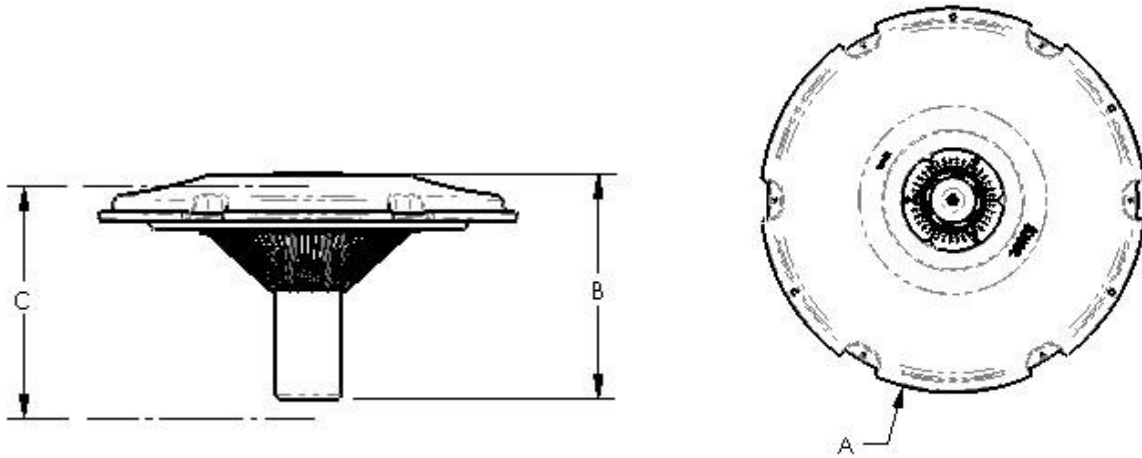
Quick Facts	
<p>Complete Package Includes:</p> <ul style="list-style-type: none"> • Motor Unit • Control Panel • Float with Screens & Mooring Lines • UL, CSA & NEC Approved Underwater Rated Cable 	<ul style="list-style-type: none"> • Total Package Listed by ETL to UL/CSA Standards • Top Intake for Shallow Operation • Salt Water Compatible • Packaged for Convenient Shipping
<p style="text-align: center;">Motor Unit</p> <ul style="list-style-type: none"> • 5HP, Voltage Operating Range of 208-240V, Single Phase • Class B Insulation • 1750 RPM Avg, 1800 Nominal • Oil Cooled • Continuous Duty Rated • 17mm Top and 20mm Bottom Bearings • Thermal Overload Protection • Dual, Fully Unitized Heavy-Duty Carbon Ceramic • Series 300 Austenitic Stainless-Steel Can • Cast Stainless Steel Motor Top • Sacrificial Zinc Anode Installed on 316 SST Shaft 	<p style="text-align: center;">Float</p> <ul style="list-style-type: none"> • UV Resistant High-Density Polyethylene • Single Piece • 300 Series Stainless Steel Hardware • 300 Series Stainless Steel Top Screen • Protective Coated, 300 Series Stainless Steel Bottom Screen • Three 50' Braided Nylon Mooring Ropes
<p style="text-align: center;">Fountain Components</p> <ul style="list-style-type: none"> • Custom Thermoplastic Propeller • UV Resistant Thermoset Composite Draft Tube • UV Resistant Thermoplastic Deflector Disc • 300 Series Stainless Steel Hardware 	<p style="text-align: center;">Power Cable</p> <ul style="list-style-type: none"> • UL, CSA & NEC Approved Underwater Rated Cable • 3 Wire (L1, L2, G) • Quick Disconnect standard • Stainless Steel Strain Relief standard • 6' Flex Sleeving Protection • Optional Flex Sleeving for entire cord length available
<p style="text-align: center;">Control Panel</p> <ul style="list-style-type: none"> • UL 508 Listed • UL Type 3r/4x Thermoplastic Enclosure • 30 Amp Breaker • GFCI Protection with 5ma Trip Level • Surge Protector • 24 Hour Mechanical Fountain Timer • Terminal Block Wiring • 24 Hour Mechanical Timer for Optional Lighting • 4 Wire Power Required (L1, L2, N, G) 	<p style="text-align: center;">Optional Lighting</p> <ul style="list-style-type: none"> • See Lighting Specs

Model #	HP	Cord Length (Feet)	Cord Gauge*	Voltage/Phase/Hz	Running Amps	Lock Rotor Amps	Sugg. Pond Size (Surface acre)**	Min Depth of Operation (Inches)	Shipping Weight (Lbs)	Number of Boxes
5.1VFX100	5	100	12/3	208-240V 1/60	20	97	Up to 2.5	26	186	4***
5.1VFX150		150	10/3						207	
5.1VFX200		200	10/3						222	
5.1VFX250		250	8/3						286	
5.1VFX300		300	6/3						376	
5.1VFX400		400	6/3						460	
5.1VFX500		500	6/3						530	

** Actual shape, depth, & oxygen demand should be considered when selecting a unit size.

*** Ships motor freight only.

500' and longer cord lengths available by custom order only.



A	Float Diameter	47.4 Inches
B	Unit Height	25.3 Inches
C	Min Operating Depth	26 Inches