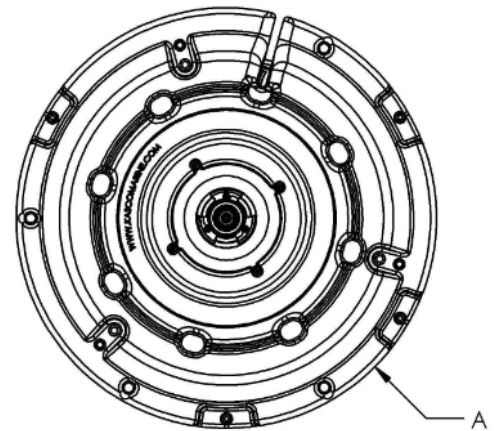
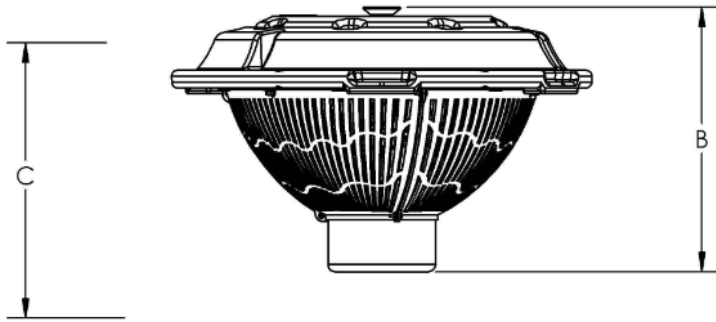


<b>Quick Facts</b>	
<p><b>Complete Package Includes:</b></p> <ul style="list-style-type: none"> <li>Motor Unit</li> <li>Control Panel</li> <li>Float with Screens &amp; Mooring Lines</li> <li>UL, CSA &amp; NEC Approved Underwater Rated Cable</li> <li>4 Nozzles</li> </ul>	<ul style="list-style-type: none"> <li>Total Package Listed by ETL to UL/CSA Standards</li> <li>Top Intake for Shallow Operation</li> <li>Salt Water Compatible</li> <li>Packaged for Convenient Shipping</li> </ul>
<p style="text-align: center;"><b>Motor Unit</b></p> <ul style="list-style-type: none"> <li>3/4HP, Operating Voltage of 120Vac, Single Phase</li> <li>1750 RPM</li> <li>Oil Cooled</li> <li>Continuous Duty Rated</li> <li>17mm Top and Bottom Bearings</li> <li>Thermal Overload Protection</li> <li>Fully Unitized Heavy-Duty Carbon Ceramic Mechanical Seal</li> <li>Series 300 Austenitic Stainless-Steel Can</li> <li>Engineering Grade Thermoplastic Top</li> <li>Sacrificial Zinc Anode</li> </ul>	<p style="text-align: center;"><b>Float</b></p> <ul style="list-style-type: none"> <li>UV Resistant High-Density Thermoplastic</li> <li>Single Piece Float</li> <li>Protective Coated 300 Series Stainless Steel Hardware</li> <li>Thermoplastic Protective Bottom Screen</li> <li>Two 50' Braided Nylon Mooring Ropes</li> </ul>
<p style="text-align: center;"><b>Fountain Components</b></p> <ul style="list-style-type: none"> <li>Custom Thermoplastic Impeller</li> <li>UV Resistant Thermoplastic Cone &amp; Fountain Housing</li> <li>300 Series Stainless Steel Hardware</li> <li>4 Thermoplastic Nozzles (5 patterns)</li> <li>Easy, No Tools Nozzle/Pattern Change</li> <li>Thermoplastic Baseplate and Housing</li> </ul>	<p style="text-align: center;"><b>Power Cable</b></p> <ul style="list-style-type: none"> <li>UL, CSA &amp; NEC Approved Underwater Rated Cable</li> <li>3 Wire (L, N, G)</li> <li>Quick Disconnect standard on 12 AWG &amp; Larger Cords, &amp; is optional on smaller gauge cords</li> <li>Stainless Steel Strain Relief on 12 AWG &amp; Larger Cords</li> <li>6' Flex Sleeving Protection</li> <li>Optional Flex Sleeving for entire cord length available</li> </ul>
<p style="text-align: center;"><b>Control Panel</b></p> <ul style="list-style-type: none"> <li>UL Type 3r/4x Thermoplastic Enclosure</li> <li>GFCI Protection with 5ma Trip Level</li> <li>24 Hour Mechanical Aerator Timer</li> <li>Photo Eye for Optional Lighting</li> <li>120V Plug on 3' Power Cord</li> </ul>	<p style="text-align: center;"><b>Optional Lighting</b></p> <ul style="list-style-type: none"> <li>See Lighting Specs</li> </ul>

Model #	HP	Cord Length (Feet)	Cord Gauge*	Voltage/Phase/Hz	Running Amps	Lock Rotor Amps	Sugg. Pond Size (Surface Acre)**	Min Depth of Operation (Inches)	Number of Boxes
3400JF050	3/4	50	16/3	120V 1/60	6.7	18	Up to 1/3	17.5	2
3400JF100		100	14/3						2
3400JF150		150	12/3						3
3400JF200		200	12/3						3

\* 12AW & larger cords include quick disconnect and stainless steel strain relief.

\*\* Actual shape, depth, & oxygen demand should be considered when selecting a unit size.



A	Float Width w/ Brackets	28 Inches
B	Unit Height	17 Inches
C	Min Operating Depth	17.5 Inches