

Channel Planter



Shown in Grey and Whitewash

Cold Painted Terra Cotta Collection

Campania's terra cotta planters are handmade from natural clay using traditional artisanal techniques and high-fired at temperatures between 990-1000 degrees centigrade to ensure frost resistance and durability.

As the name implies, cold painted indicates that the color is applied to the surface of the piece after its fired. As such, the color is not integral to the piece as in a fully glazed planter. To maintain the integrity of the surface color of the planter, we recommend that Cold Painted pieces be used indoors only.

Please note that actual colors may vary slightly from those depicted here.

Material	Item Description	Item #	Available Colors	Outside Dimensions	Base Dimensions	Planting Dimensions	Approx. Weight
Cold Painted	Channel Planter - S/4	2259-18404	(184) Whitewash				29 lbs/set of 2
Cold Painted	Channel Planter - Large	2259-18400	(184) Whitewash	14" Diam. x 12"H	9.25" Diam.	12.25" Diam. x 11.25"H	19 lbs
Cold Painted	Channel Planter Saucer - Large		(184) Whitewash	11.5" Diam. x 1.5"H	10.5" Diam.	11.25" Diam. x 1"H	4 lbs
Cold Painted	Channel Planter - Small	2259-18401	(184) Whitewash	10.25" Diam. x 9.5"H	6.75" Diam.	9" Diam. x 8.75"H	10 lbs
Cold Painted	Channel Planter Saucer - Small		(184) Whitewash	9.75" Diam. x 1.25"H	8" Diam.	9" Diam. x 1"H	2 lbs

Note: Planters have drainage holes and saucers are included, but not attached.
Drainage holes are 0.5" diameter and centered. Each set contains 2 sets of 2 sizes.

COLORS

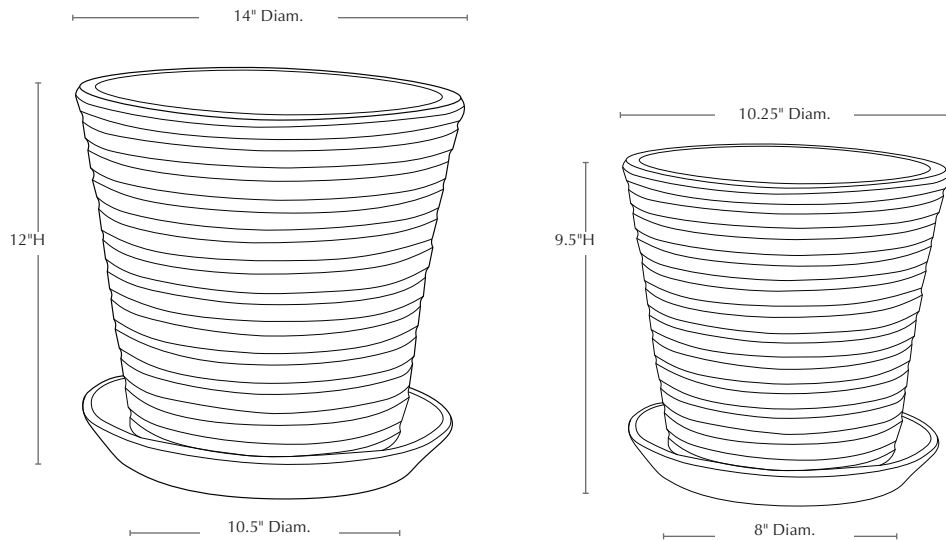
Campania offers a wide variety of colors and textures across its full line of Glazed and Terra Cotta products. Please view our catalog or website to view all available color and texture options.



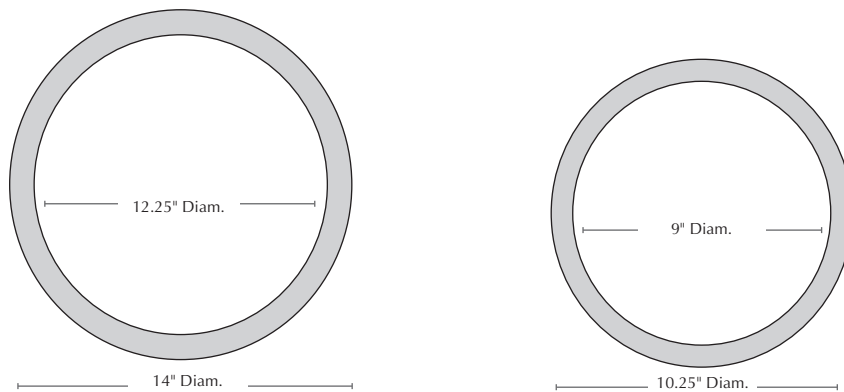
(184)
Whitewash

Channel Planter

Isometric View



Top View



Materials: Natural clay and natural glazing elements

Care & Maintenance/Planting Instructions: Cold painted planters are recommended for indoor use only. If your planter is supplied with a saucer and drain hole, it is important that the drain holes remain unobstructed to ensure proper drainage.

Cleaning Instructions: It is recommended that Campania's Cold Painted planters can be cleaned with mild soapy water. Do not use alcohol based or corrosive cleaners or clean with anything abrasive.

Warranty: Campania International provides a limited 3 year warranty for material and manufacturing defects only assuming proper product care and maintenance as described in Campania's product specifications. Please refer to Campania's care instructions for proper care and maintenance. In addition to the failure to properly care for and maintain the product, this limited warranty does not apply to any defects which occur in the color or surface of the product which are the result of natural weathering, exposure to the elements or improper winterization. Campania International will not be held liable for any incidental or consequential damages, including but not limited to damage to any plants which may have been planted in the product.