

# Anders Bowl



*Shown in Whitewash*

## Cold Painted Terra Cotta Collection

Campania's terra cotta planters are handmade from natural clay using traditional artisanal techniques and high-fired at temperatures between 990-1000 degrees centigrade to ensure frost resistance and durability.

As the name implies, cold painted indicates that the color is applied to the surface of the piece after its fired. As such, the color is not integral to the piece as in a fully glazed planter. To maintain the integrity of the surface color of the planter, we recommend that Cold Painted pieces be used indoors only.

*Please note that actual colors may vary slightly from those depicted here.*

Material	Item Description	Item #	Available Colors	Outside Dimensions	Base Dimensions	Planting Dimensions	Approx. Weight
Cold Painted	Anders Bowl	2256-18404	(184) Whitewash				7 lbs/set of 2
Cold Painted	Anders Bowl - Medium	2256-18400	(184) Whitewash	8.5" Diam. x 5"H	6.25" Diam.	6.75" Diam. x 4"H	5 lbs
Cold Painted	Anders Bowl - Small	2256-18401	(184) Whitewash	6.25" Diam. x 3.75"H	4.75" Diam.	5" Diam x 3.25"H	2 lbs

**Note:** Each set contains 2 sets of 2 sizes of each bowl shown. Planters do not have drainage holes.

### COLORS

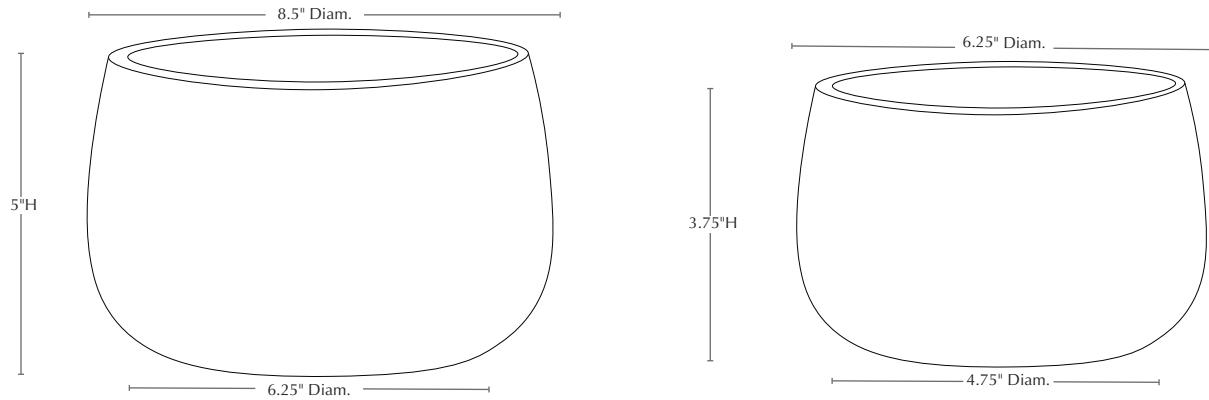
Campania offers a wide variety of colors and textures across its full line of Glazed and Terra Cotta products. Please view our catalog or website to view all available color and texture options.



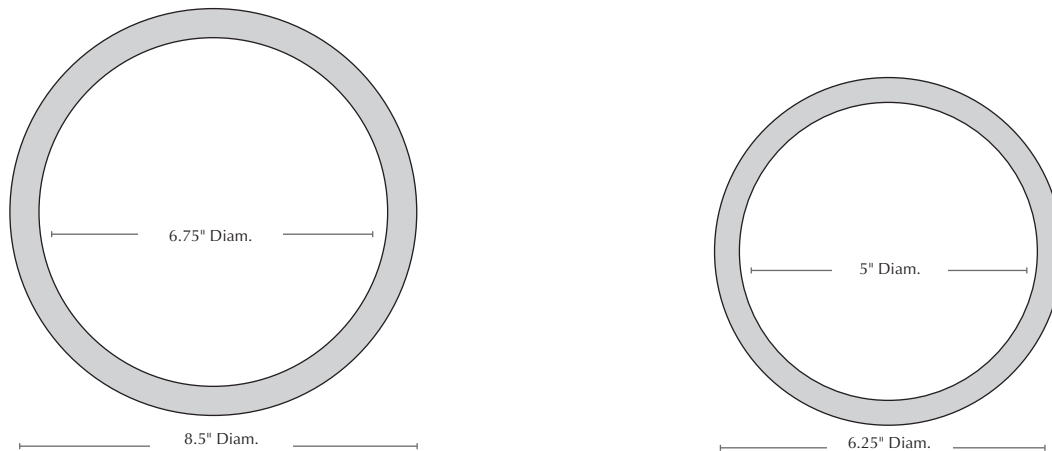
(184)  
Whitewash

# Anders Bowl

## Isometric View



## Top View



**Materials:** Natural clay and natural glazing elements

**Care & Maintenance/Planting Instructions:** Cold painted planters are recommended for indoor use only. If your planter is supplied with a saucer and drain hole, it is important that the drain holes remain unobstructed to ensure proper drainage.

**Cleaning Instructions:** It is recommended that Campania's Cold Painted planters can be cleaned with mild soapy water. Do not use alcohol based or corrosive cleaners or clean with anything abrasive.

**Warranty:** Campania International provides a limited 3 year warranty for material and manufacturing defects only assuming proper product care and maintenance as described in Campania's product specifications. Please refer to Campania's care instructions for proper care and maintenance. In addition to the failure to properly care for and maintain the product, this limited warranty does not apply to any defects which occur in the color or surface of the product which are the result of natural weathering, exposure to the elements or improper winterization. Campania International will not be held liable for any incidental or consequential damages, including but not limited to damage to any plants which may have been planted in the product.