



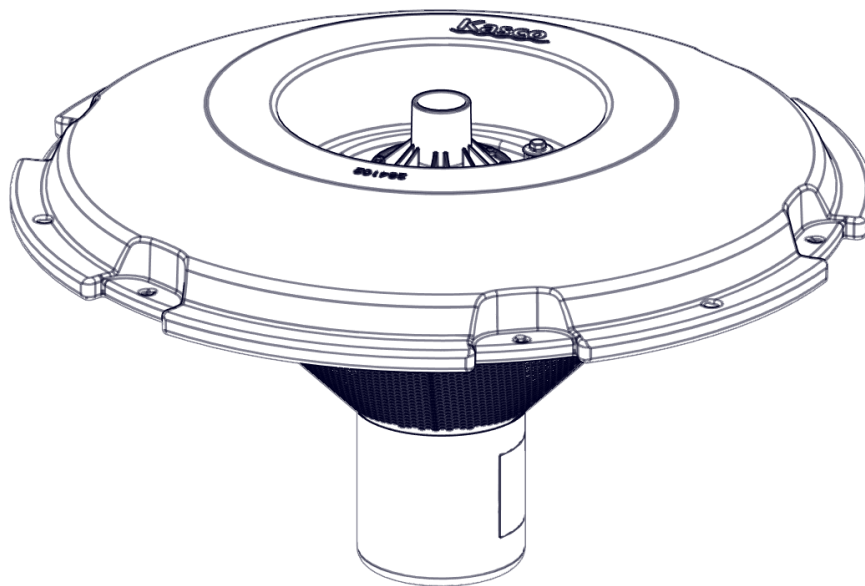
Owners Manual

J Series Fountains

8400JF, 3.1JF

2.3JF, 3.3JF

2.3HJF, 3.3HJF



Intertek

3020379

ANSI/UL 778: 2016

Ed.6+R:22Feb2017

CSA C22.2 #108: 2014 Ed.5

Kasco Marine, Inc.

800 Deere Rd.

Prescott, WI 54021

PH (715) 262-4488

kascomarine.com

Manual Number

884168

Table of Contents

Important Safety & Additional Notes	pg 2-3
Tools and Supplies Needed, Unit Specs	pg 3
Parts, Nozzles Included	pg 4 – 5
Optional Premium Nozzles	pg 6
Assembly Instructions	pg 7 – 9
Nozzle Installation Instructions	pg 10
Unit Installation Instructions	pg 11
3-Phase Startup Procedure	pg 12
Maintenance	pg 13
Warranty	pg 14
Repair	pg 15
Troubleshooting Tips	pg 16 – 17
Replacement Parts	pg 18 – 19
Repair Contact Form	pg 21

Important Safety:

Please read and follow these important instructions to help ensure your safety and the quality performance of your Kasco equipment.

- Caution should be used when dealing with any electrical and/or moving equipment.
- **Under NO CIRCUMSTANCE should anyone enter the water with the electrical equipment plugged in and/or in operation.**
- Kasco Aerating Fountains are intended for use with a Listed control panel having a GFCI protected receptacle, or field wiring terminals and disconnect switch, or a timer with a disconnect for use with a GFCI receptacle. Control panels **MUST** be installed by a qualified electrician. Ground Fault Circuit Interrupters (GFCIs) should be tested upon each installation and every month thereafter to ensure proper operation.
- Single-phase units are supplied with an internal grounding conductor and/or a grounding-type attachment plug. To reduce the risk of electrical shock, be certain the unit is properly connected to the Kasco-supplied control panel (refer to the instructions included with your control panel).
- 3-phase units (2.3JF, 3.3JF, 5.3JF, 7.3JF, 2.3HJF, 3.3HJF, 5.3HJF, 7.3HJF) require a startup test after wiring to ensure proper rotation of the impeller. If the impeller is rotating in the opposite direction, the unit will not perform properly and internal damage to the unit may occur (see 3-phase startup procedure on page 12).
- **NEVER** run the unit out of the water. This will damage the seals and create a dangerous situation for the operator.

- Extreme caution should be used around water, especially cold water, as in Spring, Fall, and Winter, which poses a hazard in and of itself.
- NEVER lift or drag the equipment by the power cords. If you need to pull the unit to the side of the pond, use the anchoring ropes.
- Do not use boats that tip easily for installation and follow all boating safety rules and regulations, including wearing a PFD (Personal Flotation Device). Do not use waders in deep ponds/lakes or ponds/lakes with drop-offs, drastic slopes, or soft bottom material.
- For more information regarding your control panel instructions, refer to your control panel owner's manual. A control panel must be installed a minimum of 5 feet (3m in Canada) from the body of water unless separated from the body of water by a fence, wall, or other permanent barrier that will make the unit inaccessible to persons in the water. A complete list of control panels can be found in the Accessories section of kascomarine.com.

Additional Notes

During flotation operation, water is pulled from 360° around and directly below the unit. Keep these areas clear of debris as much as possible to decrease frequency of screen cleaning.

Tools and Supplies Needed

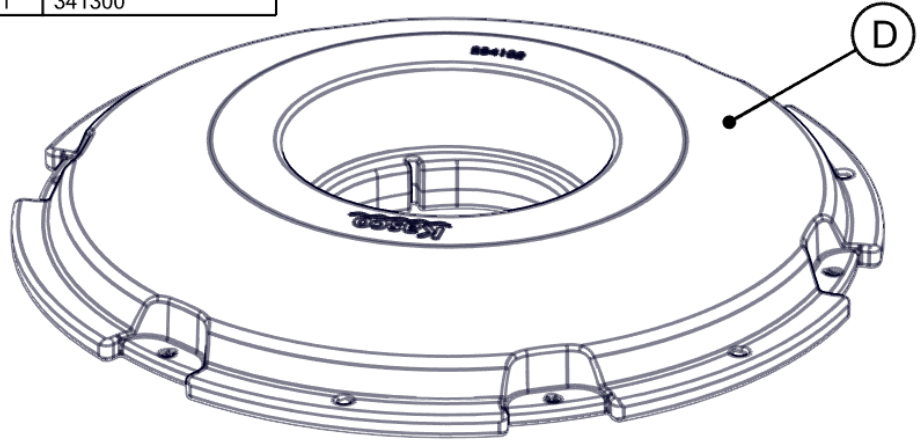
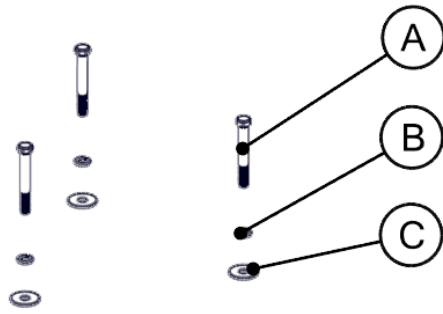
- (3) Anchors or stakes for installing unit
- 208-240V electrical supply near pond on a post with room for mounting the control panel
- (4) #10 x 1" long or longer screws for mounting the control panel
- 9/16" socket with extension and ratchet (optional)
- 7/16" socket and ratchet or combination wrench (optional)
- (3) 12" pieces of 1" galvanized pipe for weighting ropes (optional)

Unit Specs

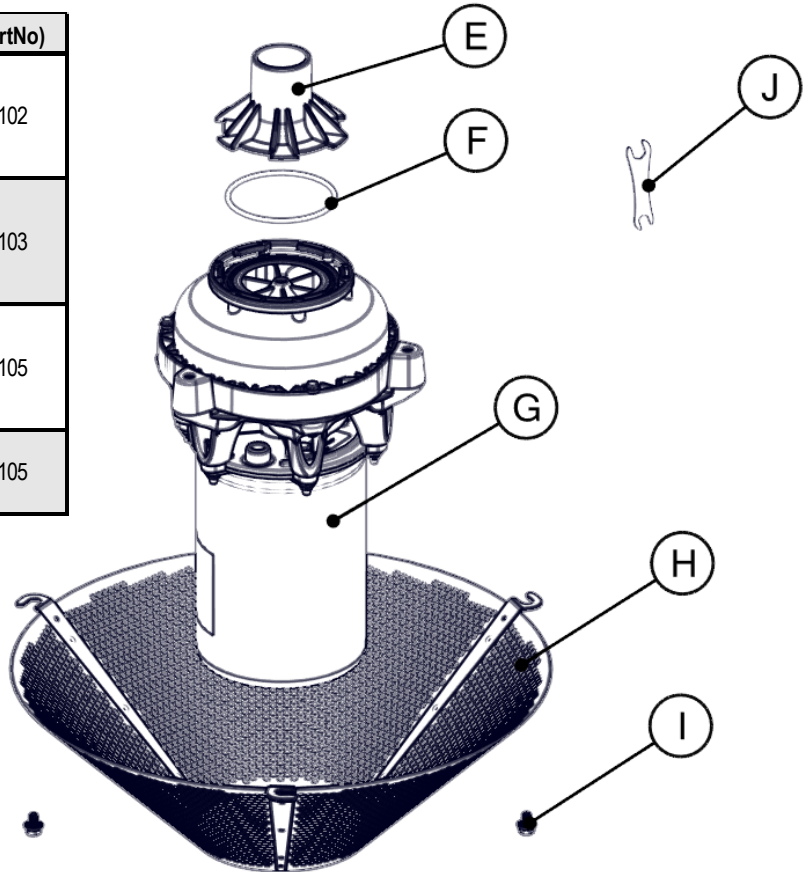
Model	HP	Voltage	Operating Amps	Locked-Rotor Amps	Control Panel Connection	Unit connection
Single-Phase Units						
8400JF	2	208-240	10	40	Hardwire C-85	Hardwire C-85
3.1JF	3	208-240	13.4	61	Hardwire C-95	Hardwire C-95
5.1JF	5	208-240	20	97	Hardwire C-95	Hardwire C-95
3-Phase Units						
2.3JF	2	208	7.5	40	See control panel instructions	
3.3JF	3	208	10.3	70		
5.3JF	5	208	16	100		
7.3JF	7.5	208	20	100		
2.3HJF	2	460	3.8	24		
3.3HJF	3	460	5.2	40		
5.3HJF	5	460	8	49		
7.3HJF	7.5	460	10	50		

Parts Included

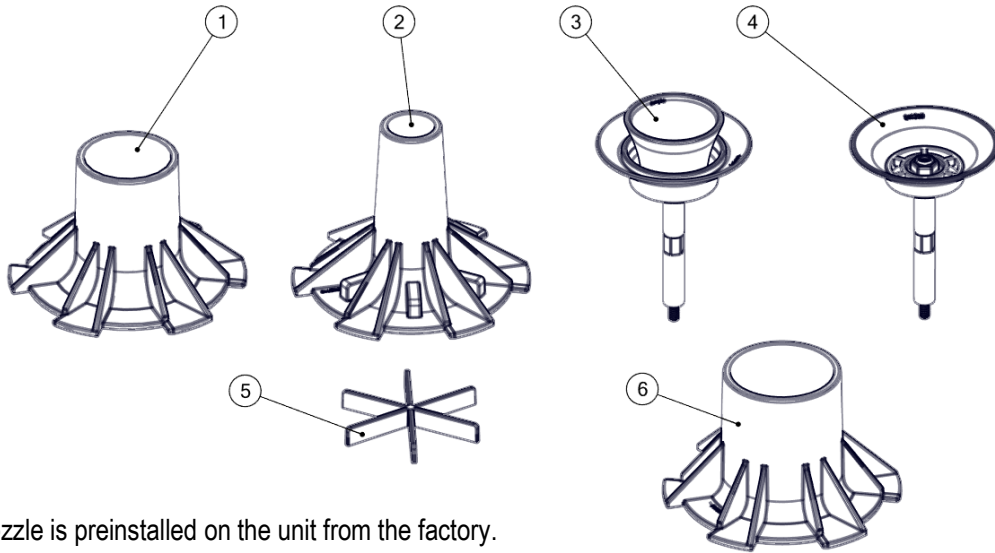
ID	Description	Qty	PartNo
A	3/8-16 x 3" Hex Head Screw	3	820093
B	3/8" Lock Washer	3	566230
C	3/8 x 1.25" OD Fender Washer	3	840325
D	Float, Single Piece	1	See Table Below
E	Interchangeable Nozzles	5	See "Nozzles" Section
F	Nozzle O-ring, Large J	2	841217
G	Large JF Unit Assembly	1	See Table Below
H	Bottom Screen, Large J	1	284101
I	3/8-16 x 1/2" Serrated Hex Head Screw	3	820092
J	7/16" & 9/16" Wrench Tool	1	284139
K	Rope, 50ft (not pictured)	3	990700
L	Cable Tie (not pictured)	4	415038
M	Dielectric Grease (not pictured)	1	341300



Unit Size	Voltage/Phase	G (PartNo)	D (PartNo)
2hp	208-240/1φ	8400JF	284102
	208/3φ	2.3JF	
	460/3φ	2.3HJF	
3hp	208-240/1φ	3.1JF	284103
	208/3φ	3.3JF	
	460/3φ	3.3HJF	
5hp	208-240/1φ	5.1JF	284105
	208/3φ	5.3JF	
	460/3φ	5.3HJF	
7hp	208/3φ	7.3JF	284105
	460/3φ	7.3HJF	



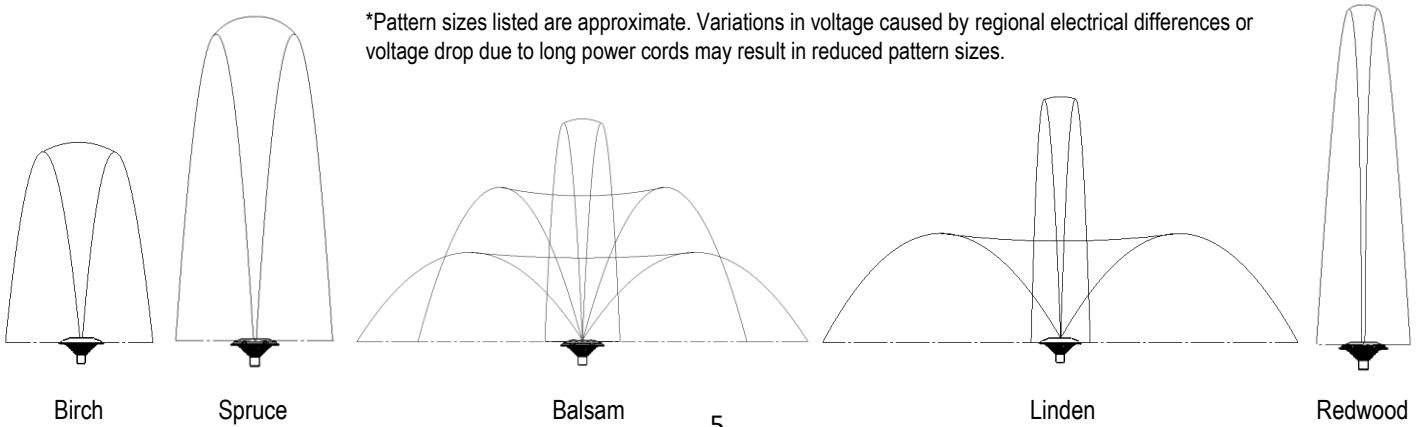
Nozzles Included



Note: The Birch nozzle is preinstalled on the unit from the factory.

ID	Pattern	Descripton	HP	Height	Width	Included in Kit
1	Birch	Wide geyser	2	11'	10'	284302
			3	16'	12'	
			5	24'	14'	284305
			7.5	26'	16'	
2	Spruce	Narrow geyser	2	21'	10'	284302
			3	26'	12'	
			5	31'	12'	284305
			7.5	34'	12'	
3	Balsam	3-tiered conical pattern, uses Outlet nozzle	2	14'	32'	284302
			3	19'	34'	
			5	18'	34'	284305
			7.5	21'	36'	
4	Linden	Center geyser with lower conical pattern, uses Outlet nozzle	2	15.5'	38'	284302
			3	20.5'	38'	
			5	24.5'	46'	284305
			7.5	26'	46'	
5	Redwood	Tall and narrow geyser, uses Spruce nozzle with insert	2	22'	6'	284302
			3	27'	6'	
			5	32'	6'	284305
			7.5	36'	8'	
6	Outlet	Large outlet, for use exclusively in conjunction with Balsam and Linden nozzles	2	See Balsam and Linden nozzle dimensions		284302
			3			
			5			284305
			7.5			

*Pattern sizes listed are approximate. Variations in voltage caused by regional electrical differences or voltage drop due to long power cords may result in reduced pattern sizes.

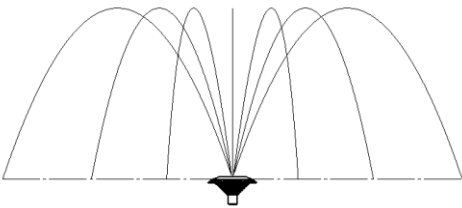


Optional Premium Nozzles (not included)

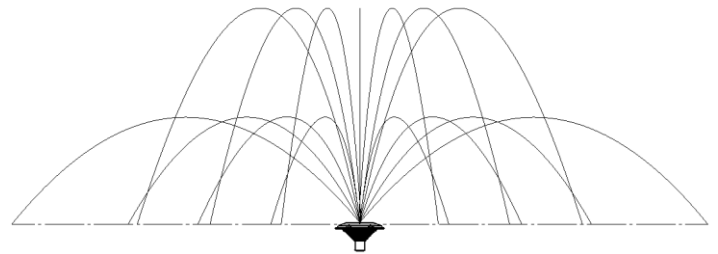
Premium nozzles are not included as standard but may be added and installed at any time. These nozzles offer unique patterns that truly showcase your pond or lake. Contact Kasco Marine at sales@kascomarine.com or your local distributor for order information.

Pattern	Descripton	HP	Height	Width	PartNo
Palm	<i>1 tier of 12 arcing streams</i>	2	12'	26'	841320
		3	16'	36'	
		5	20.5'	40'	
		7.5	22'	42'	
Magnolia	<i>16 (2 tiers of 8) arcing streams</i>	2	13.5'	44'	841325
		3	18'	60'	
		5	23.5'	72'	
		7.5	26'	80'	
Mighty Oak	<i>24 (3 tiers of 8) arcing streams</i>	2	14.5'	40'	841335
		3	19.5'	51'	
		5	24.5'	58'	
		7.5	26'	60'	
Mahogany	<i>Center geyser with 16 (2 tiers of 8) arcing streams</i>	2	16'	40'	841345
		3	21'	58'	
		5	28'	64'	
		7.5	29'	72'	

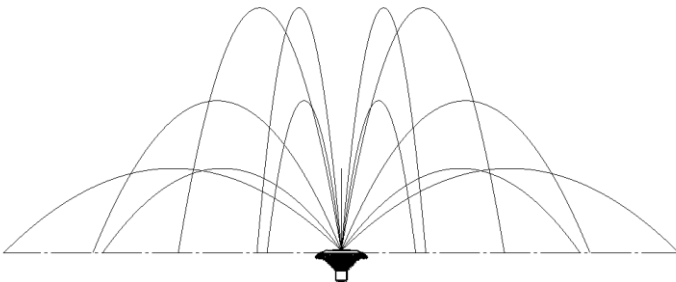
*Pattern sizes listed are approximate. Variations in voltage caused by regional electrical differences or voltage drop due to long power cords may result in reduced pattern sizes.



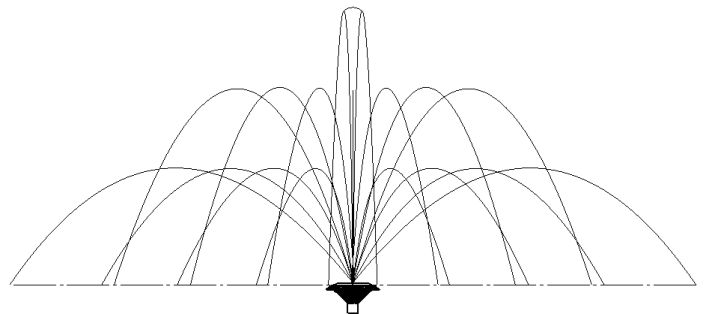
Palm



Magnolia



Mighty Oak

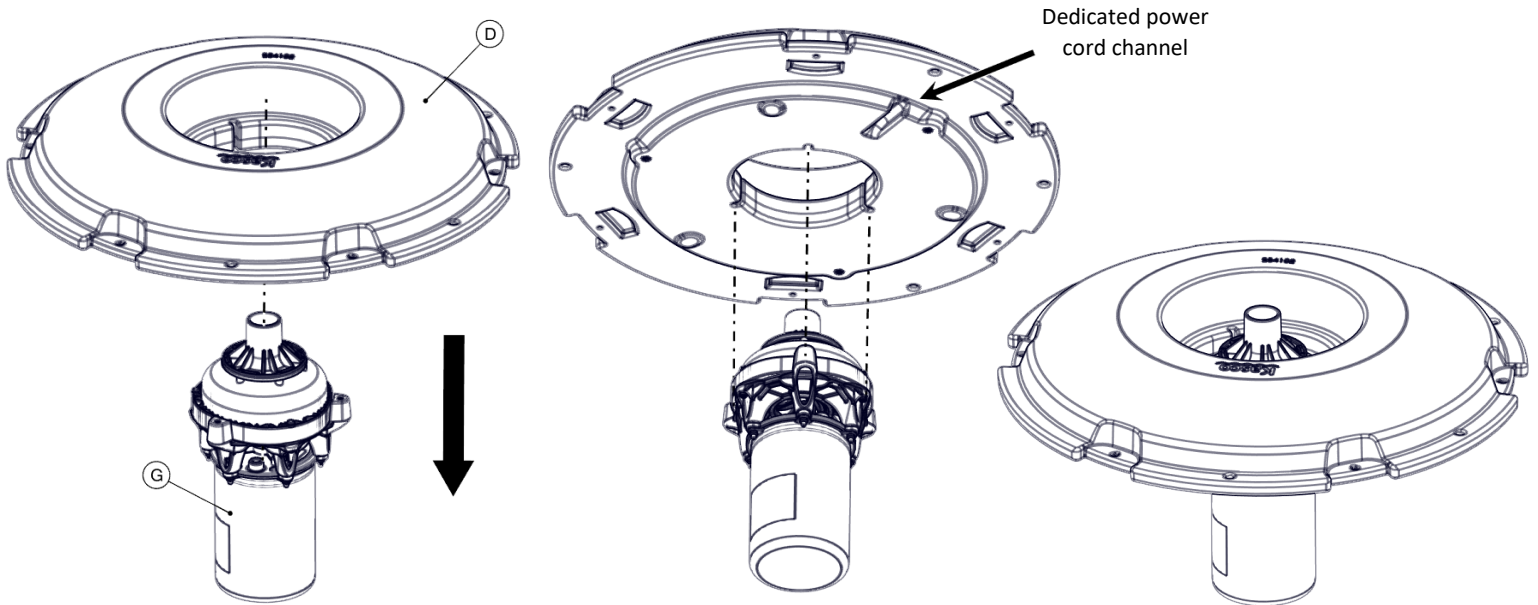


Mahogany

Assembly Instructions

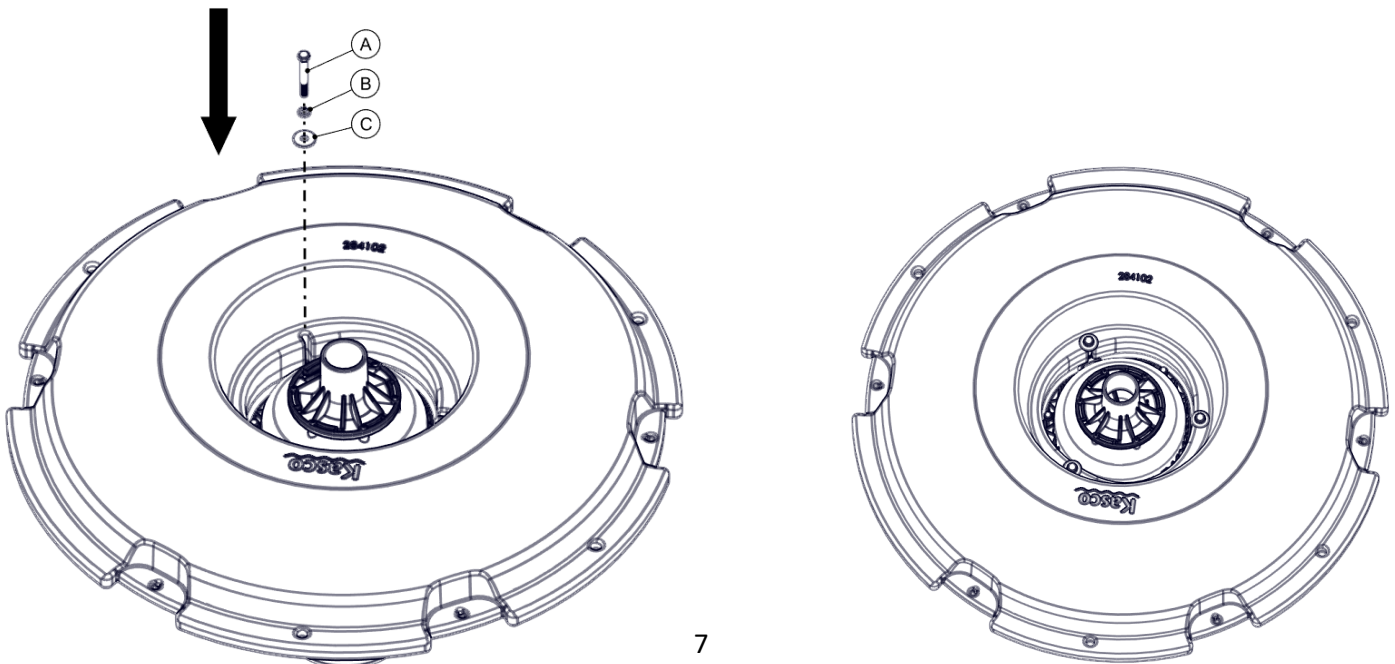
Step 1

Place the float (D) over the unit assembly (G). Ensure the three channels on the inside of the float line up with the threaded holes in the baseplate, and the Kasco logo on the top side of the float lines up with the power cord on the unit assembly. This will allow the power cord to run in the power cord channel on the underside of the float later.



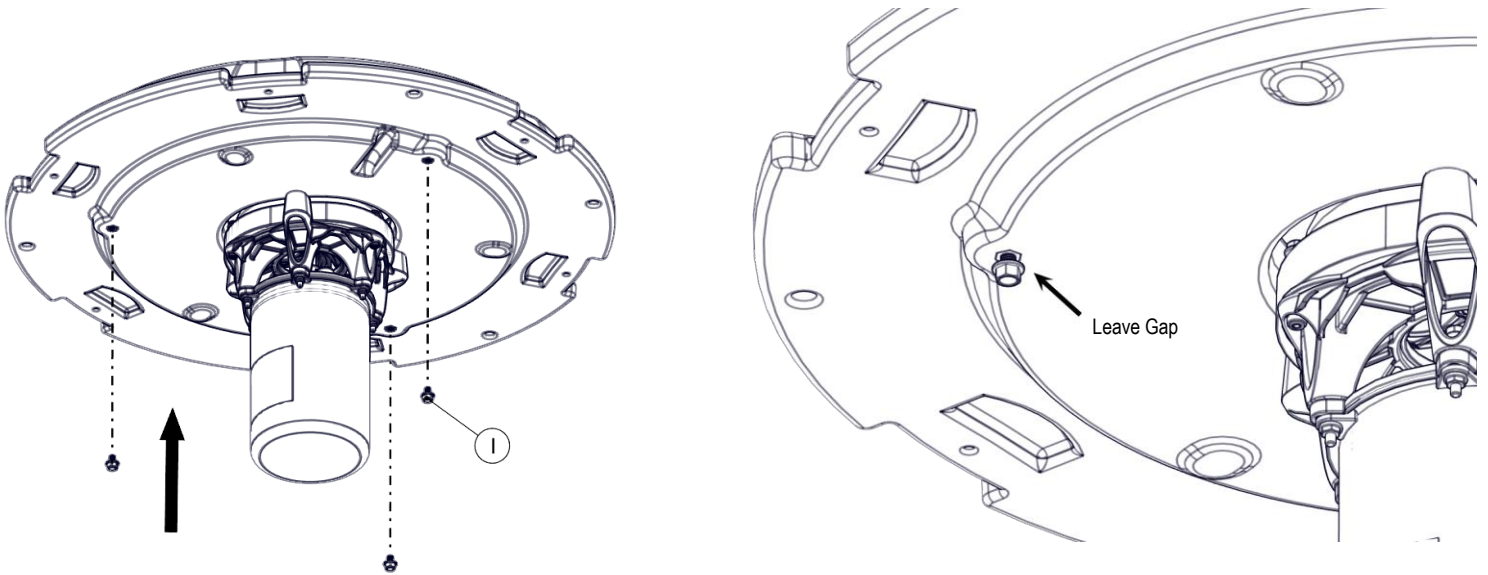
Step 2

Using the 9/16" side of the wrench tool (J) or a socket wrench, secure the float to the unit assembly using the 3/8 - 16 x 3" hex head screw (A), 3/8" lock washer (B), and 3/8 x 1.25" fender washer (C), threading into the holes in the baseplate. Repeat for all three holes.



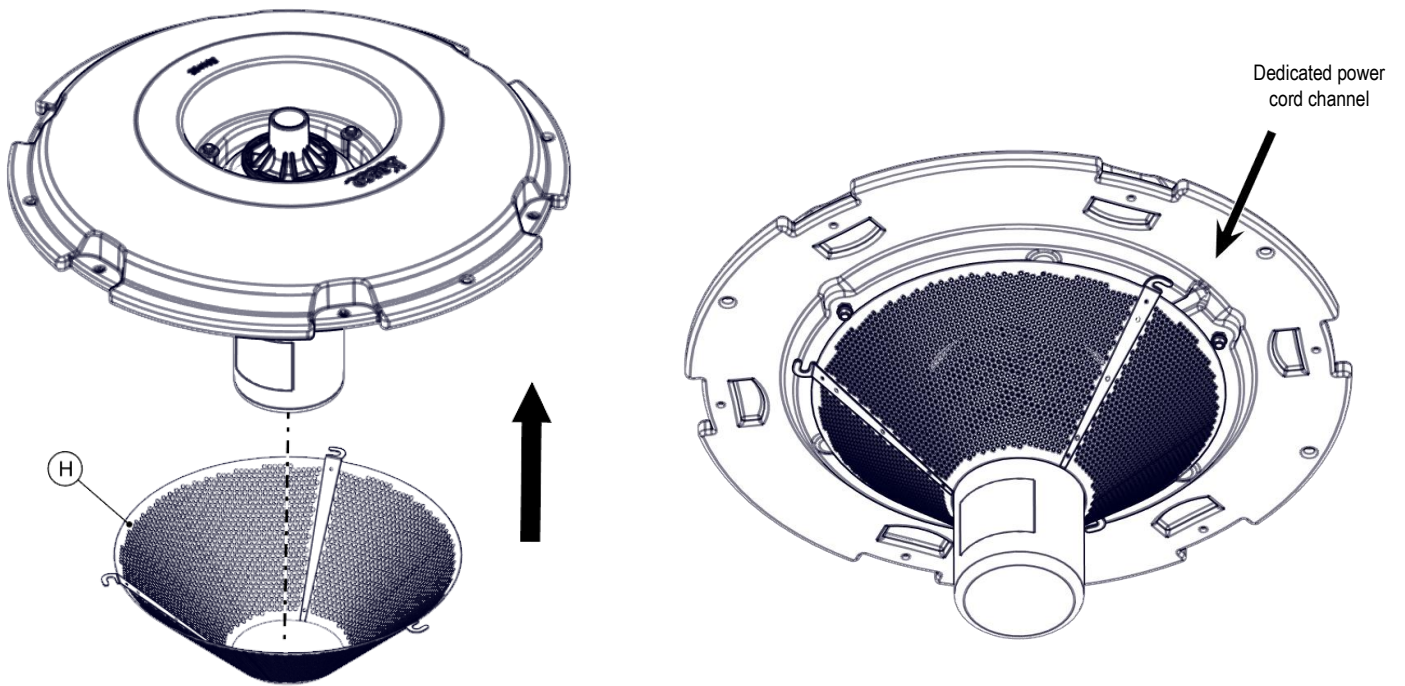
Step 3

On the underside of the float, start threading the (3) 3/8 – 16 x 1/2" serrated hex head screws (I), but do not tighten down at this time.



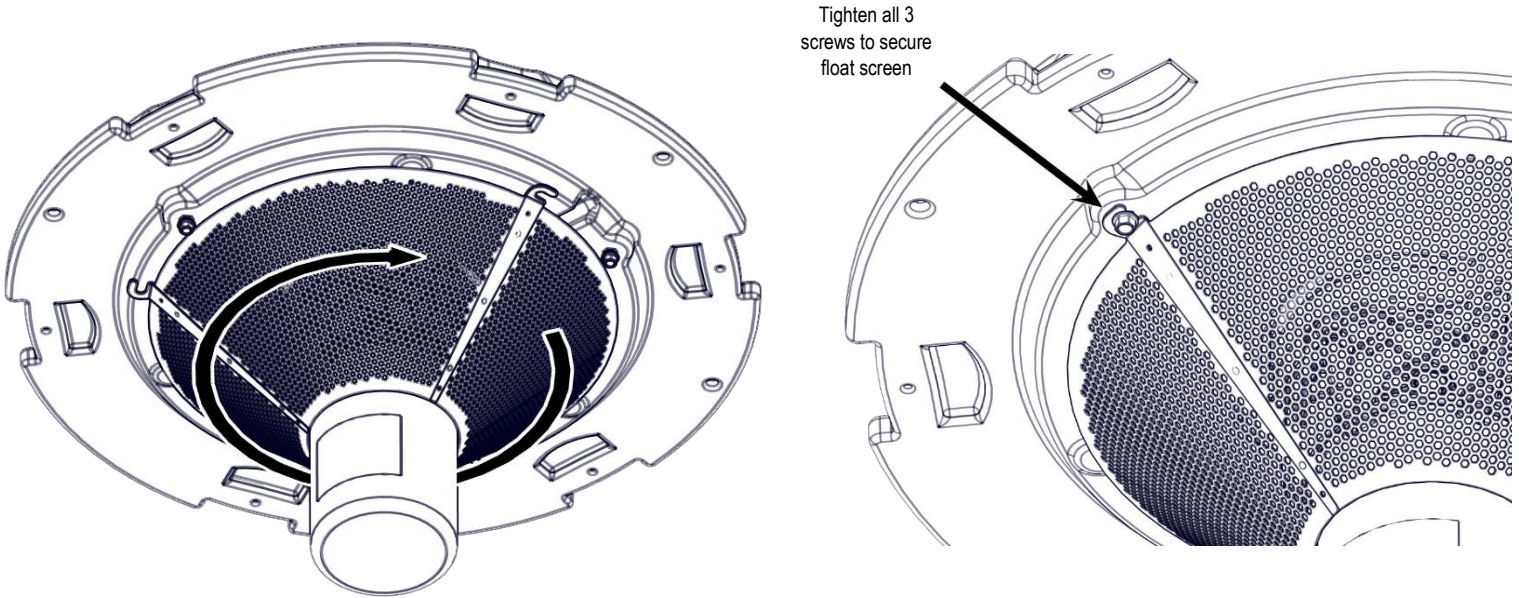
Step 4

Lift the unit and slide the bottom float screen (H) over the can and up to the bottom of the float, allowing the unit power cord to exit between them in the dedicated channel.



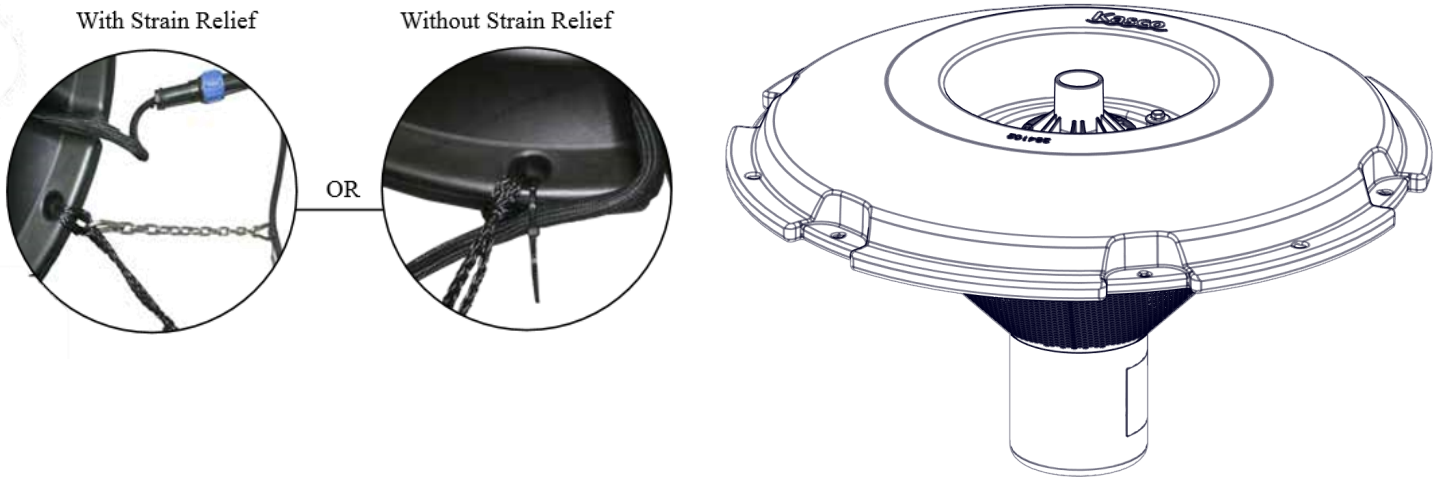
Step 5

Twist the screen clockwise (as viewed from the bottom) so that the flanges in the screen grab the serrated hex head screws. Tighten all three serrated hex head screws to secure the screen to the bottom of the float, being sure not to pinch the power cord. 9/16" side of wrench tool required.



Step 6

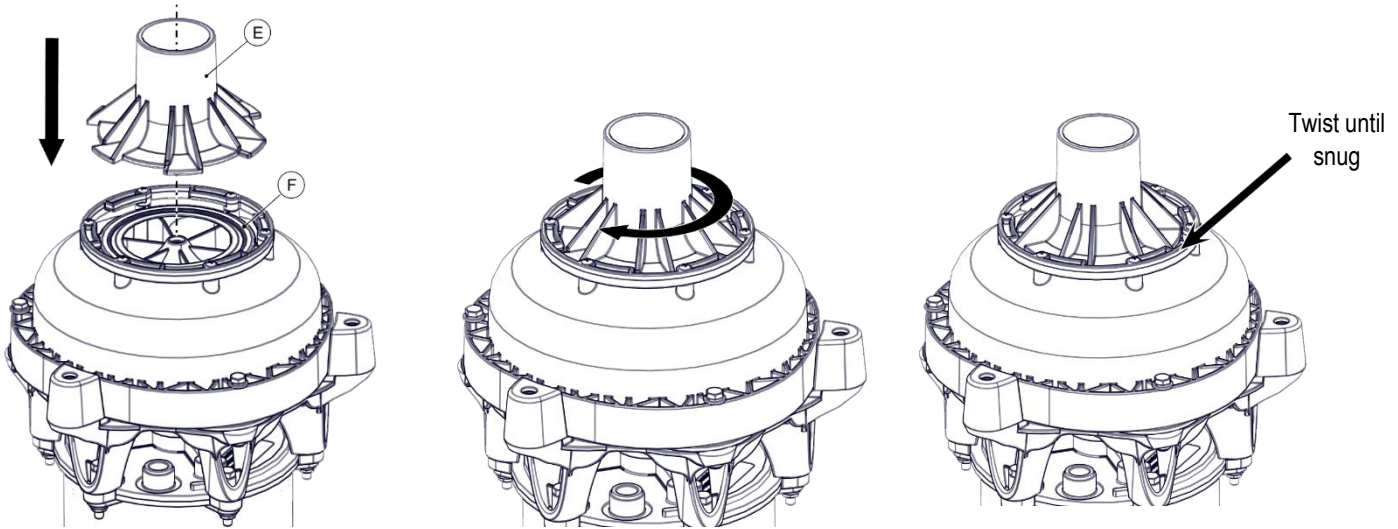
Using included cable ties (L), attach the unit power cord to one of the rope holes for strain relief as shown below. Unit is ready for installation into the pond. Any lights or other optional equipment installation (including nozzle selection) should be made at this time. Refer to instructions included with equipment. Proceed to Nozzle Installation on the next page.



Nozzle Installation Instructions

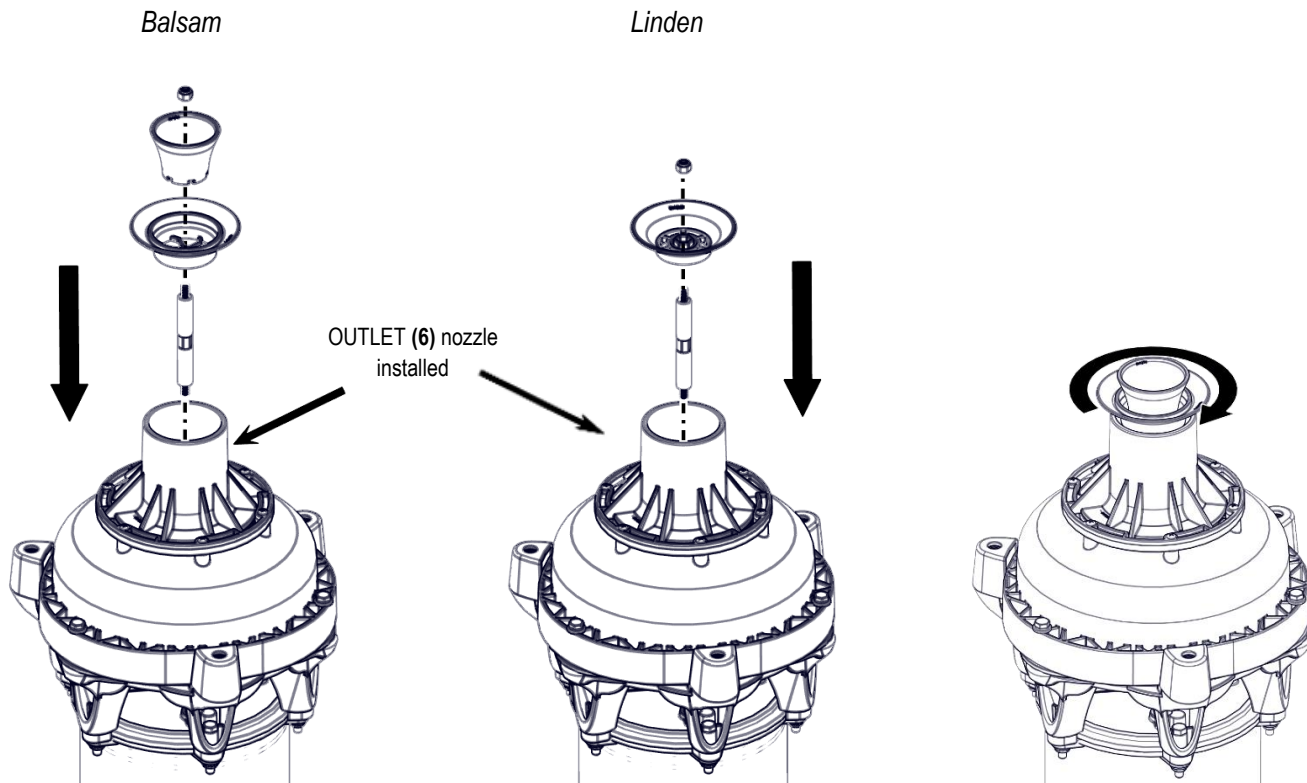
After removing the current nozzle and ensuring that the nozzle O-ring (F) is properly seated in its groove, twist the selected nozzle (E) clockwise (as viewed from the top) so that the flanges in the nozzle lock into place on the top of the pump chamber by hand. Twist until the nozzle flanges can move no further and are completely snug. Nozzles can be changed conveniently without removing the float or using any tools.

Note: If it is difficult to twist the nozzle into place, dielectric grease (M) can be applied to the nozzle O-ring.



For Linden/Balsam Nozzles:

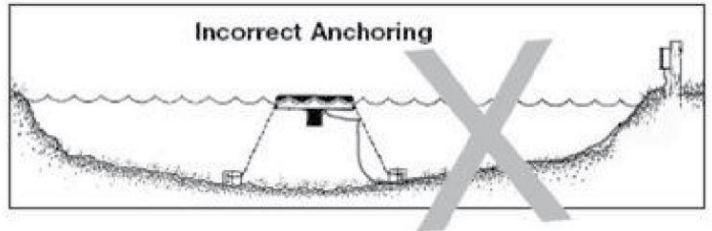
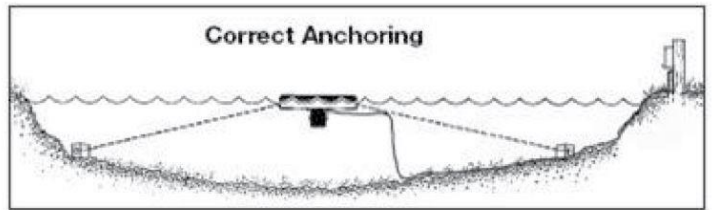
First ensure that the large **Outlet** nozzle is properly installed according to the above instructions. Insert the Balsam or Linden components and thread into the insert at the top of the pump chamber, tightening everything by hand until snug. Do not overtighten.



Unit Installation Instructions

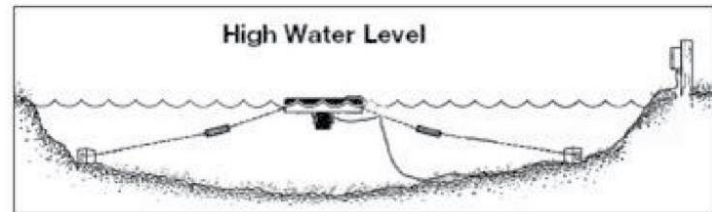
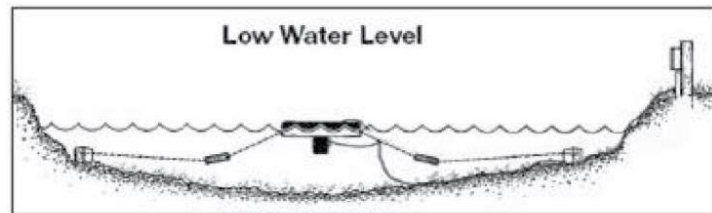
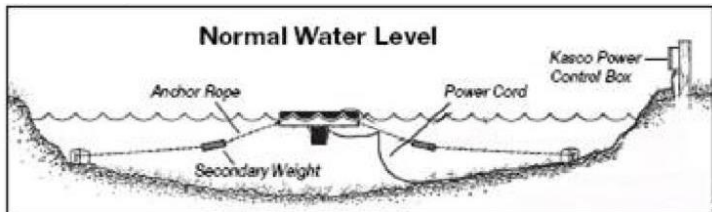
Note: Before installing 3-phase units (2.3JF, 3.3JF, 5.3JF, 7.3JF, 2.3HJF, 3.3HJF, 5.3HJF, 7.3HJF) into the pond, please refer to 3-phase startup procedure on **page 12**.

Use ropes to position the fountain in the desired location in the pond or lake. Anchor the ropes or secure them to the shoreline so that they are free of slack, but not tight. To prevent twisting of the unit due to motor torque, place the anchor at least 3 feet from the float for each foot of depth (Ex. a 6ft deep pond would require an anchor 18ft horizontally from the float).



Alternate Installation:

In ponds where the water level fluctuates significantly, a small weight may need to be suspended at the midpoint of the rope to take up any slack caused by a drop in water level (1 foot of 1" galvanized pipe works well). The weight should be light enough so that the fountain can rise as the water level rises. This weight can also help hide the anchoring ropes by sinking them further below the surface.



After unit is installed in the water, connect the power cord to a properly installed Kasco control panel (C-85, C-95, etc.) with built-in ground fault protection according to the instructions and electrical schematics included with the panel. **Follow all local and national electrical codes for unit and control panel installation; consult a qualified electrician or service person if needed.** The fountain is ready to be turned on and enjoyed.

3-Phase Startup Procedure

For 3-Phase Units: 3-Phase Startup Procedure

If a Kasco Control Panel is not provided, please refer to the following warnings:

When inherent overheating protection is not provided: use with approved motor control that matches motor input in full load amperes with overload element(s) selected or adjusted in accordance with control instructions. *Utiliser un démarreur approuvé convenant au courant à pleine charge du moteur et dont les éléments thermiques sont réglés ou choisis conformément aux instructions qui l'accompagnent.*

When inherent overheating protection is provided: use with approved motor control that matches motor input in full load amperes. See table below. *Utiliser un démarreur approuvé convenant au courant à pleine charge du moteur.*

Note: The motor input in full load amperes is the marked value or the service factor amperes, shown on the nameplate.

3-phase 208 – 230V	2.3JF	3.3JF	5.3JF	7.3JF
Full load amps	7.5	10.3	16	20

3-phase 460V	2.3HJF	3.3HJF	5.3HJF	7.3HJF
Full load amps	3.8	5.2	8	10

Control panels must be installed by a qualified electrician.

If unit is connected to a circuit protected by a fuse, use a time-delay fuse with this pump.

You must verify motor rotation before installing the unit in the water. 3-phase Kasco units will run in a clockwise rotation when looking down at the propeller. Keep clear of the propeller while verifying rotation. Air will be blowing out (up) of the pump chamber when rotating in the correct direction. If a Kasco 3-phase panel is supplied, follow the instructions included with the panel in addition to the steps below.

Electrician:

1. Verify all screw terminal connections are tightened to specified torque setting prior to energizing the panel.
2. Verify the electrical service (voltage and phase) matches the control panel and aerator nameplate ratings. Refer to the control panel instructions and schematics for installation details.
3. Verify all switches, circuit breakers, and motor starters are in the OFF position
4. Connect electrical service to the control panel as shown in the electrical schematic that came with the panel.
5. Connect the aerator power cord to the panel as shown in the electrical schematic.
6. Set the motor starter overload to the FLA rating on the aerator nameplate.
7. Pump rotation: The pump rotation is clockwise when looking down at the propeller. Apply power to the control panel. Turn on the 15amp control circuit breaker, and motor starter.
8. Momentarily turn the Hand-Off-Auto switch to Hand. This will run the aerator. Do not run the aerator for more than a few seconds on shore. If the rotation is not correct, disconnect and lock out power from the control panel. Swap any two of the aerator power cord wires in the panel. This will cause the motor to reverse direction. Reapply power to the panel and verify the rotation is clockwise.
9. Once rotation is verified, with the power disconnected and locked out again, continue with installation of the aerator on **page 9**.

Record the following data while the unit is operating in the water under load: Voltage: L1-L2 _____ L1-L3 _____
L2-L3 _____ Amperage: L1 _____ L2 _____ L3 _____

Current unbalance should not exceed 5% at full load

Maintenance Recommendations

Under NO CIRCUMSTANCE should anyone enter the water while a fountain is operating.

The following maintenance procedures can be utilized to ensure many years of quality performance from your Kasco equipment and reduce the need for more costly repair work.

PROPER INSTALLATION: Proper installation of Kasco equipment will include a power source with ground fault protection. The control panel included with the equipment has built-in ground fault protection for both the fountain and the lighting kit. Ground fault interrupters are a safety feature that can also alert you to electrical leaks in the equipment. It is extremely important to test the GFI upon installation and every month thereafter to ensure proper operation. If you have repeat, consistent trips of the ground fault device, the equipment should be disconnected and removed from the water. The power cord should be inspected for damage and you should contact your distributor or contact Kasco Marine at 715-262-4488 or sales@kascomarine.com for further instructions. A complete list of control panels can be found in the Accessories section of kascomarine.com.

OBSERVATION: Operating equipment should be observed on a regular basis (daily, if possible) for any reduction or variation in performance. If a change in performance is observed, the equipment should be disconnected from power and inspected.

WINTER STORAGE: In regions where there is significant freezing in the wintertime, the equipment should be removed from the water to protect it from the expansion pressure of ice. The unit may keep some amount of ice open, but when water is thrust into the air it can make the existing ice thicker. Storage over winter is best in a location that is out of the sun and cool, but above 32° F. Store unit upside down if it will sit for a long period of time to ensure continued oil lubrication of seals; units that sit upright for many months or years have a greater likelihood of seals drying out.

CLEANING: Equipment should be removed from the water at least once per year (at the end of the season in cold climates) to clean the exterior of the system, especially the stainless-steel motor housing (can) that dissipates heat into the water. Any algae, calcium, or other build-up will become an insulator that blocks heat transfer and may lead to overheating and damage. In warmer regions, the unit should be removed and cleaned at least 2 – 3 times per year. In most cases, a power washer is sufficient if the unit and algae are still wet.

SEAL AND OIL REPLACEMENT: This is a sealed motor assembly and seals will wear out over time (similar to brake pads on a car). Replacement of the seals and a change of oil after three years may add longevity to the operation of the motor, saving you the cost of more expensive repairs. In warmer climates where the aerator runs for a majority the year or greater, it is wise to replace seals more often.

ZINC ANODE: A sacrificial zinc anode is supplied on the shaft of all motor units for protection from corrosion and electrolysis. The zinc anode should be updated replaced if reduced to half the original size or if white in color. Corrosion from electrolysis is more commonly associated with saltwater or brackish water, but as a matter of precaution, it is important to periodically check the zinc anode in all installations (at least every two to three months).

Seal replacement and all other repair services should be performed by Kasco Marine or a Kasco-trained Authorized Repair Center. Any alterations or changes made to Kasco units by an unauthorized source will void the warranty. This includes tampering with the unit, power cord, and/or control panel. Contact Kasco Marine at 715-262-4488 or sales@kascomarine.com for additional information and your closest Authorized Repair Center.

Warranty

Warranty Policy

Warranty period:

8400JF, 2.3JF, 2.3HJF = 3-year Limited Warranty

3.1JF, 3.3JF, 3.3HJF, 5.1JF, 5.3JF, 5.3HJF, 7.3JF, 7.3HJF = 5-year Limited Warranty

Kasco® Marine, Inc. warrants this aerator to be free from defects in material or workmanship under normal use and service (excluding ropes, power cord, and propeller). The Kasco Marine, Inc. obligation under this warranty is limited to replacing or repairing free of charge any defective part within the warranty period from the date of shipment. Customer shall pay shipping charges for returning the unit to Kasco or an Authorized Repair Center.

THIS WARRANTY IS IN LIEU OF ANY OTHER WARRANTIES, EXPRESSED OR IMPLIED, AND ANY OTHER OBLIGATION OR LIABILITY WHATEVER ON THE PART OF KASCO MARINE, INC. AND IN NO EVENT SHALL KASCO MARINE, INC. BE LIABLE FOR ANY SPECIAL OR CONSEQUENTIAL DAMAGES.

Warranty is void if:

- The equipment is not maintained properly according to the Maintenance Recommendations supplied in this Owner's Manual.
- The equipment is returned for repair without the power cord
- The unit, control panel, or power cord are altered in any way from original shipment. *Cuts in the power cord are not covered under warranty.*
- The equipment is damaged by unauthorized tampering.
- The sacrificial zinc anode around the motor shaft shows significant deterioration (not maintained according to Recommendations supplied in this Owner's Manual)

Warranty Claim Procedure: The best method for establishing warranty period is by keeping your original receipt and registering the equipment online at kascomarine.com under the Warranty Information section.

Once warranty coverage has been established, the unit may be sent to Kasco Marine or any Kasco Authorized Repair Center for evaluation and repair. See *Repair* section on the next page for more information regarding warranty repair procedure.

Repair

Note: Only complete motor assemblies will be accepted for warranty repair. The power cord and all other components must be returned with the motor as originally assembled. Any missing parts will be replaced at the customer's expense and, if determined to have caused the failure, could void the entire warranty. Some parts are essential for structural support during shipping and others, such as the power cord, are essential to properly diagnose potential causes of failure. It is not necessary to return the control panel or float with the unit assembly.

Any required repairs must be performed by Kasco Marine. Any alterations or changes made to Kasco units by an unauthorized source will void the warranty. This includes tampering with the unit, power cord, and/or control panel.

A physical **Kasco Repair Form** must be included with any equipment sent to Kasco or an Authorized Repair Center. This form can be found under the Product Support section of kascomarine.com. If no Repair Form is available, include your name and physical address for return delivery of the repaired unit and a daytime phone number and/or e-mail address for correspondence regarding the warranty claim.

Once warranty coverage has been established, the equipment may be sent to any Kasco Authorized Repair Center or to Kasco at:

Kasco Marine, Inc.
800 Deere Rd.
Prescott, WI 54021
Attn: Repairs

Non-Warranty Repairs: Most failed equipment can be repaired at substantially lower costs than replacement with new. If your aerator requires repair and is no longer covered under warranty, please contact Kasco Marine or your local distributor for available options. Please ship according to the instructions above.

- Kasco Marine does estimates on repairs at the request of the customer. The request for estimate should be included in the letter that accompanies the returned unit and must include a daytime phone number and/or e-mail address. We will contact the customer with a total after the unit has been evaluated, but before the work is performed.
- All estimates that are rejected for repair will be destroyed unless otherwise directed by the customer. Rejected equipment can be returned at the customer's expense for shipping and handling charges.

Billing: All non-warranty repairs will be returned and billed to the customer unless otherwise directed. Kasco Marine accepts Visa and MasterCard credit card payments. Kasco Marine will call for credit card information upon completion of the estimate at the customer's request.

Please see the Product Support section of kascomarine.com for more information about warranty and repairs. Contact Kasco Marine at 715-262-4488 or sales@kascomarine.com for additional information and your closest Authorized Repair Center.

Troubleshooting Tips

The following is provided to help diagnose a probable source of trouble. It is a guideline only and may not show all causes for all problems. For additional troubleshooting help, contact your local distributor or visit kascomarine.com for additional guidance. **Note:** you may need to refer to your owners manual that was provided with your control panel for additional control panel settings and adjustments.

“ My pattern is crooked or does not look even.”

Wind can make a fountain pattern crooked. Also, make sure there is no clog or debris that is throwing off the pattern. If there is no wind or clog, then check to see if the nozzle is screwed down all the way and is sitting centered with the cone assembly.

“My unit trips the ground fault interrupter in the C-25, C-85, or C-95.”

This is the most common symptom of several possible problems. To correctly diagnose the problem, you will need to collect more information. A Ground Fault Interrupter (GFI) breaker that trips can indicate an electrical service problem, water contamination in the unit and/or cord, bad breaker, control box problems, motor problems, etc. Try to find out the answers to these questions before you contact Kasco to narrow down the problem:

- How long does it take to trip the breaker?
- Does it always take the same amount of time to trip?
- How many times has it tripped?
- Has there been any electrical problems in the area recently?

“My unit seems to run slowly.”

This can also be a symptom of several possible problems. There could be an electrical problem where the unit is not getting the proper voltage. This could also indicate a problem with the motor of the unit, which needs to be looked at by an Authorized Repair Center. Check that the unit is receiving the proper voltage, and, if so, contact Kasco for further steps.

“My Aerator hums, but will not start. When I spin the prop with a stick, it starts up.”

(single phase units only) This indicated a problem with the Starting Capacitor. Each Kasco aerator is equipped with a Starting Capacitor to get the unit going when it is first plugged in. If it is operating, but not spinning and can be started by spinning the prop with a stick, the Starting capacitor needs to be replaced by an Authorized Repair Center.

“My unit turns itself off and back on without the timer and without tripping the GFI breaker.”

(single phase units only) Each Kasco aerator has a Thermal Overload built in that will turn the unit off when it overheats. Once the unit has cooled down, it will start back up. If you are noticing these symptoms, the unit should be unplugged immediately because the Thermal Overload will continue to turn on and off until it burns out and damages the motor. The unit should be unplugged and taken out of the water to find the cause of the problem. The problem could be one of many, such as, low water levels, build-up on the unit to prevent heat dissipation, something inhibiting the free rotation of the shaft, etc. If something is caught in the unit or there is a build-up of algae, calcium or organic matter on the unit, remove the debris and, if caught early enough, the unit should be fine. Contact a Kasco representative before restarting the unit.

“My unit flow seems to fluctuate and/or be less than usual.”

This can occur because of a few different reasons. Most of the time, this symptom is caused from unit being clogged with debris. A mat of weeds, many leaves, plastic bags, etc. can clog up the unit and cause it to be starved of water. If the unit does not have the proper amount of water, the flow or pattern will fluctuate up and down and look sporadic. If you are seeing these symptoms, unplug the unit and clean away the debris that is clogging up the screen. Another possibility if these symptoms are noticed, is a chipped or damaged

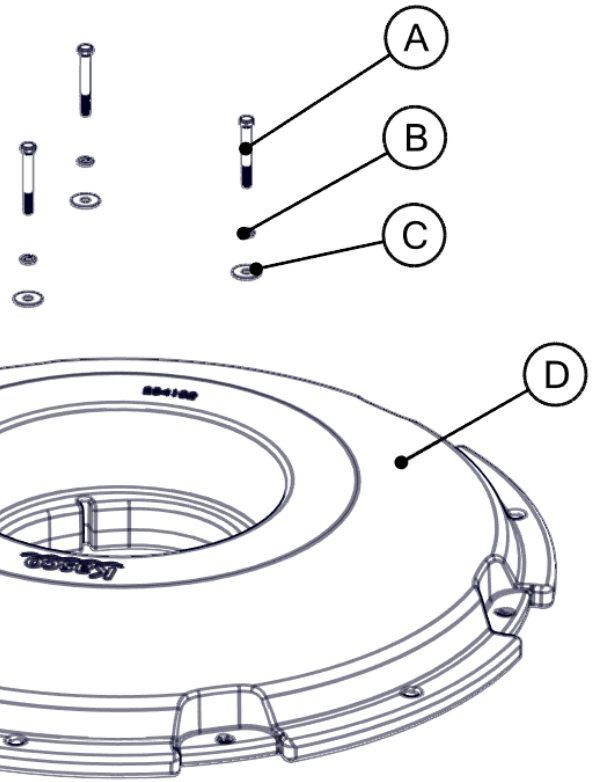
prop that is causing the unit to wobble and not pump properly. When the unit is unplugged, check the prop for damages and replace if damage is found.

“The GFI breaker trips randomly and sporadically. Sometimes it is a few hours of operation, other times it can be days or weeks.”

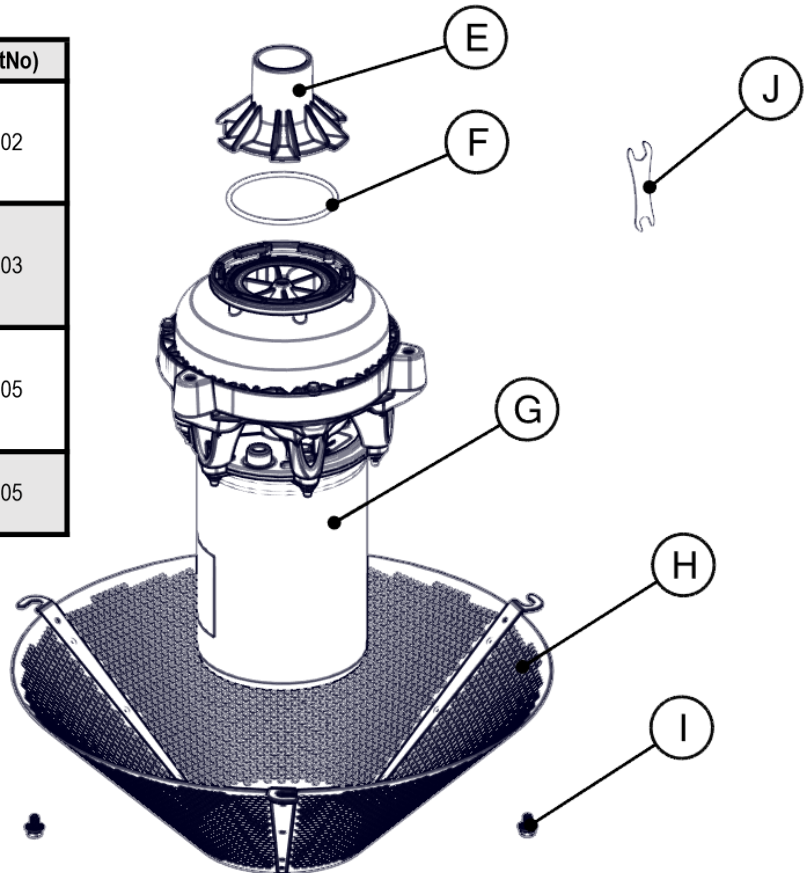
This is referred to as a Nuisance Trip. This usually occurs where the unit is installed a great distance from the initial electric service on the property where the ground stake is placed. It is caused by either induced current in the ground wire or a base voltage difference due to soil pH levels. To resolve the problem, contact an electrician and install a local grounding stake. This may eliminate the induced current and any base voltage differences. This problem can also be caused by a bad breaker or receptacle or having unbalanced incoming voltage lines.

Unit Replacement Parts

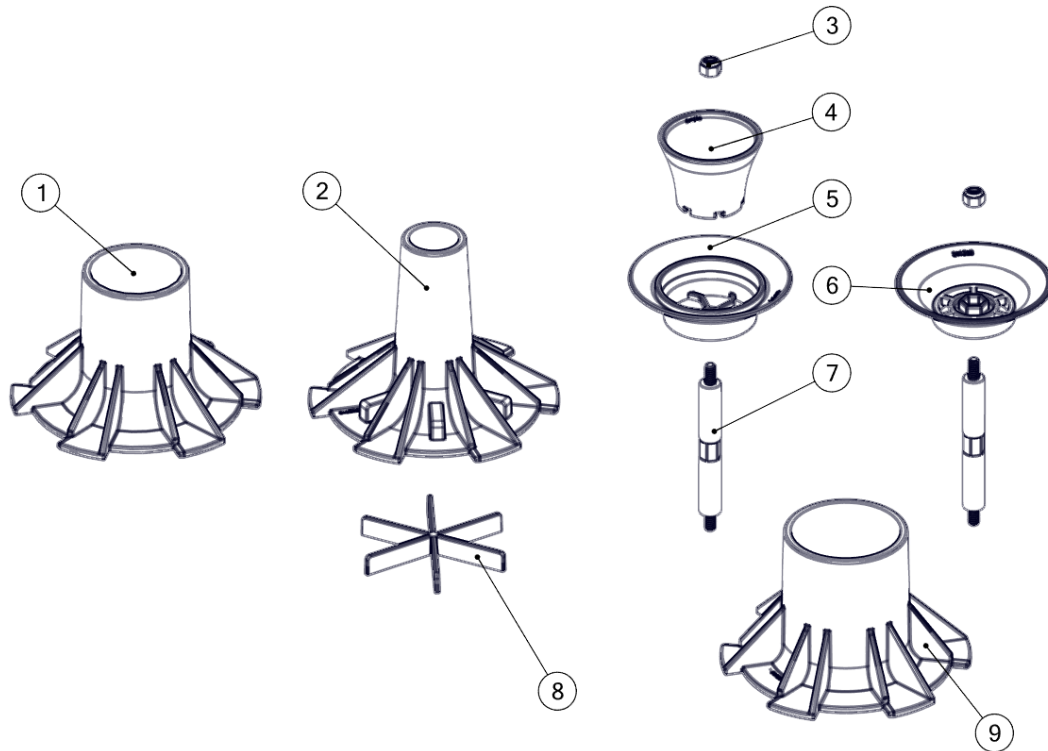
ID	Description	Qty	PartNo
A	3/8-16 x 3" Hex Head Screw	3	820093
B	3/8" Lock Washer	3	566230
C	3/8 x 1.25" OD Fender Washer	3	840325
D	Float, Single Piece	1	See Table Below
E	Interchangeable Nozzles	5	See "Nozzles" Section
F	Nozzle O-ring, Large J	2	841217
G	Large JF Unit Assembly	1	See Table Below
H	Bottom Screen, Large J	1	284101
I	3/8-16 x 1/2" Serrated Hex Head Screw	3	820092
J	7/16" & 9/16" Wrench Tool	1	284139
K	Rope, 50ft (not pictured)	3	990700
L	Cable Tie (not pictured)	4	415038
M	Dielectric Grease (not pictured)	1	341300



Unit Size	Voltage/Phase	G (PartNo)	D (PartNo)
2hp	208-240/1φ	8400J	284102
	208/3φ	2.3J	
	460/3φ	2.3HJ	
3hp	208-240/1φ	3.1J	284103
	208/3φ	3.3J	
	460/3φ	3.3HJ	
5hp	208-240/1φ	5.1J	284105
	208/3φ	5.3J	
	460/3φ	5.3HJ	
7hp	208/3φ	7.3J	284105
	460/3φ	7.3HJ	



Nozzle Replacement Parts



Kit 284302 (2HP & 3HP Large J, includes bottom screen 284101)

ID	Description	Qty	PartNo
1	Birch Nozzle, 2HP 3HP 5HP 7.5HP, Large J	1	841222
2	Spruce Nozzle, 2HP 3HP, Large J	1	841242
3	1/4-20" Hex Locknut	2	451100
4	Balsam Nozzle A, 2HP 3HP, Large J	1	841270
5	Balsam Nozzle B, 2HP 3HP, Large J	1	841272
6	Linden Nozzle, 2HP 3HP, Large J	1	841260
7	Nozzle Shaft, 2HP 3HP 5HP 7.5HP, Large J	2	841255
8	Redwood Flow-Straightener Insert, Large J	1	841250
9	Outlet Nozzle 2.6, 2HP 3HP Large J	1	841226

Kit 284305 (5HP & 7.5HP Large J, includes bottom screen options)

ID	Description	Qty	PartNo
1	Birch Nozzle, 2HP 3HP 5HP 7.5HP, Large J	1	841222
2	Spruce Nozzle, 5HP 7.5HP, Large J	1	841246
3	1/4-20" Hex Locknut	2	451100
4	Balsam Nozzle A, 5HP 7.5HP, Large J	1	841276
5	Balsam Nozzle B, 5HP 7.5HP, Large J	1	841278
6	Linden Nozzle, 5HP 7.5HP, Large J	1	841266
7	Nozzle Shaft, 2HP 3HP 5HP 7.5HP, Large J	2	841255
8	Redwood Flow-Straightener Insert, Large J	1	841250
9	Outlet Nozzle 3.2, 5HP 7.5HP, Large J	1	841232



800 Deere Rd

Prescott, WI 54021

Phone: 715-262-4488 Fax: 715-262-4487

www.Kascomarine.com Sales@kascomarine.com

Repair Contact Form

- ❖ **Kasco requires all Repairs sent in MUST be accompanied by this form and marked to Repairs attention. (ex. Attn: Repairs)**
- ❖ **Repairs returned should include upper pump housing or wire basket for Aerators and De-Icers. These parts protect the motor during shipping.**
- ❖ **Kasco is NOT responsible for shipping damage accrued in return shipment.**
- ❖ **It is the responsibility of customer to ship and pay freight to Kasco.**
- ❖ **Do not ship float or control panel with unit, unless otherwise instructed**
- ❖ **A fee of \$60 per hour will be assessed for cleaning excessively dirty units and float disassembly**
- ❖ **Refer to the Owner's manual for easy-to-follow troubleshooting rule out site issue.**

Note: Contact Information Should be that of the person or company to contact for repair.

Company	First Name	Last Name	
Address	City	State	
Zip code	Phone #	Alternate Phone #	
Email Address	Preferred method of contact (Circle)		Purchase order #
	Phone	Email	
Submersible Pump Information (Complete if sending unit)		Light kit Information (complete if sending lights)	
Model #		Parts Included (For office use)	
Serial #		Unit	<input type="checkbox"/>
Cord Length:		Cord	<input type="checkbox"/>
Purchased from:		Light Kit	<input type="checkbox"/>
Purchase Date:		Float	<input type="checkbox"/>
		Control Panel	<input type="checkbox"/>

Additional notes for technician.
