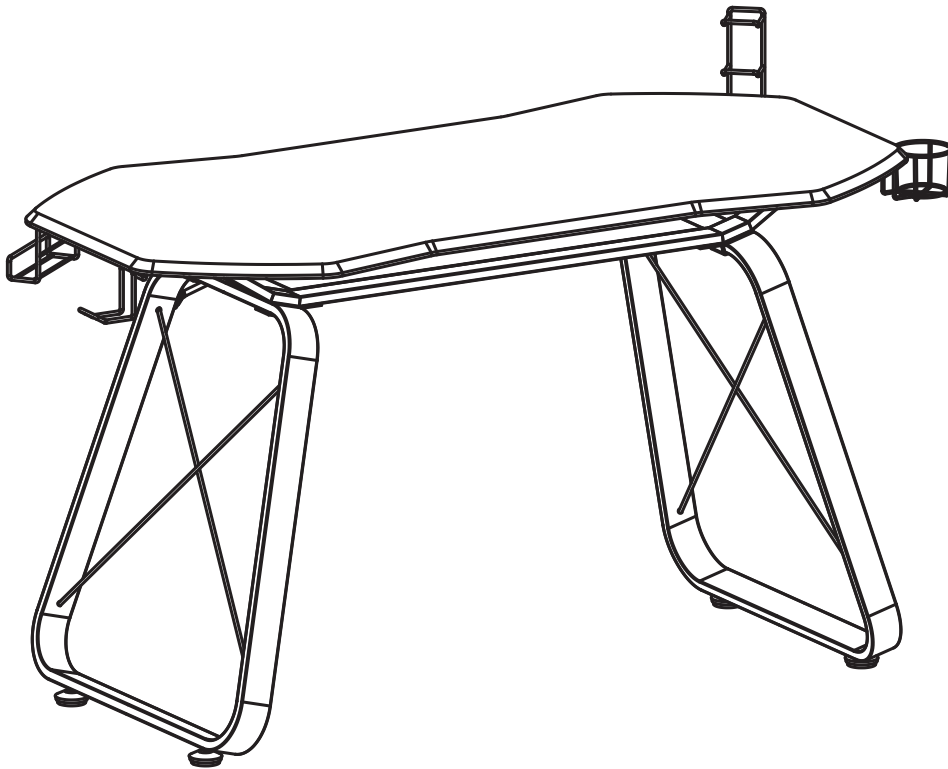


English

COMPUTER TABLE

ASSEMBLY INSTRUCTION

Thanks for purchasing one of our products, please read carefully the assembly instructions before the installation (Attention: Do not tighten the screws before all screws are in place).



**TWO PEOPLE
REQUIRED**

GT-010

General Care:

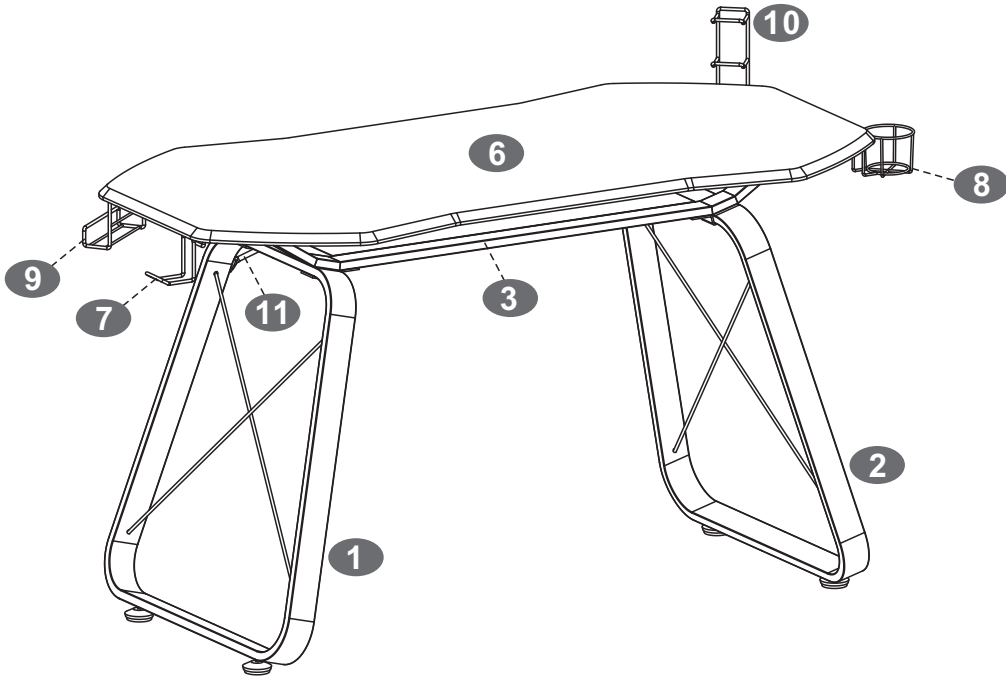
-Keep your furniture out direct sunlight-Use desk pads and coasters to protect the surface from dents,scratches,and moisture from hot or cold liquids.

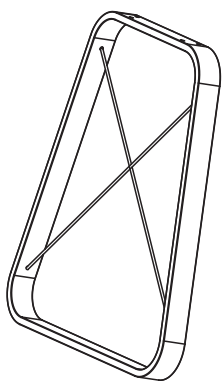
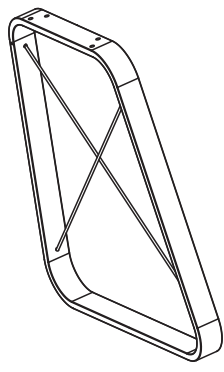
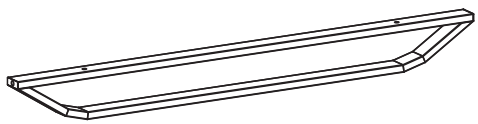
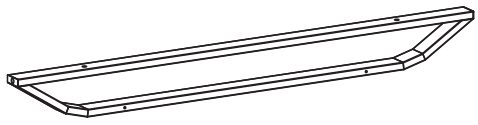

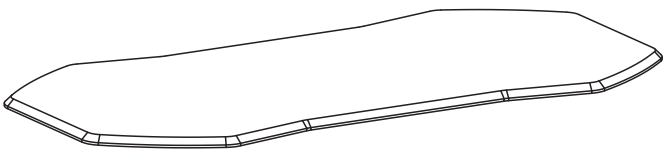


Cleaning:

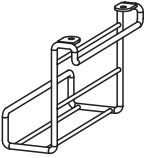
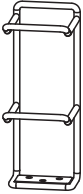
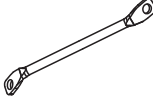



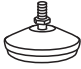
-For cleaning, wipe the surface with a damp (not wet) cloth or wipe dry with a clean lint free cotton cloth.
-Window cleaning liquid or a similar cleaning liquid can be used to clean glass surface.







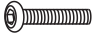


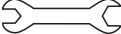
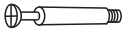
■ PARTS LIST



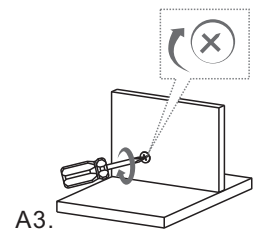
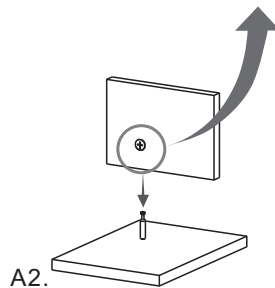
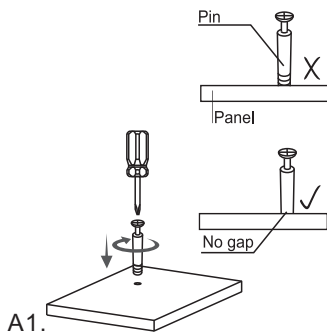
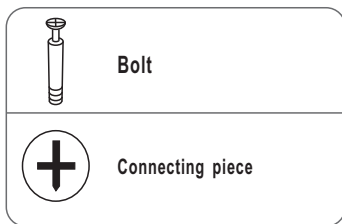
<p>1</p>  <p>X1</p>	<p>2</p>  <p>X1</p>	<p>3</p>  <p>X1</p>	<p>4</p>  <p>X1</p>	<p>5</p>  <p>X1</p>
<p>6</p>  <p>X1</p>		<p>7</p>  <p>X1</p>	<p>8</p>  <p>X1</p>	

 <p>9</p> <p>X1</p>	 <p>10</p> <p>X1</p>	 <p>11</p> <p>X1</p>	 <p>12</p> <p>X1</p>
 <p>13</p> <p>X2</p>	 <p>14</p> <p>X2</p>	 <p>15</p> <p>X4</p>	

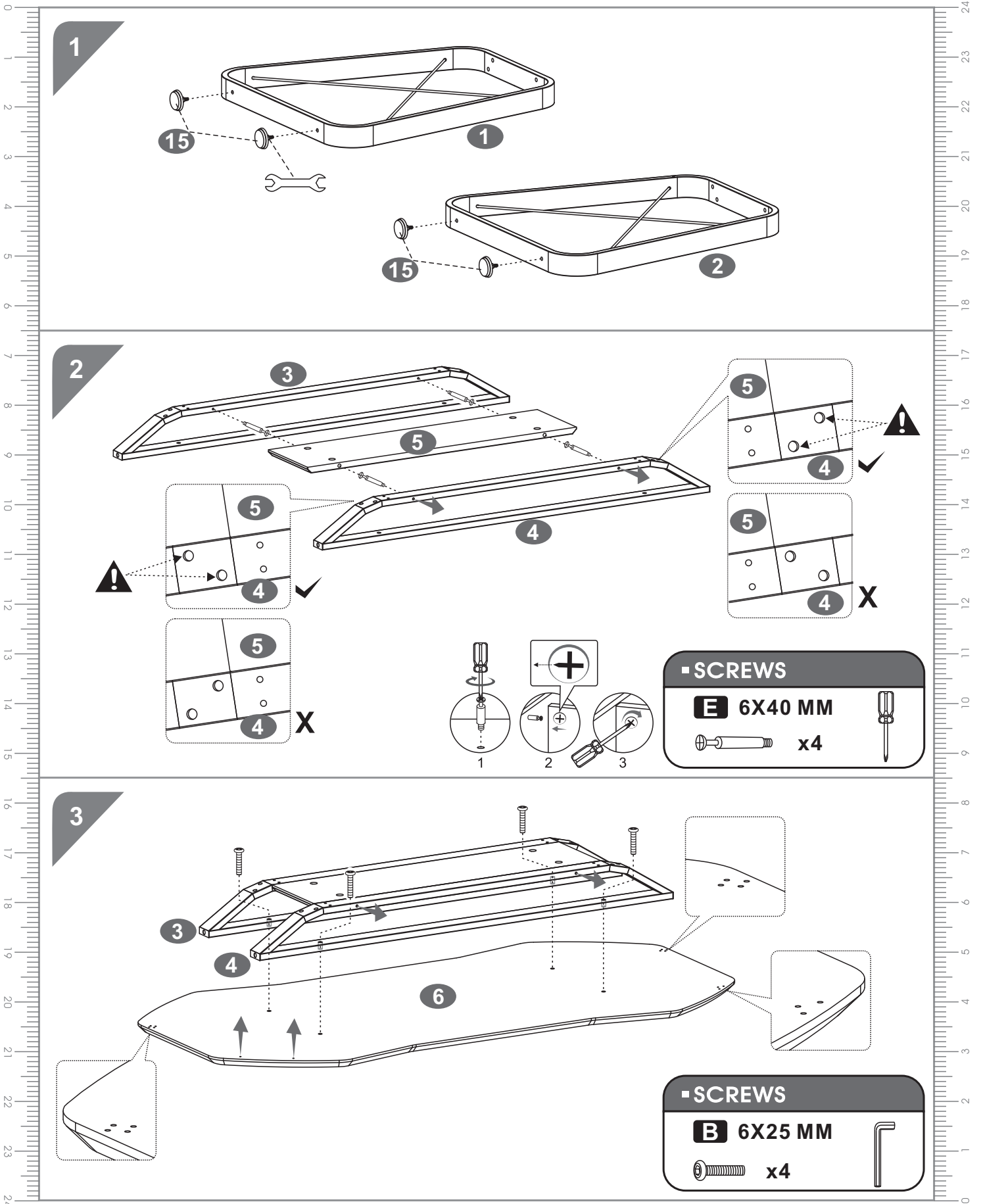
▪SCREWS LIST

PART	QTY.	ITEM		PART	QTY.	ITEM	
A	12	6X15 MM		F	20	Φ 10 MM	
B	4	6X25 MM			1	M 4	
C	8	6X30 MM			1		
D	11	4X14 MM			1		
E	4	6X40 MM					

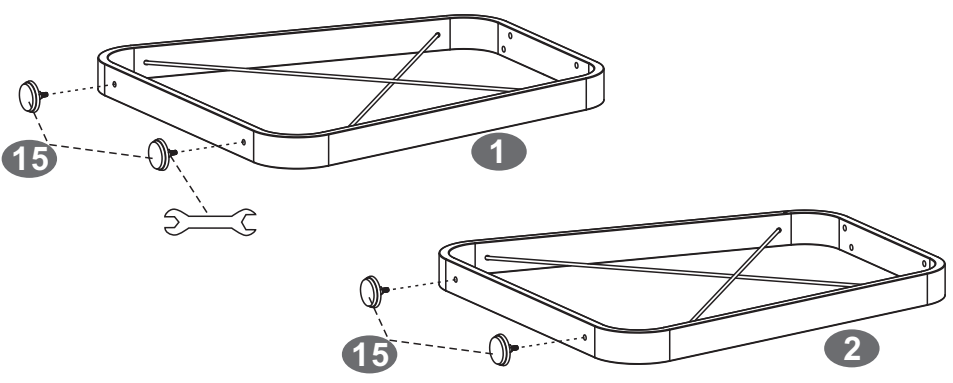
6X40MM BOLT INSTALLATION AS BELOW:



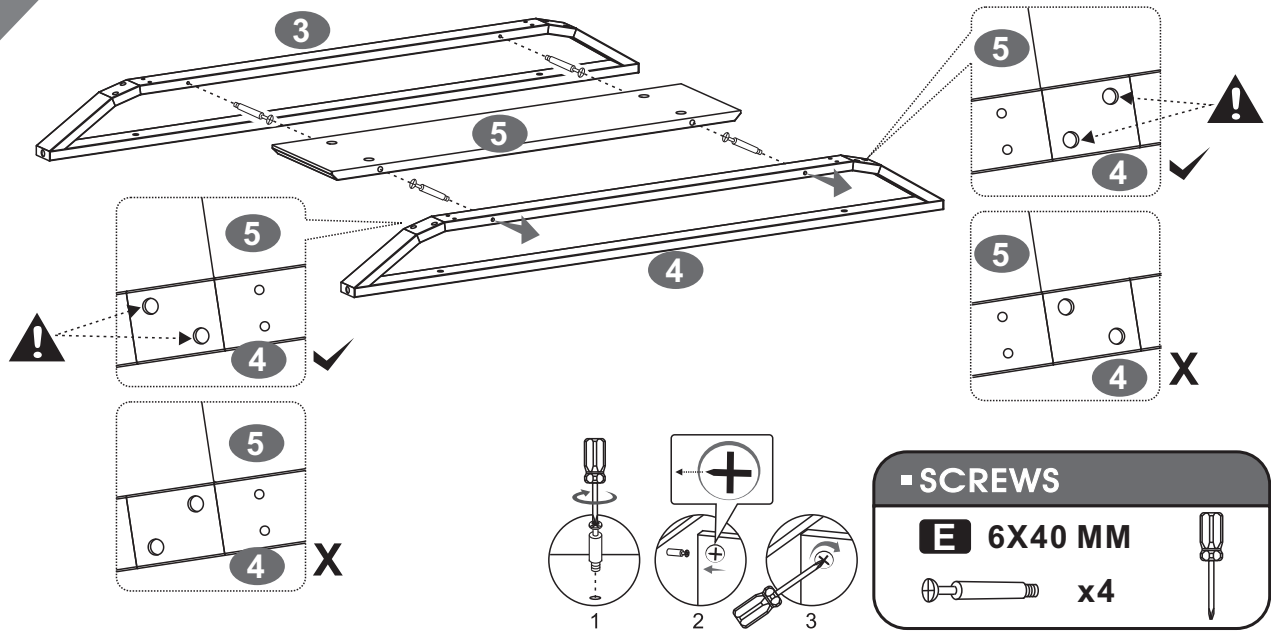
ASSEMBLY STEPS:



1

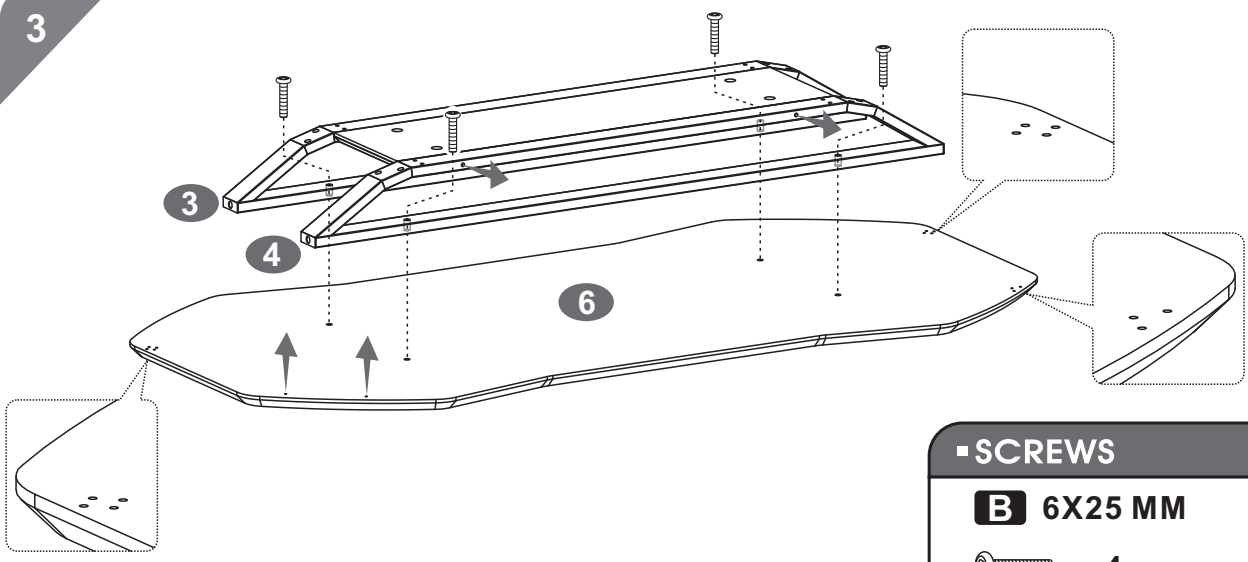


2



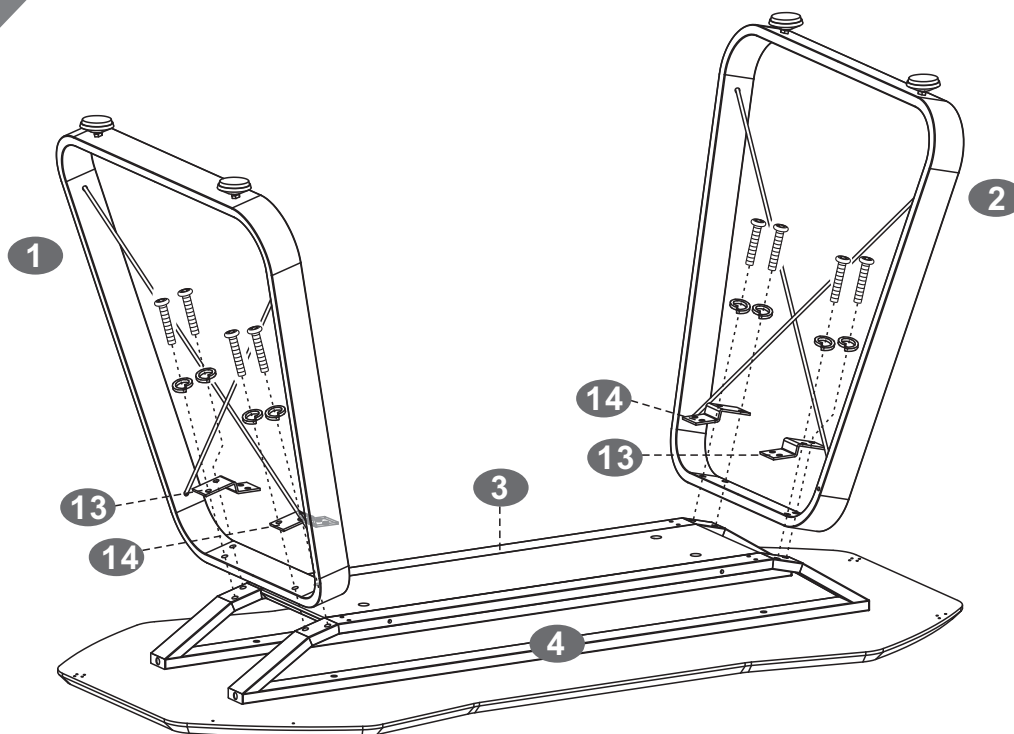
SCREWS
E 6X40 MM
 x4

3



SCREWS
B 6X25 MM
 x4

4



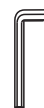
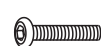
■ SCREWS

F Φ 10 MM
x8

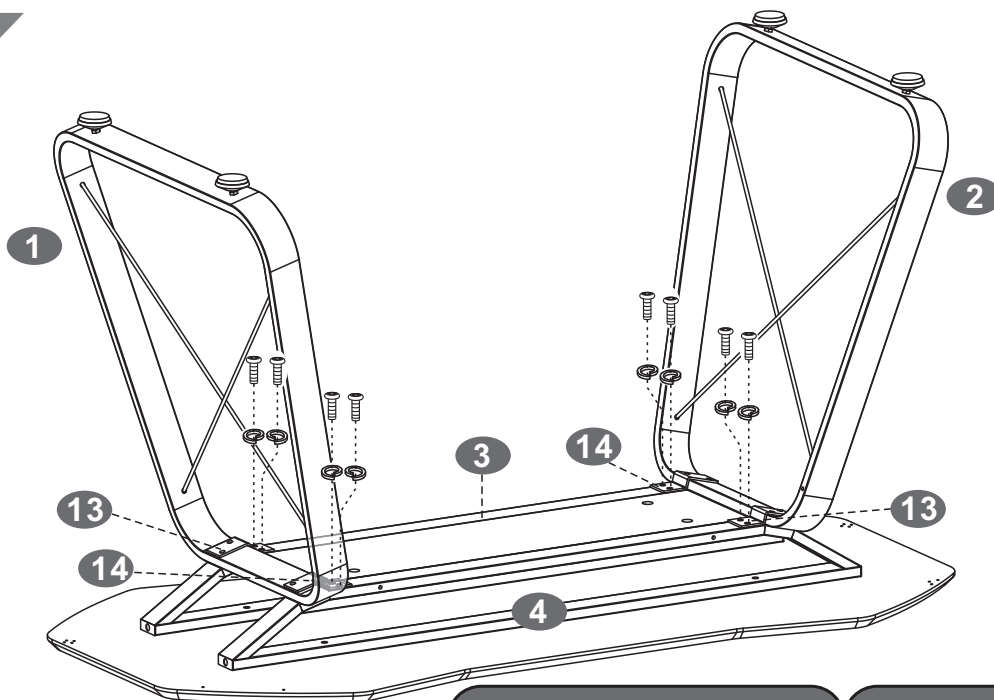


■ SCREWS

C 6X30 MM
x8



5



■ SCREWS

F Φ 10 MM
x8

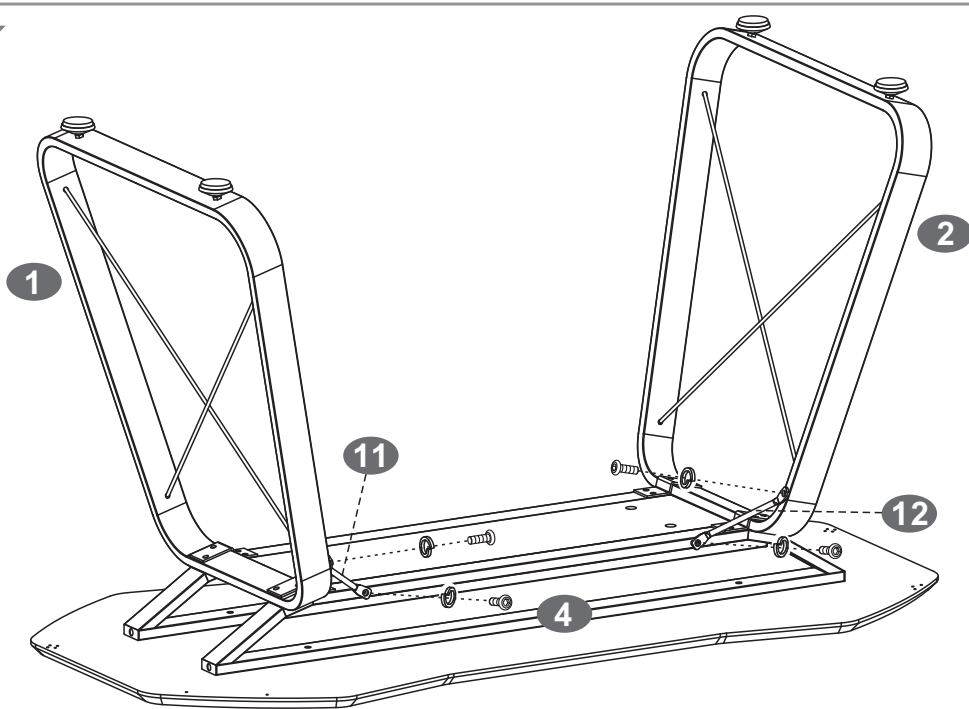


■ SCREWS

A 6X15 MM
x8



6



- SCREWS

F Φ 10 MM

 x4

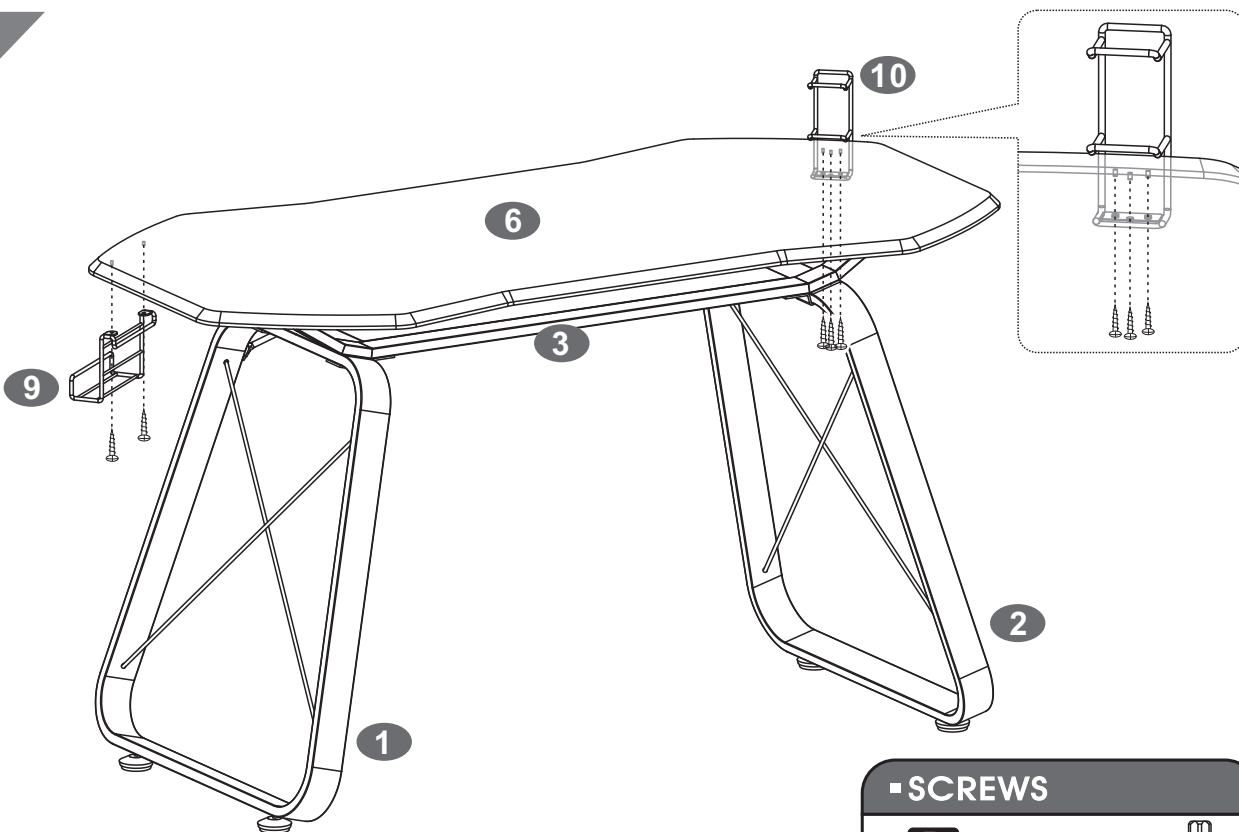
- SCREWS

A 6X15 MM

 x4



7



- SCREWS

D 4X14 MM

 x5



