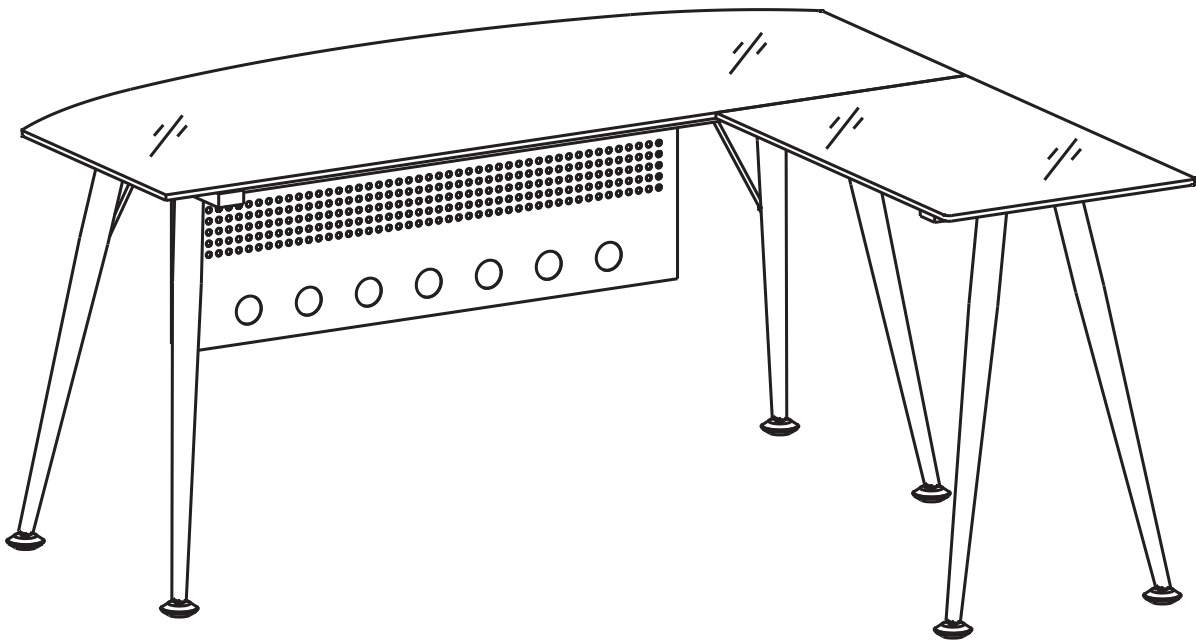


English

COMPUTER TABLE

ASSEMBLY INSTRUCTION

Thanks for purchasing one of our products, please read carefully the assembly instructions before the installation (Attention: Do not tighten the screws before all screws are in place).



MODEL CT-3818

General Care:

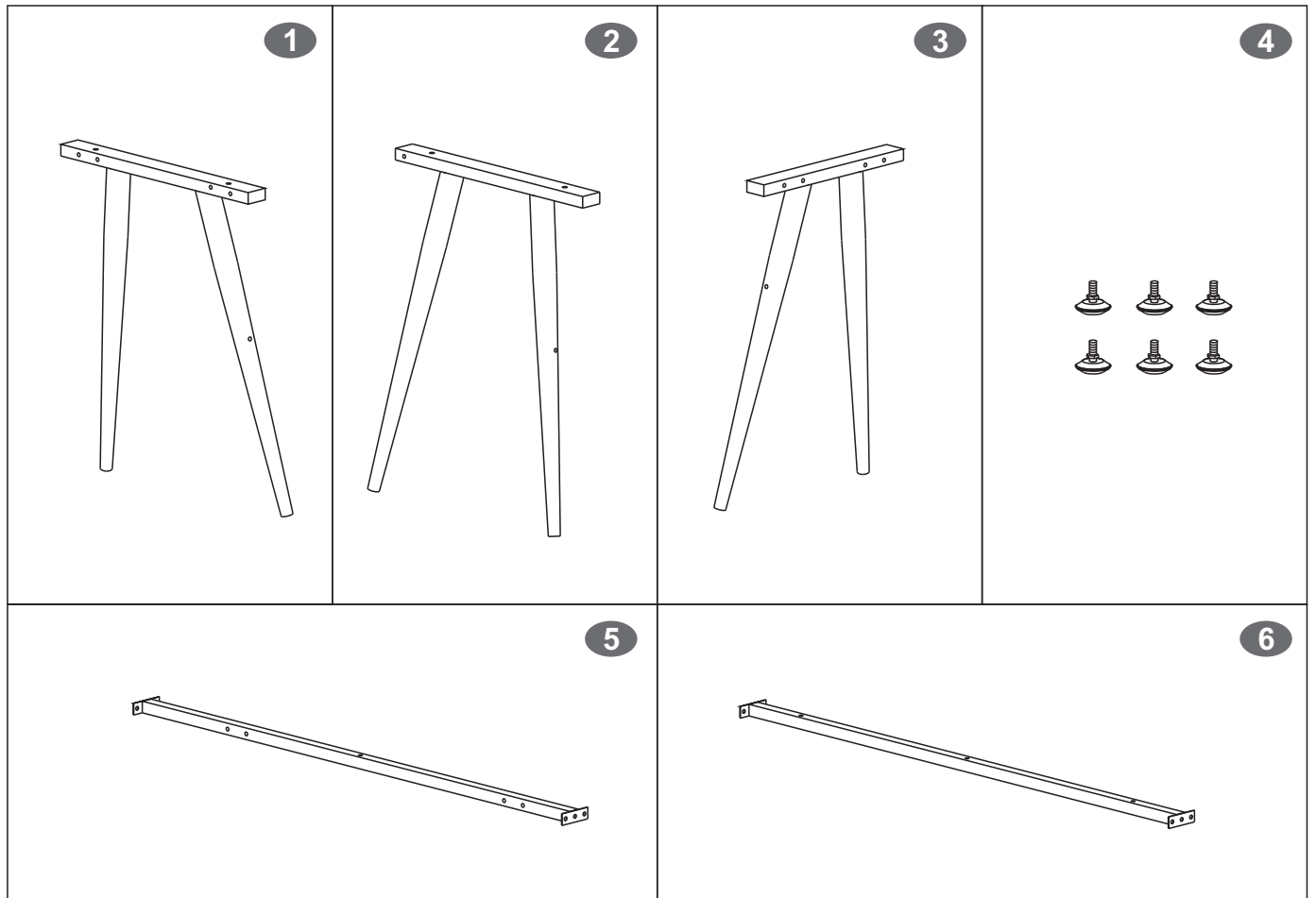
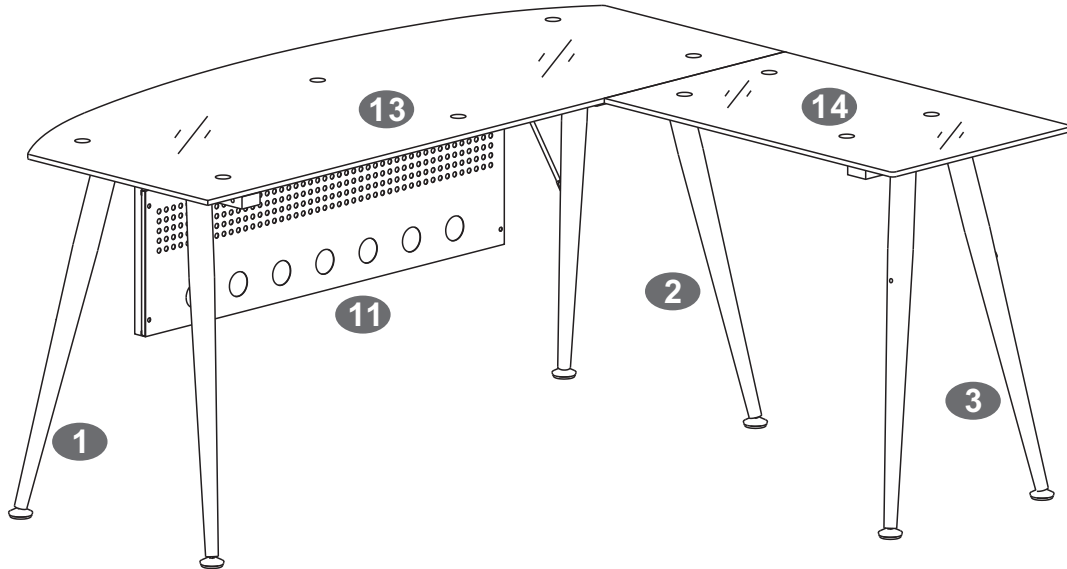
-Keep your furniture out direct sunlight-Use desk pads and coasters to protect the surface from dents, scratches, and moisture from hot or cold liquids.

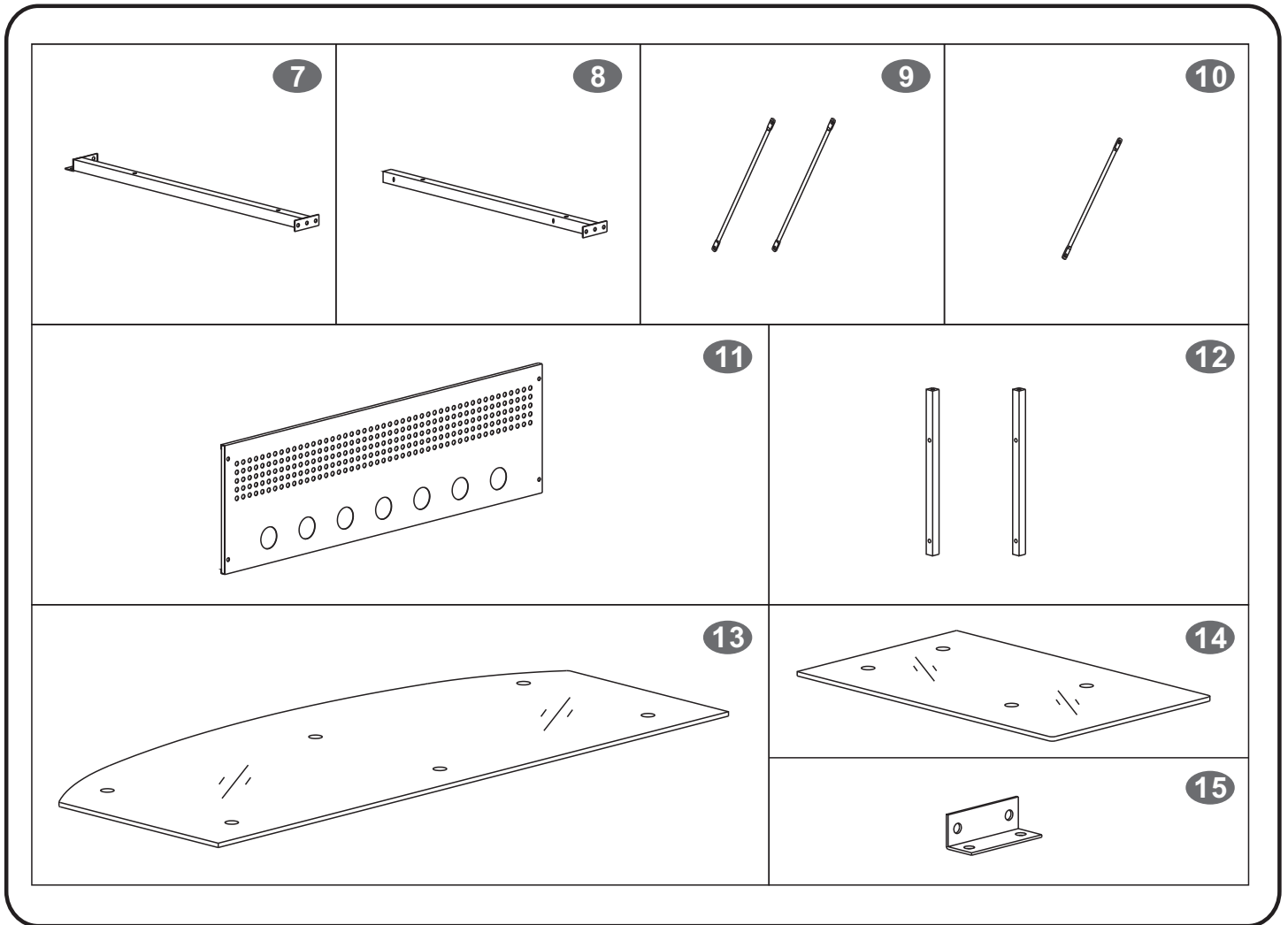
Cleaning:

-For cleaning, wipe the surface with a damp (not wet) cloth or wipe dry with a clean lint free cotton cloth.
-Window cleaning liquid or a similar cleaning liquid can be used to clean glass surface.



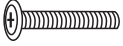
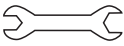
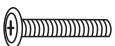
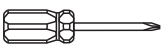


▀ PARTS LIST

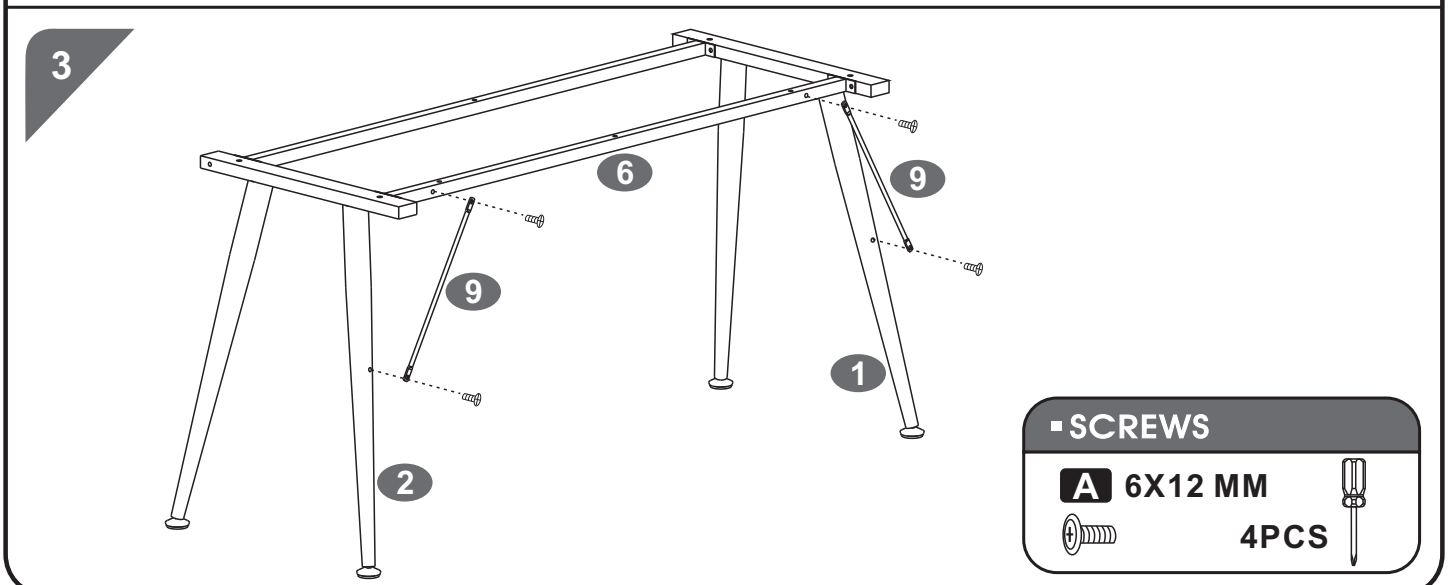
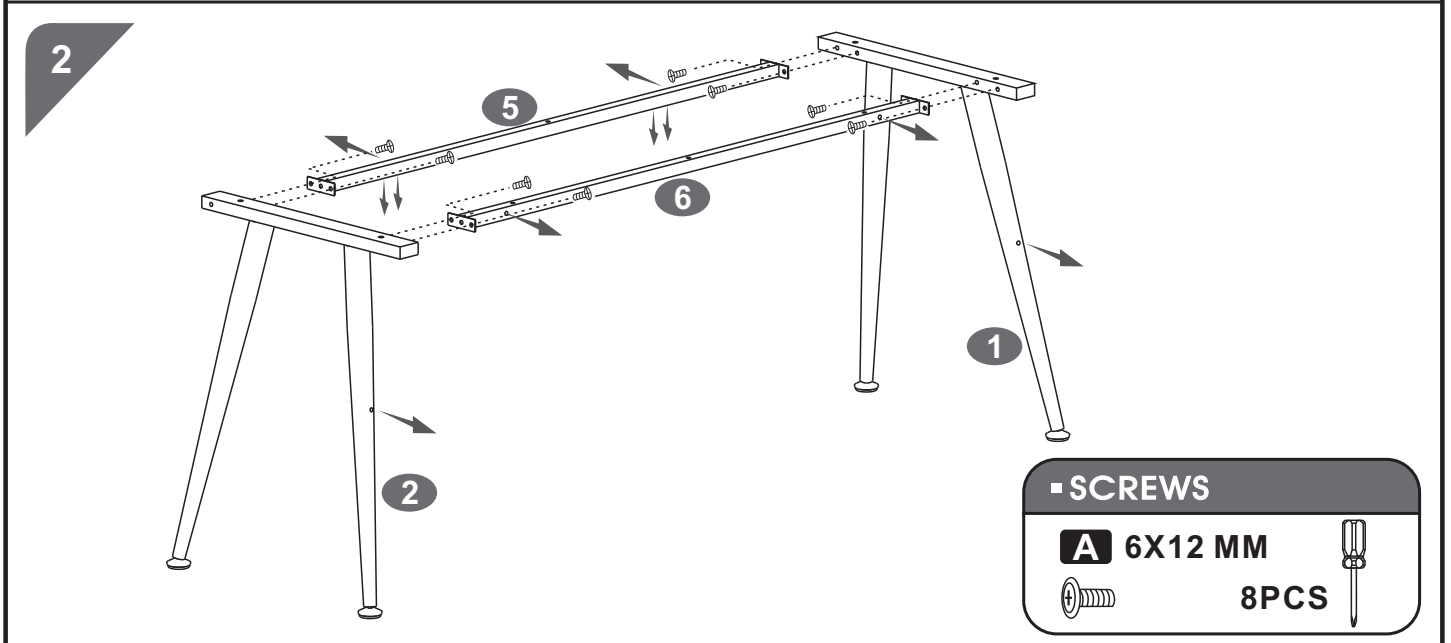
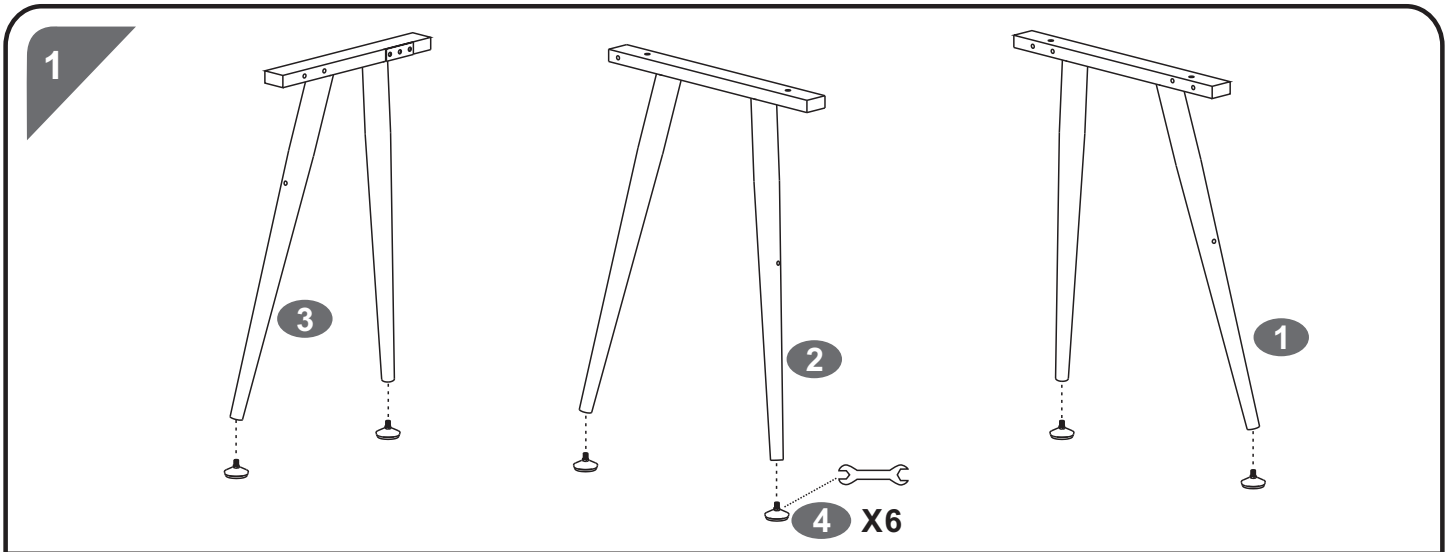




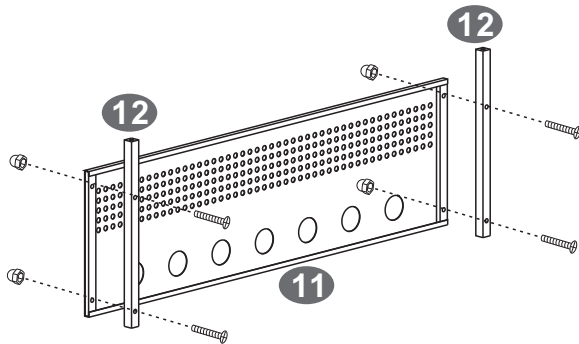
▪SCREWS LIST

PART	QTY.	ITEM		PART	QTY.	ITEM	
A	25	6X12MM		D	4	M6	
B	6	6X35 MM			1		
C	10	6X30 MM			1		

ASSEMBLY STEPS:



4



■ SCREWS

B 6X35 MM

4PCS

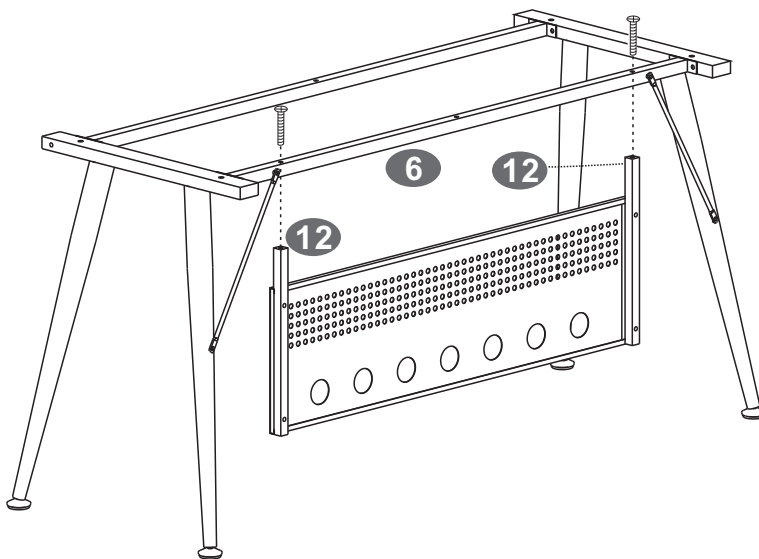


D M6

4PCS



5



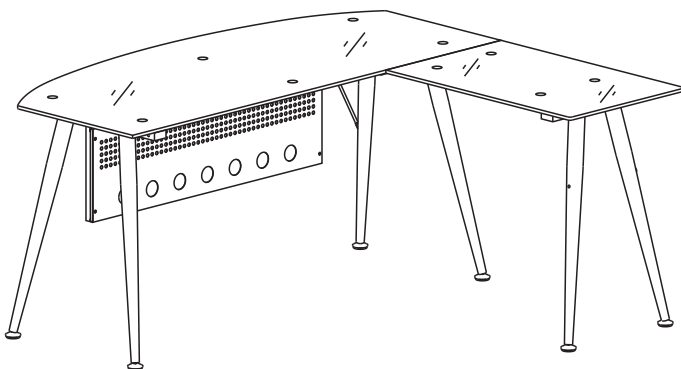
■ SCREWS

B 6X35 MM

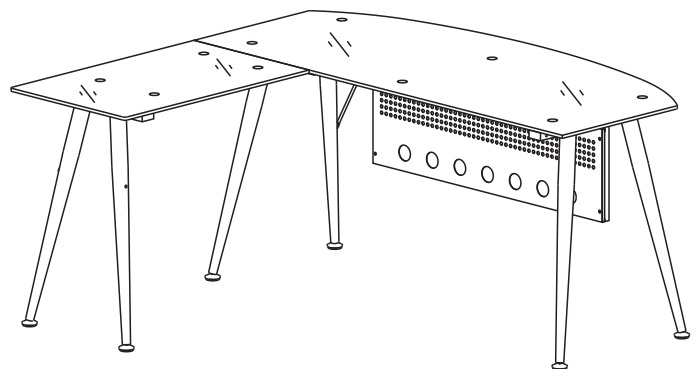
2PCS



**** There are 2 options to assemble our desk, please choose it according to your preference.**

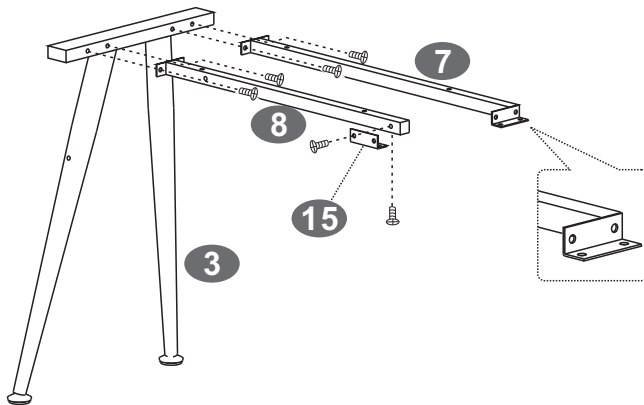


A
A1-A5



B
B1-B5

A1



- SCREWS

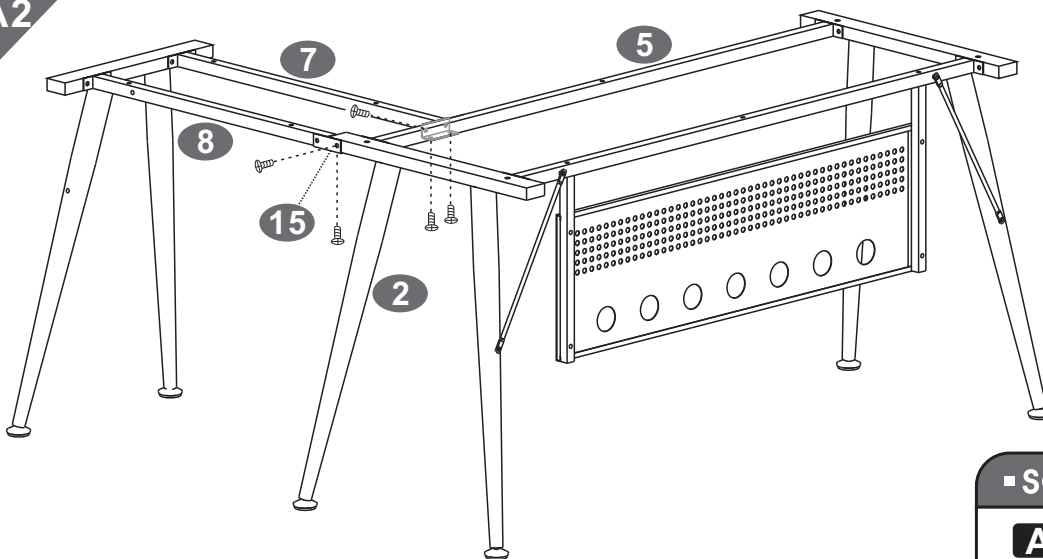
A 6X12 MM



6PCS



A2



- SCREWS

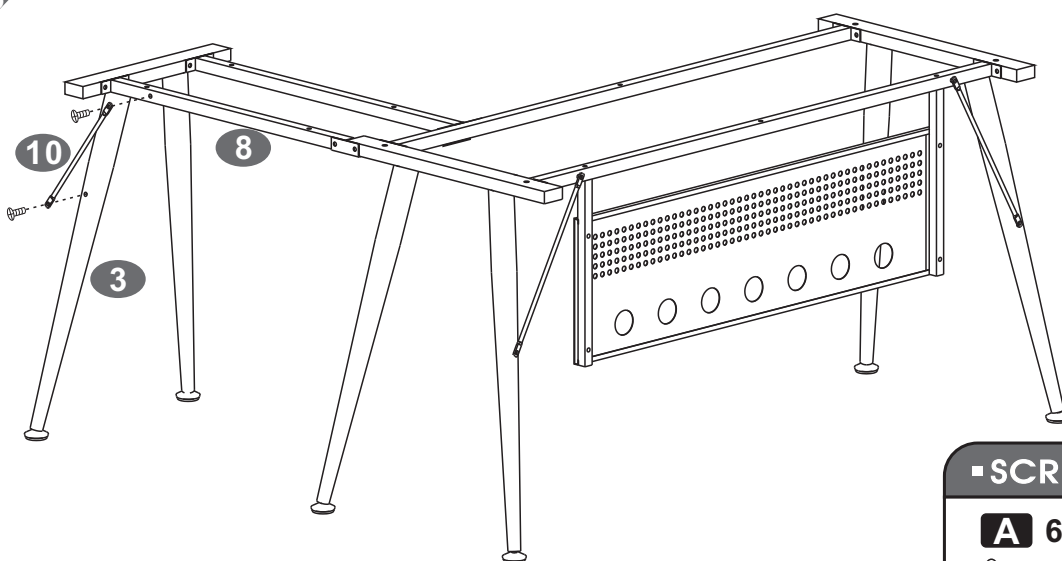
A 6X12 MM



5PCS



A3



- SCREWS

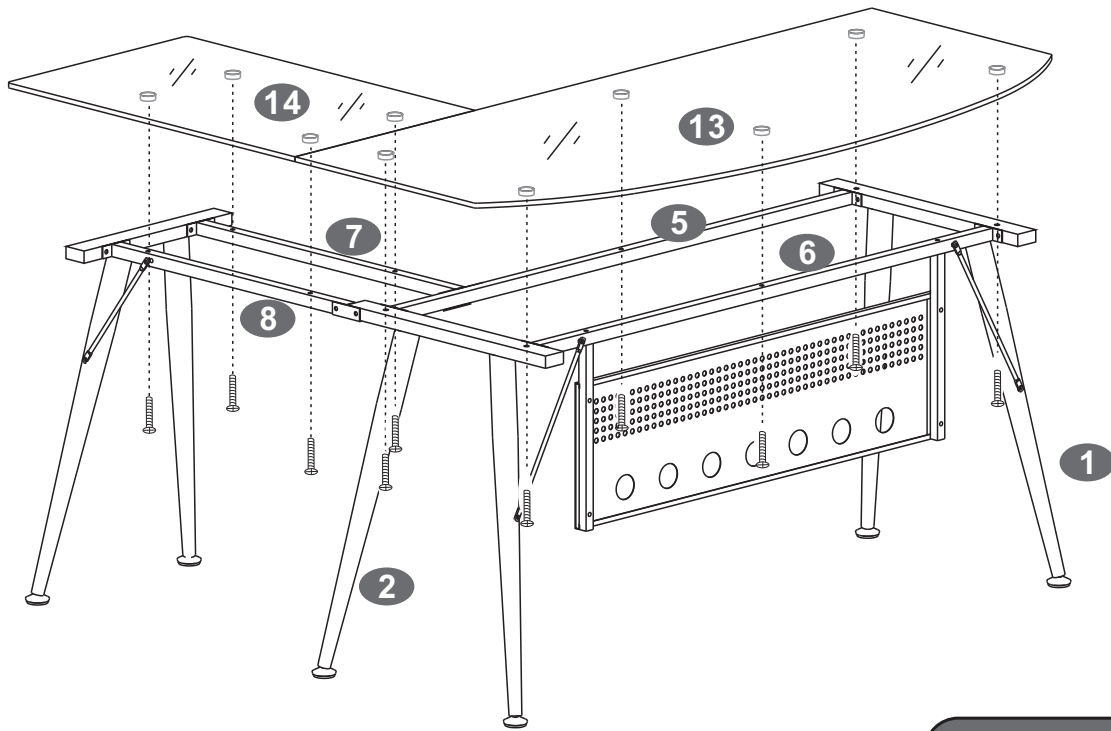
A 6X12 MM



2PCS



A4



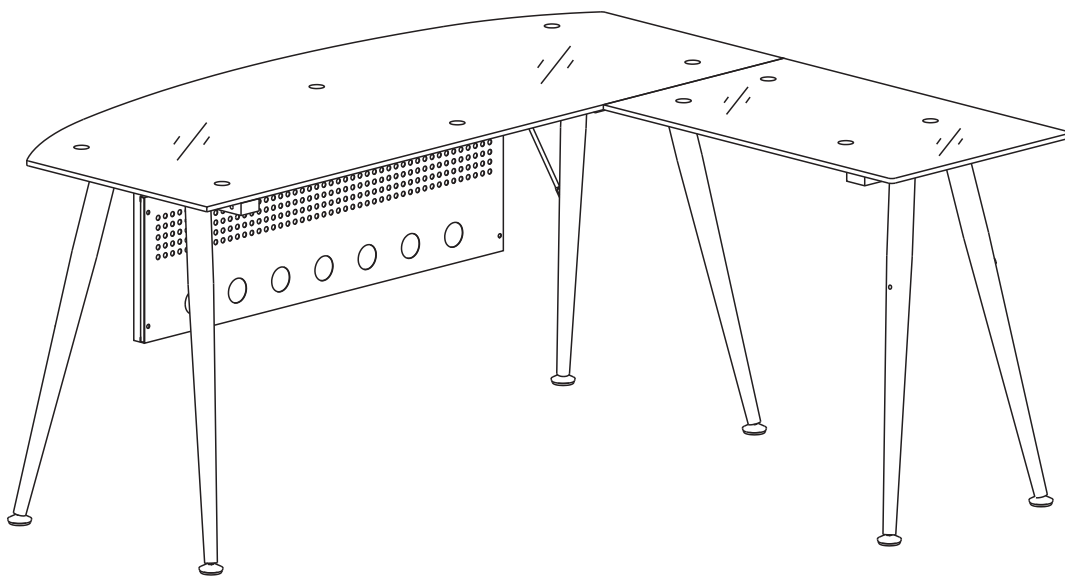
■ SCREWS

C 6X30 MM

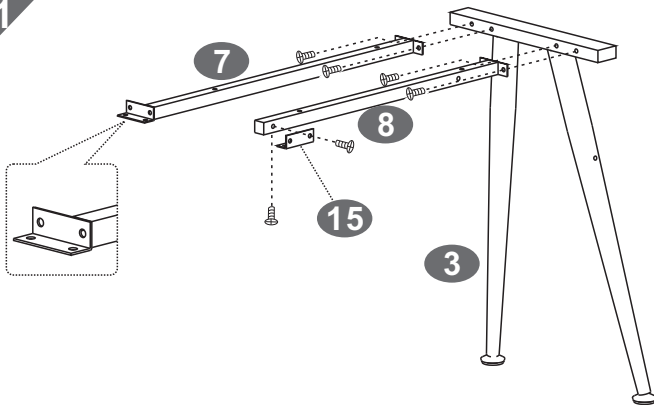
 10PCS



A5



B1



- SCREWS

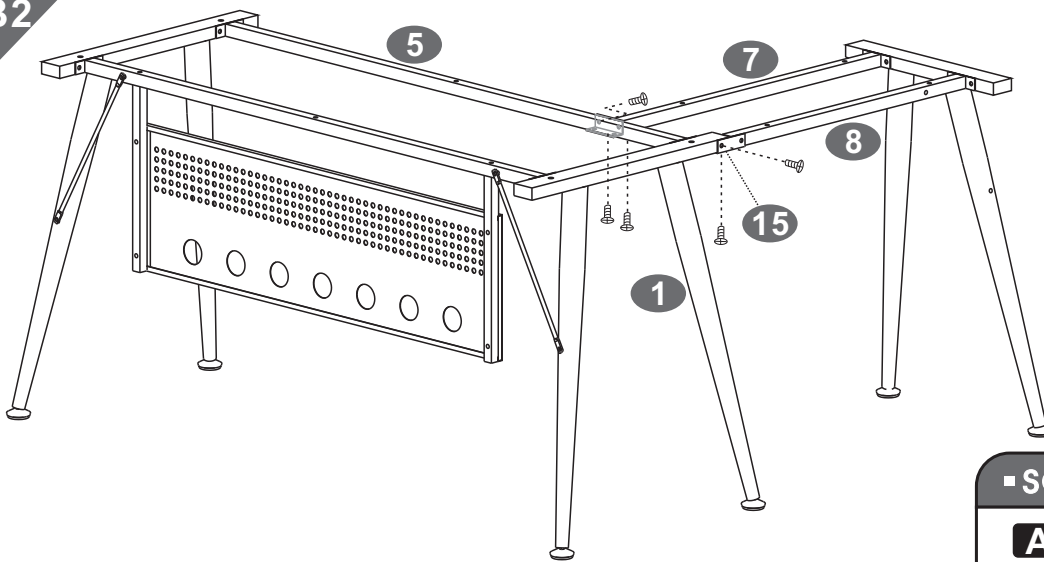
A 6X12 MM



6PCS



B2



- SCREWS

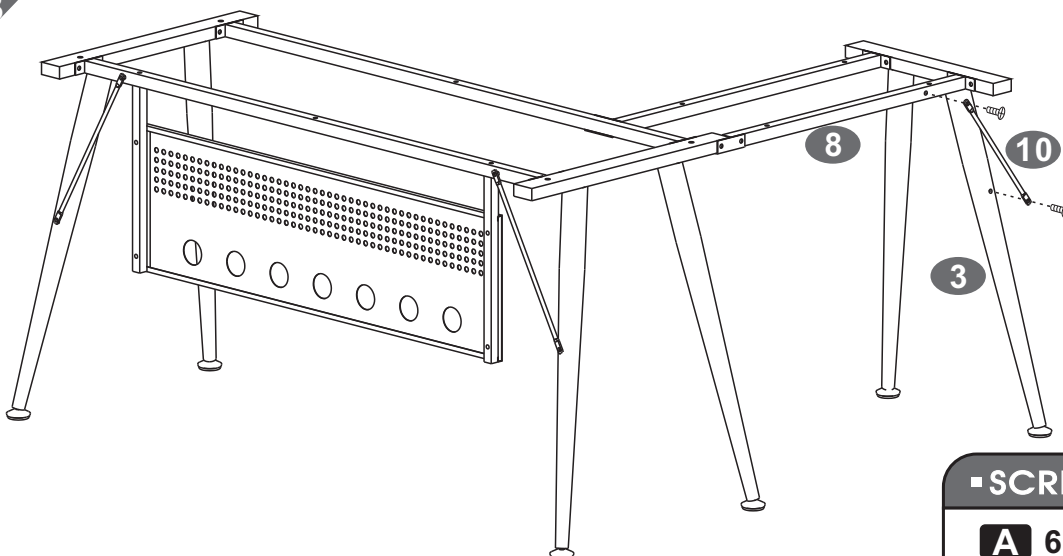
A 6X12 MM



5PCS



B3



- SCREWS

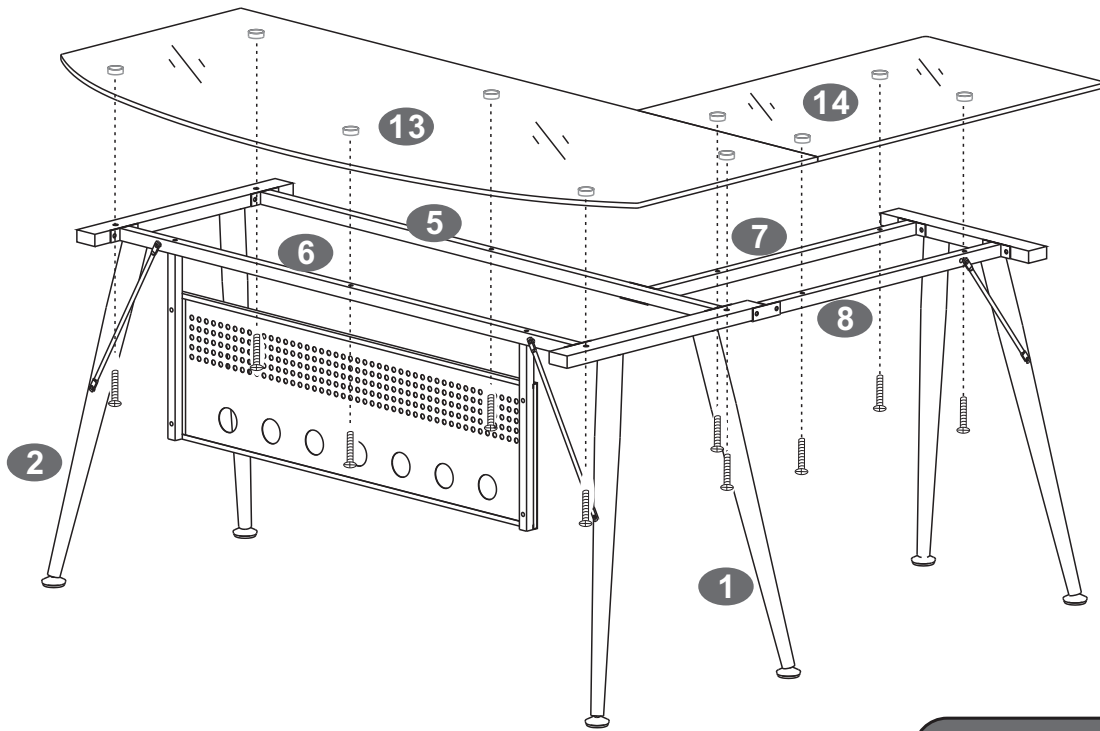
A 6X12 MM



2PCS



B4



SCREWS

C 6X30 MM

10PCS



B5

