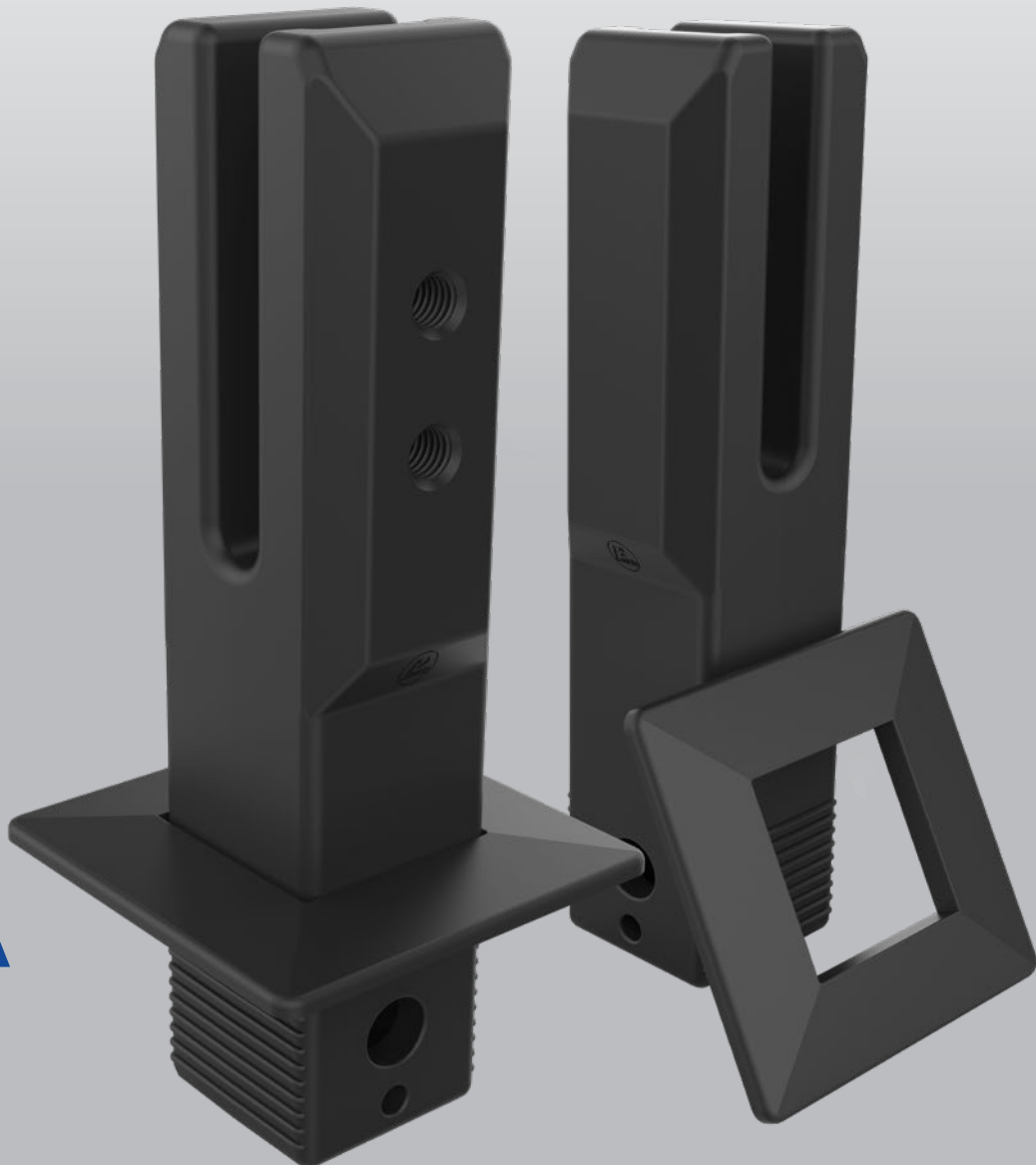


COMPOSITE

SPIGOT



FOR FRAMELESS GLASS FENCING



AS 1926.1 -2007
- AND -
AS 1926.1 -2012
Accreditation Number STS17-0212-01



SUITS
12MM
GLASS

WILL NOT
RUST
(CORRODE)

WORLD'S FIRST 100% COMPOSITE FENCING SPIGOT REQUIRING
NO EARTHING/GROUNDING!

FULLY
UV
STABILISED

CAN BE
PAINTED
TO MATCH
ANY DECOR



Worlds first 100% composite fencing spigot requiring no earthing/grounding!

The BuildTuff Composite Spigot is the culmination of more than five years of intensive research and development by the multi-award winning product design team at Evolve Group.

Produced using the highest quality and highest grade of engineering composite materials, the BuildTuff Composite Spigot has been tested by NATA (National Association of Testing Authorities) and meets design compliance certification in accordance with AS1926.1 Safety barriers for pools. All BuildTuff Composite Spigots are manufactured in a state of the art ISO accredited manufacturing facility in Brisbane, Australia.

The BuildTuff Composite Spigot is designed specifically for onground glass fencing applications and due to its non-conductive composite construction, does not require earthing under AS3000.2007 equipotential bonding.

COMPOSITE SPIGOT

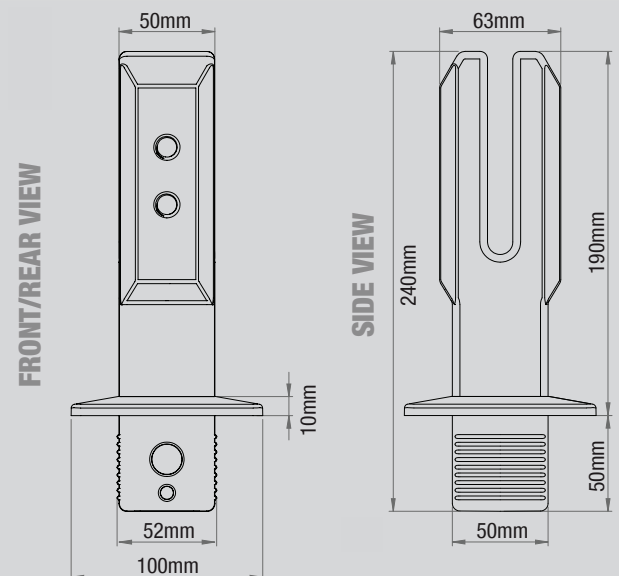
FOR FRAMELESS GLASS FENCING

WORLDS FIRST 100% COMPOSITE FENCING SPIGOT REQUIRING NO EARTHING/GROUNDING!

Features

- ✓ Save Thousands of dollars on your glass fencing project. No electrician required.
- ✓ NATA tested in accordance with Australian Standards (AS1926.1 Safety barriers for pools).
- ✓ Made from ultra-robust, UV stabilised materials.
- ✓ 100% composite construction = will never rust or corrode.
- ✓ Suits 12mm thick glass applications.
- ✓ Designed for ground level installations.
- ✓ Meets Equipotential Bonding (EB) requirements under AS3000:2007 and international EB standards.
- ✓ Designed by the multi award winning product design team at Evolve Group.
- ✓ 10 Years Warranty.*

Dimensions



Strictly for use on ground level installations. It is advised that prior to installation you familiarise yourself with any applicable local codes or building regulations. Please refer to our website or contact our office if you require any further information.

* Terms and conditions apply, please visit www.buildtuff.com.au for more information.



A product of
Venlo Investments Pty Ltd
 07 3184 4000 info@venlo.com.au
 PO Box 73, Margate Beach, QLD 4019
 venlo.com.au

