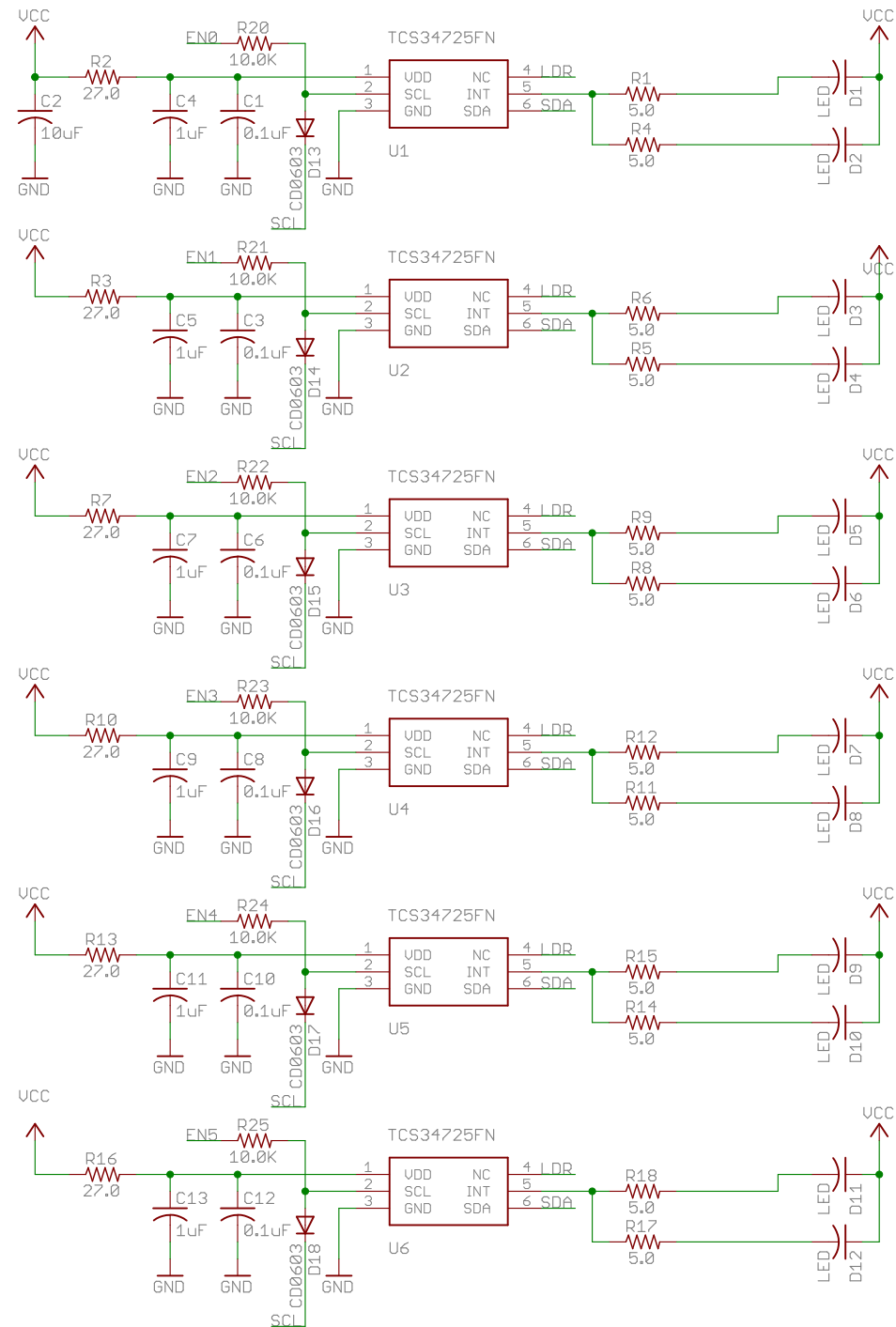
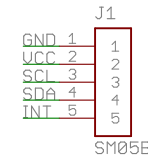
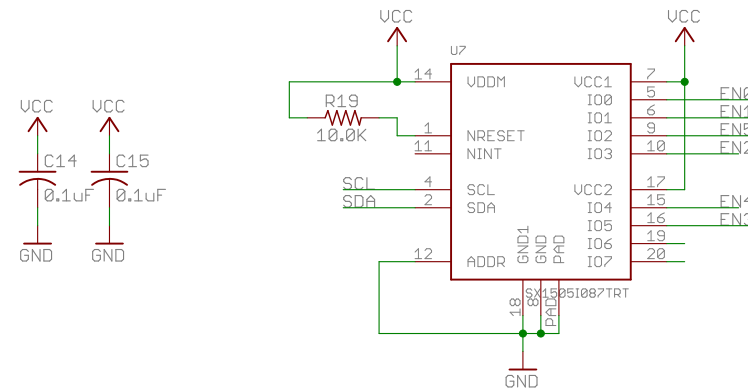


# TCS34725 Color Sensors




# GPIO Expander



Variant: Standard  
 Non Populated: -  
 Hand Populated: -  
 Hand Soldered: -  
 Notes: -

Released under the Creative Commons Attribution Share-Alike 3.0 License  
<http://creativecommons.org/licenses/by-sa/3.0>

Original Arduino Uno Design by Team Arduino  
 LilyPad Arduino Design by Leah Buechley and Sparkfun Electronics  
 TinyDuino, TinyLily and TinyShield Designs by TinyCircuits

		<a href="http://www.TinyCircuits.com">http://www.TinyCircuits.com</a>	
TITLE: Color Sensor Blade			
Document Number: AS-SCH-AST1044			REV: 2
Date: 9/26/2019 4:12:00 PM			Sheet: 1/1