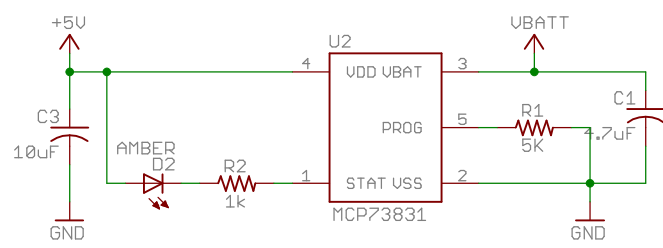
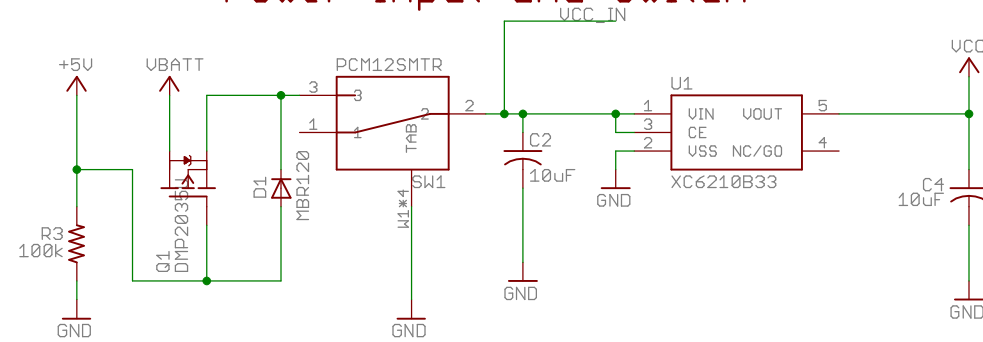


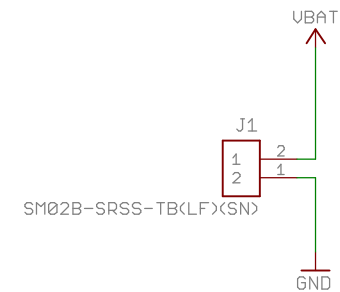
### Lithium Battery Charger



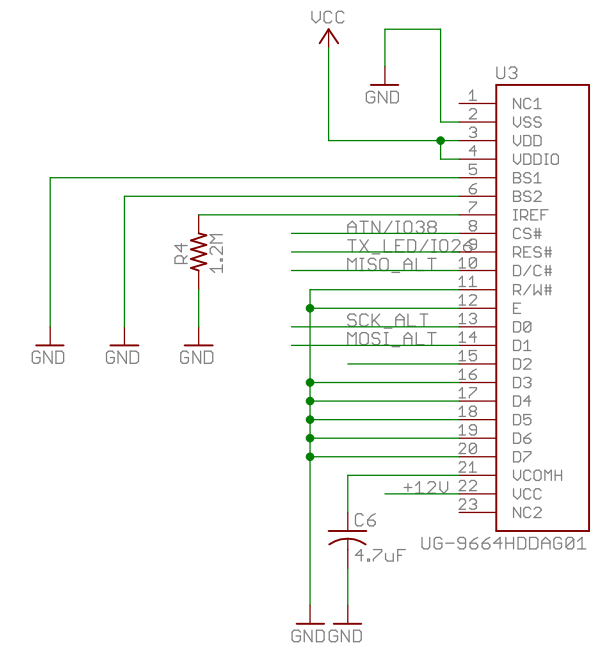
### Power Input and Switch



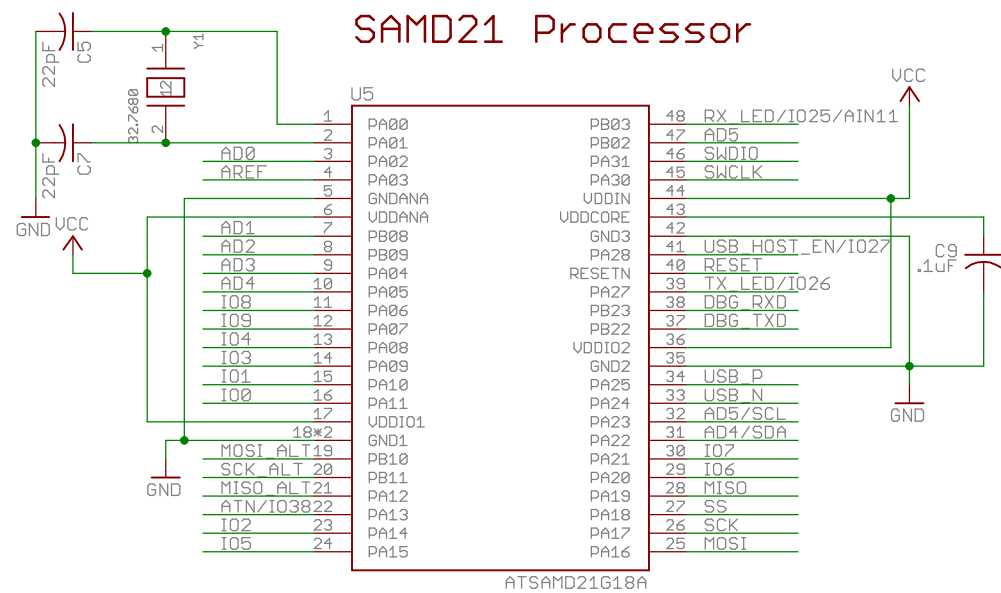
### Battery Connector- JST SH



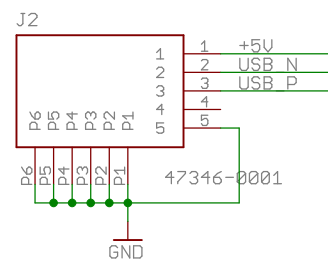
### OLED Screen



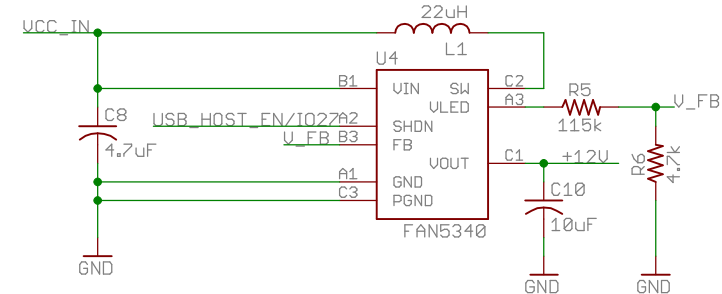
### SAMD21 Processor



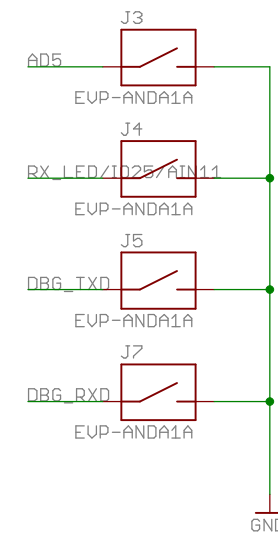
### USB Connector



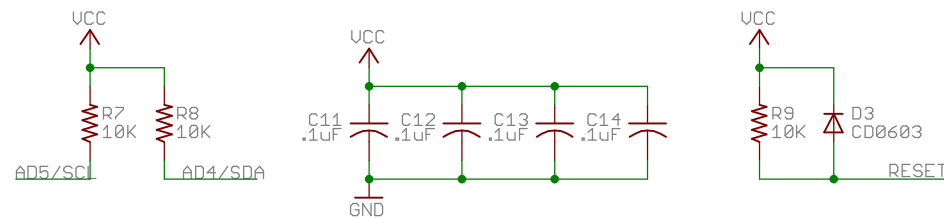
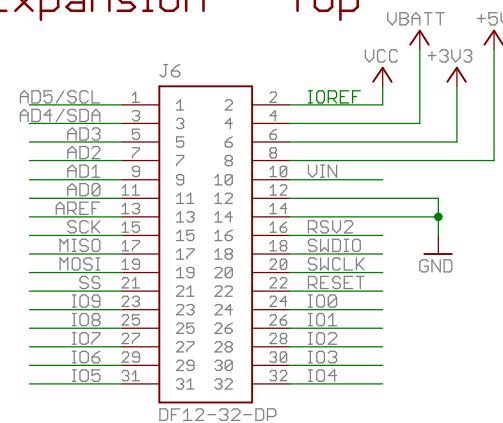
### 12.5V OLED Supply



### Buttons



### TinyShield Expansion - Top



Released under the Creative Commons Attribution Share-Alike 3.0 License  
<http://creativecommons.org/licenses/by-sa/3.0>

Original Arduino Uno Design by Team Arduino  
 LilyPad Arduino Design by Leah Buechley and Sparkfun Electronics  
 TinyDuino, TinyLily and TinyShield Designs by TinyCircuits

**TINYCIRCUITS** <http://www.Tiny-Circuits.com>

**TITLE:** TinyScreen+

**Document Number:** AS-SCH-ASM2022 **REV:** 3

**Date:** 2/1/2016 6:04:22 PM **Sheet:** 1/1