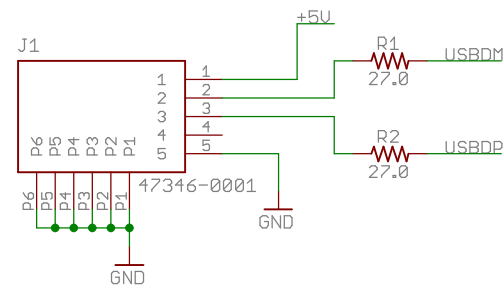
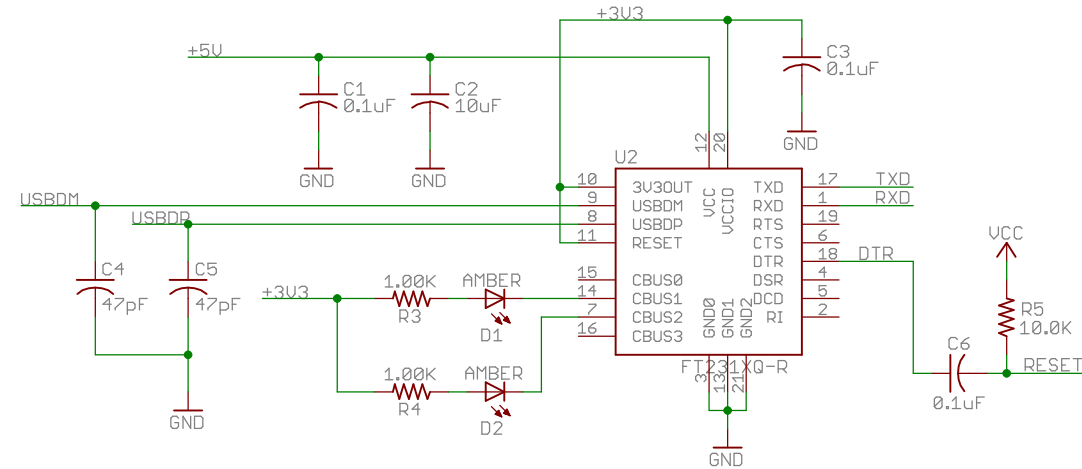


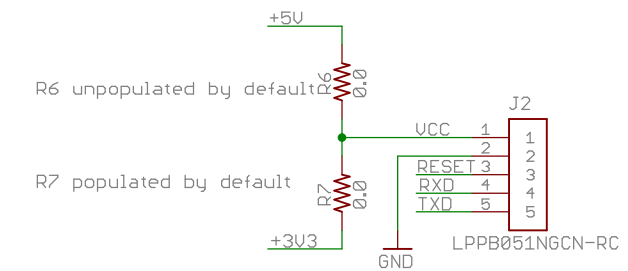
## Micro USB



## FTDI USB to Serial Converter



## TinyLily Mini Connector



Released under the Creative Commons Attribution Share-Alike 3.0 License  
<http://creativecommons.org/licenses/by-sa/3.0>

Original Arduino Uno Design by Team Arduino  
 LilyPad Arduino Design by Leah Buechley and Sparkfun Electronics  
 TinyDuino, TinyLily and TinyShield Designs by TinyCircuits

 <a href="http://www.TinyCircuits.com">http://www.TinyCircuits.com</a>	
TITLE: TinyLily Mini - USB	
Document Number: AS-SCH-ASL2111	REV: 4
Date: 3/7/2016 7:02:38 PM	Sheet: 1/1