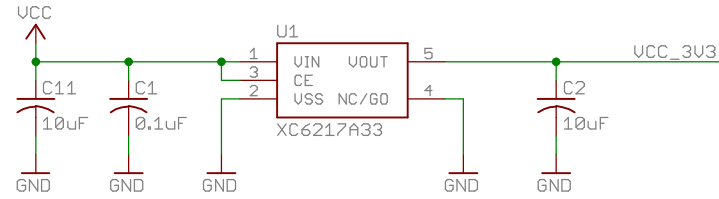
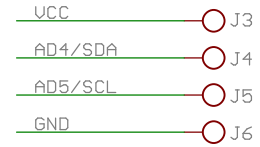


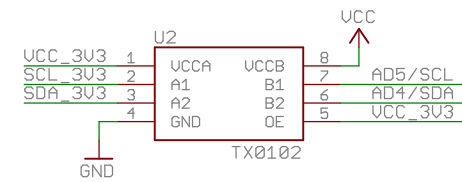
3.3V Power Supply



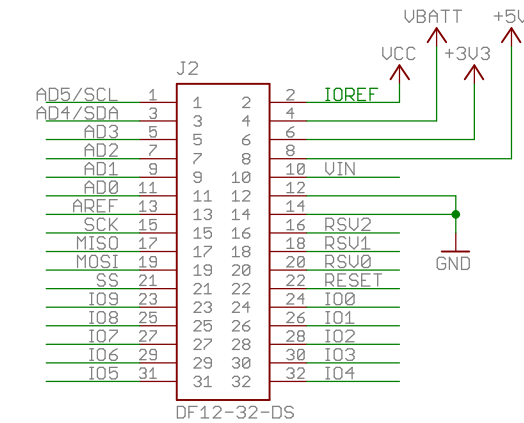
External Connections



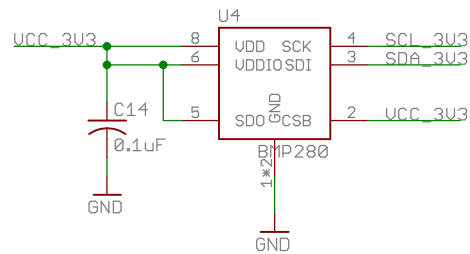
I2C Level Shifter



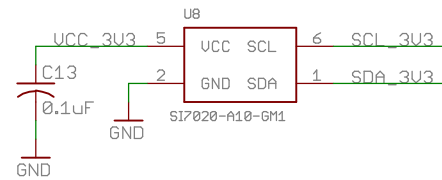
TinyShield Expansion - Bottom



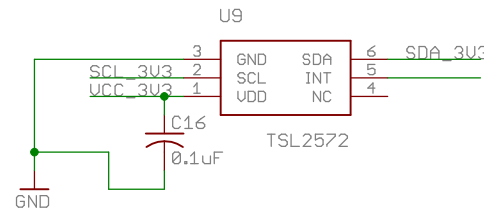
Pressure



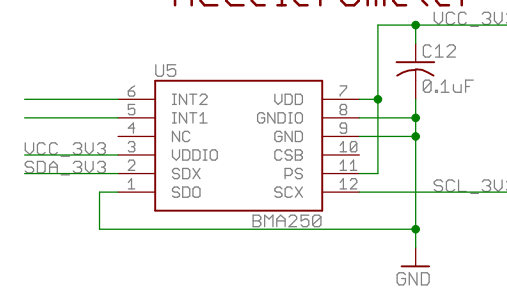
Temp and Humidity



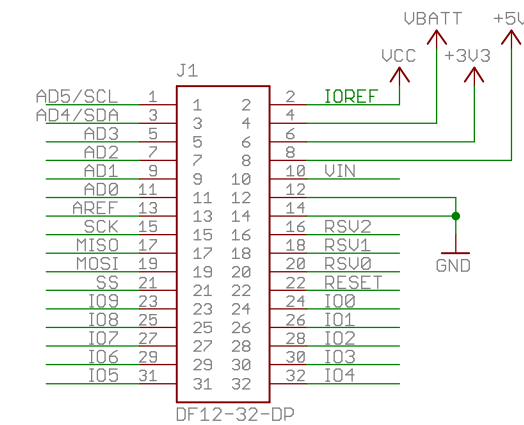
Ambient Light



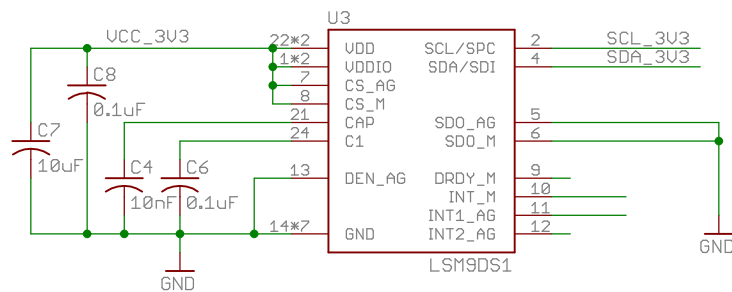
Accelerometer



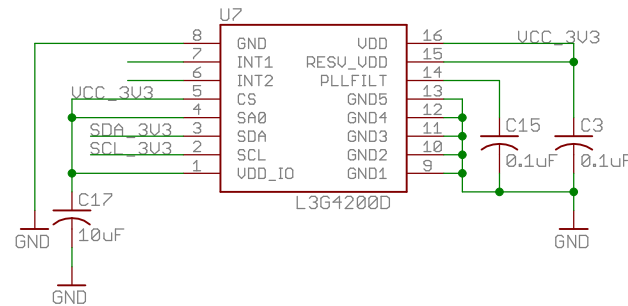
TinyShield Expansion - Top



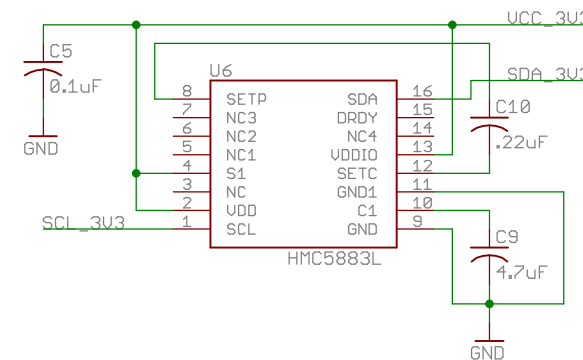
9 Axis



Gyro



Magnetometer



Released under the Creative Commons Attribution Share-Alike 3.0 License
<http://creativecommons.org/licenses/by-sa/3.0>

Original Arduino Uno Design by Team Arduino
 LilyPad Arduino Design by Leah Buechley and Sparkfun Electronics
 TinyDuino, TinyLily and TinyShield Designs by TinyCircuits

		http://www.TinyCircuits.com	
TITLE: TinyShield - Sensor Board			
Document Number: AS-SCH-ASD2511			REV: 5
Date: 2/14/2016 7:30:45 PM			Sheet: 1/1