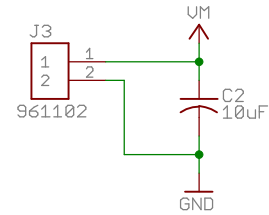
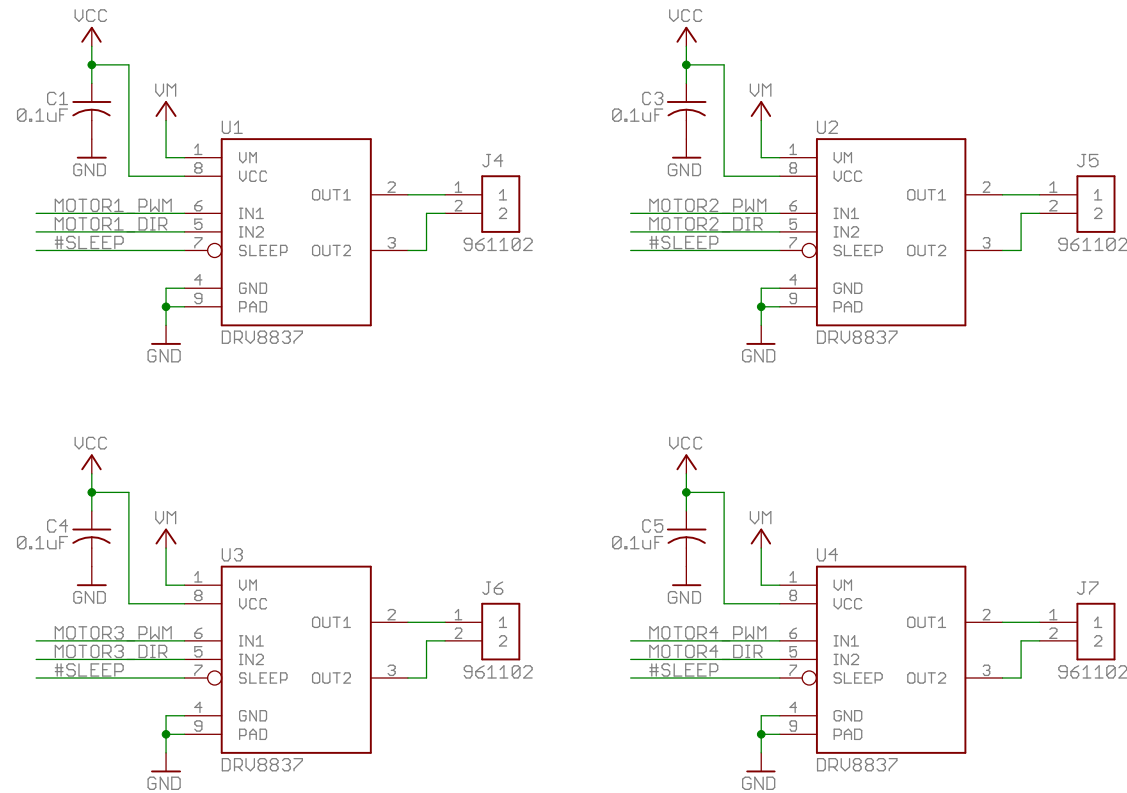


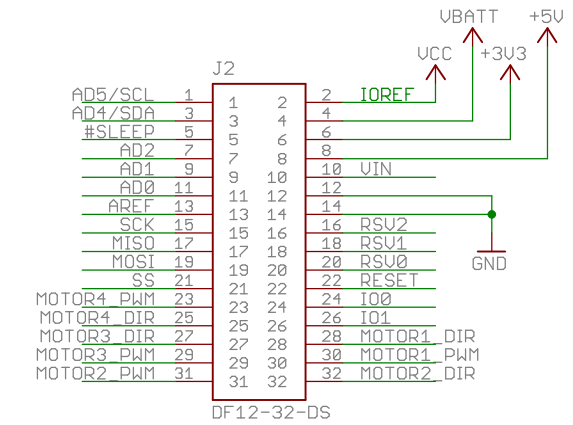
Motor DC Power Input



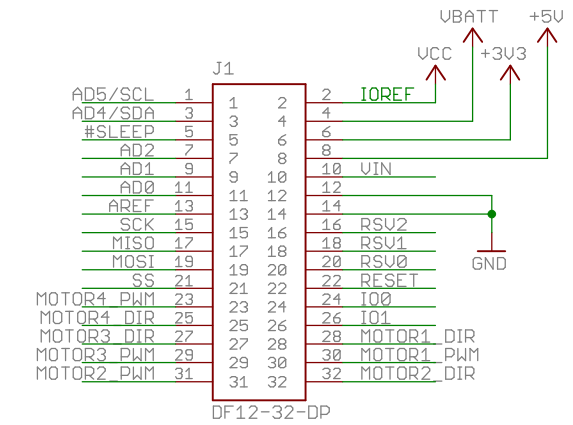
Motor Drivers



TinyShield Expansion - Bottom



TinyShield Expansion - Top



Released under the Creative Commons Attribution Share-Alike 3.0 License
<http://creativecommons.org/licenses/by-sa/3.0>

Original Arduino Uno Design by Team Arduino
 LilyPad Arduino Design by Leah Buechley and Sparkfun Electronics
 TinyDuino, TinyLily and TinyShield Designs by TinyCircuits

		http://www.Tiny-Circuits.com	
TITLE: TinyShield - Motor (x4)			
Document Number: AS-SCH-ASD2301			REV: 1
Date: 5/26/2013 6:43:46 PM			Sheet: 1/1