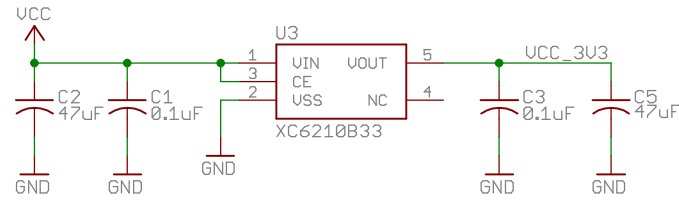
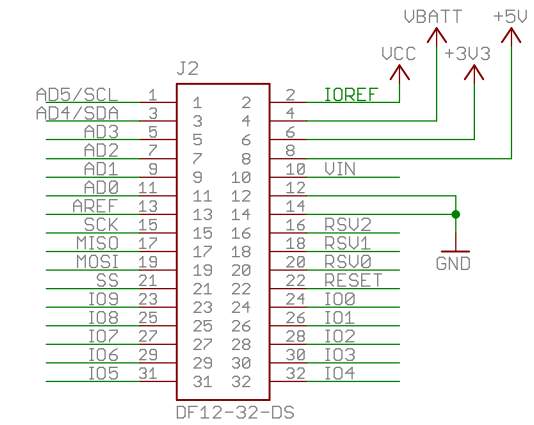


### 3.3V Power Supply

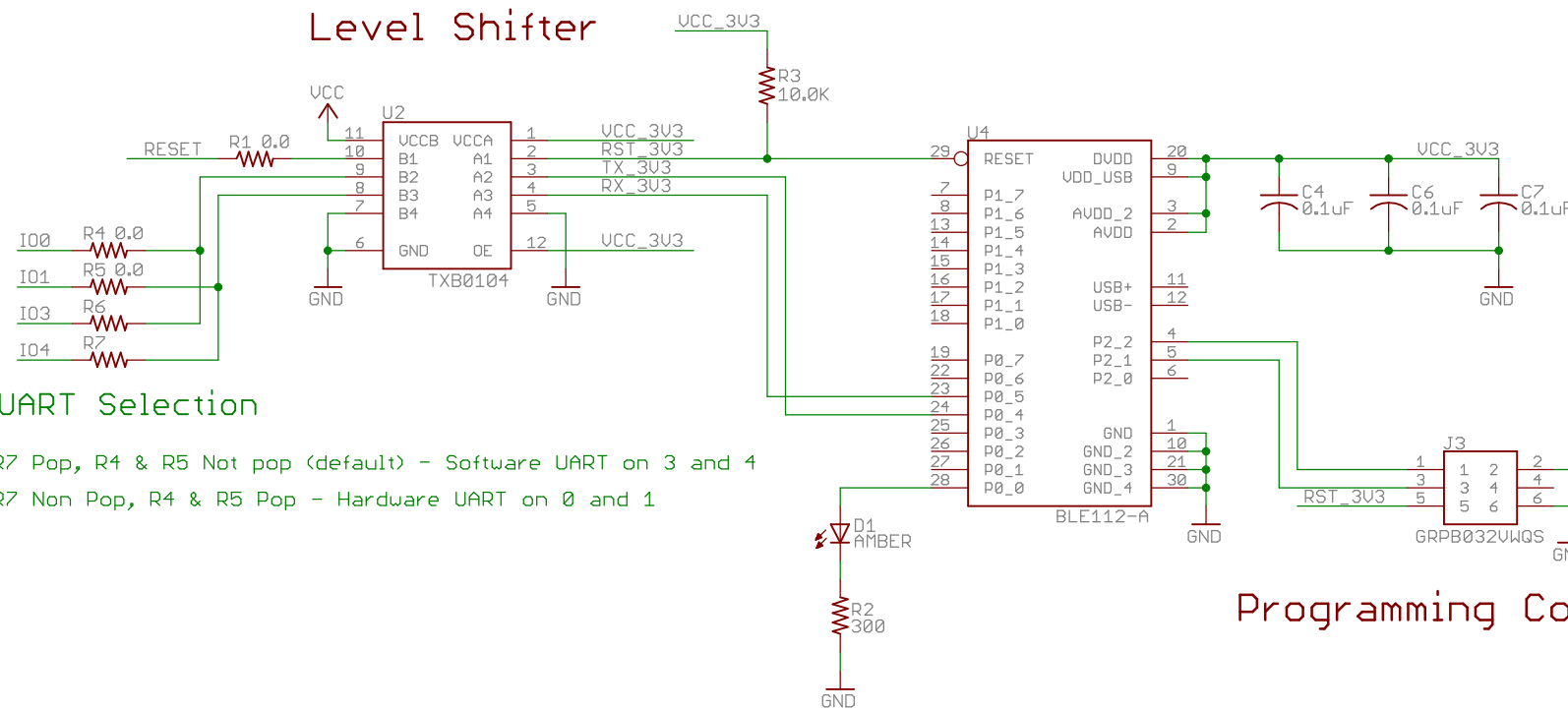


### TinyShield Expansion - Bottom

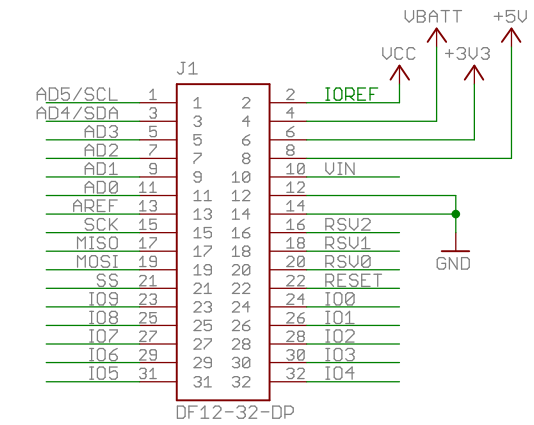


### BLE112 Bluetooth Module

#### Level Shifter



### TinyShield Expansion - Top



#### UART Selection

R6 & R7 Pop, R4 & R5 Not pop (default) - Software UART on 3 and 4  
 R6 & R7 Non Pop, R4 & R5 Pop - Hardware UART on 0 and 1

### Programming Connector

Released under the Creative Commons Attribution Share-Alike 3.0 License  
<http://creativecommons.org/licenses/by-sa/3.0>

Original Arduino Uno Design by Team Arduino  
 LilyPad Arduino Design by Leah Buechley and Sparkfun Electronics  
 TinyDuino, TinyLily and TinyShield Designs by TinyCircuits

		<a href="http://www.Tiny-Circuits.com">http://www.Tiny-Circuits.com</a>	
TITLE: TinyShield - Bluetooth LE			
Document Number: AS-SCH-ASD2112			REV: 2
Date: 10/7/2013 1:12:06 PM			Sheet: 1/1