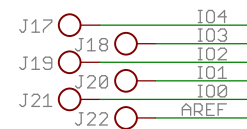
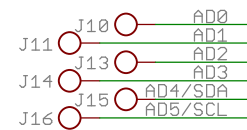
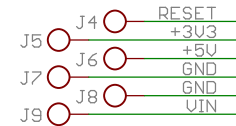
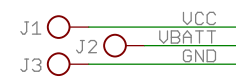
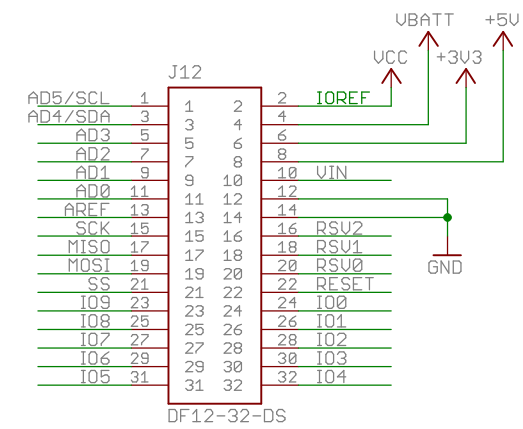


Proto2 - Through-Hole 0.1" Prototyping Board

Through-Hole Expansion Solder Points



TinyShield Expansion - Bottom



Released under the Creative Commons Attribution Share-Alike 3.0 License
<http://creativecommons.org/licenses/by-sa/3.0>

Original Arduino Uno Design by Team Arduino
 LilyPad Arduino Design by Leah Buechley and Sparkfun Electronics
 TinyDuino, TinyLily and TinyShield Designs by TinyCircuits

 http://www.Tiny-Circuits.com	
TITLE: TinyShield - Proto2	
Document Number: AS-SCH-ASD2003	REV: 3
Date: 12/26/2013 12:14:46 PM	Sheet: 1/1