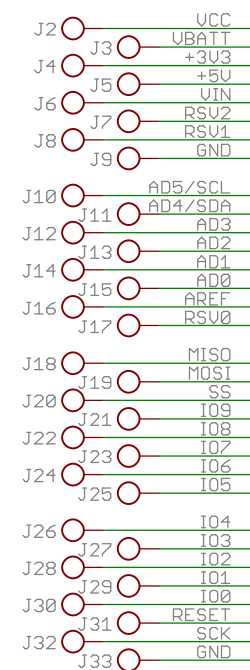
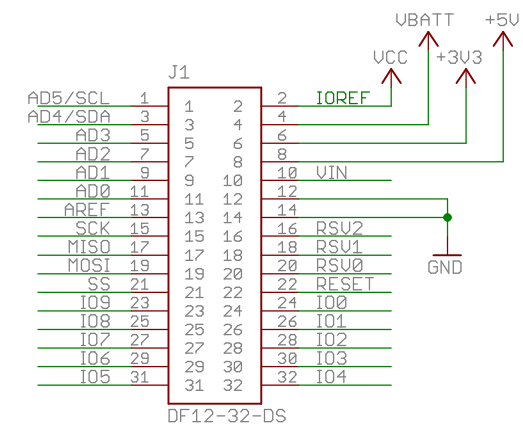


# Proto1 - Through-Hole 2mm Prototyping Board

## Through-Hole Expansion Solder Points



## TinyShield Expansion - Bottom



Released under the Creative Commons Attribution Share-Alike 3.0 License  
<http://creativecommons.org/licenses/by-sa/3.0>

Original Arduino Uno Design by Team Arduino  
 LilyPad Arduino Design by Leah Buechley and Sparkfun Electronics  
 TinyDuino, TinyLily and TinyShield Designs by TinyCircuits

 <a href="http://www.Tiny-Circuits.com">http://www.Tiny-Circuits.com</a>	
TITLE: TinyShield - Proto1	
Document Number: AS-SCH-ASD2002	REV: 4
Date: 7/7/2013 9:27:24 PM	Sheet: 1/1