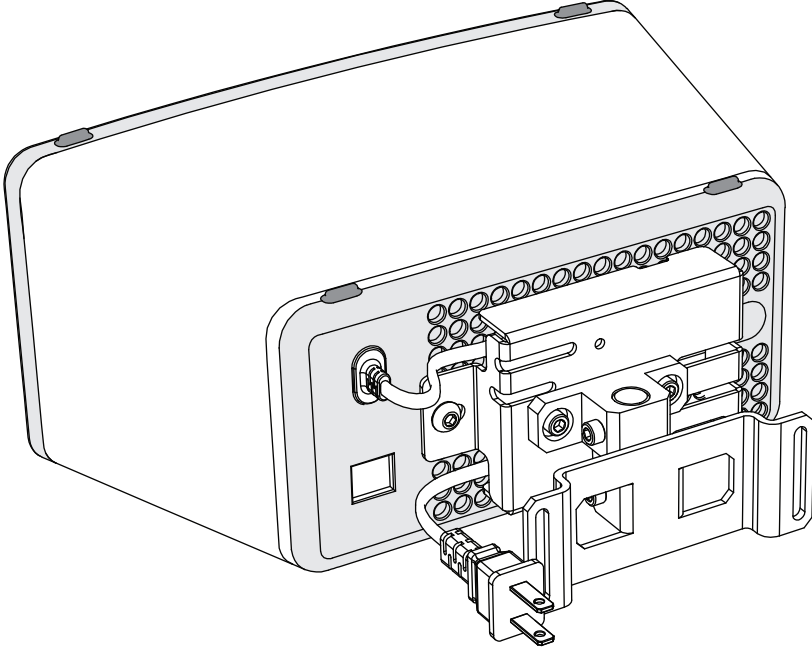
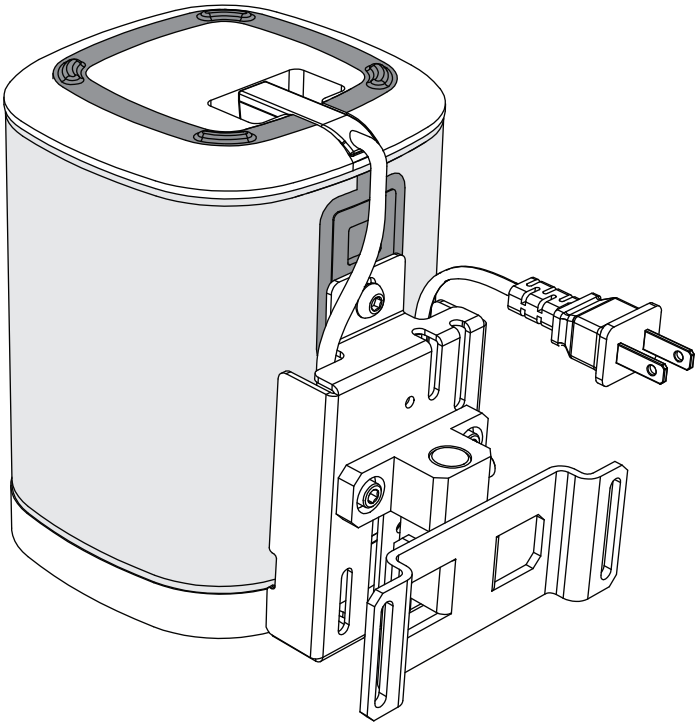
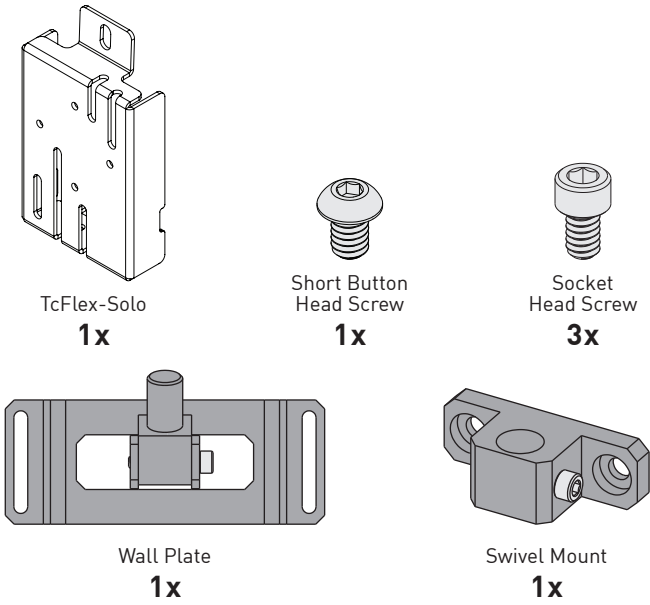


TcFLEX-SOLO

for Sonos Play:1 and Play:3



TcFLEX-SOLO PARTS



WALL MOUNT KIT

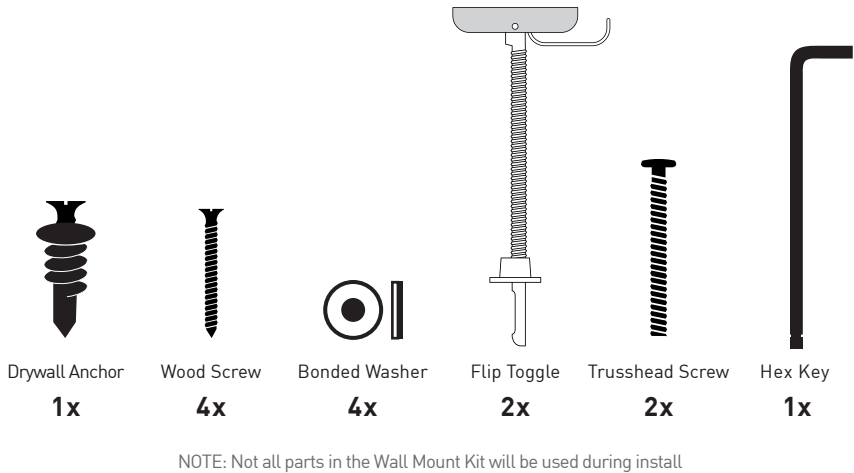
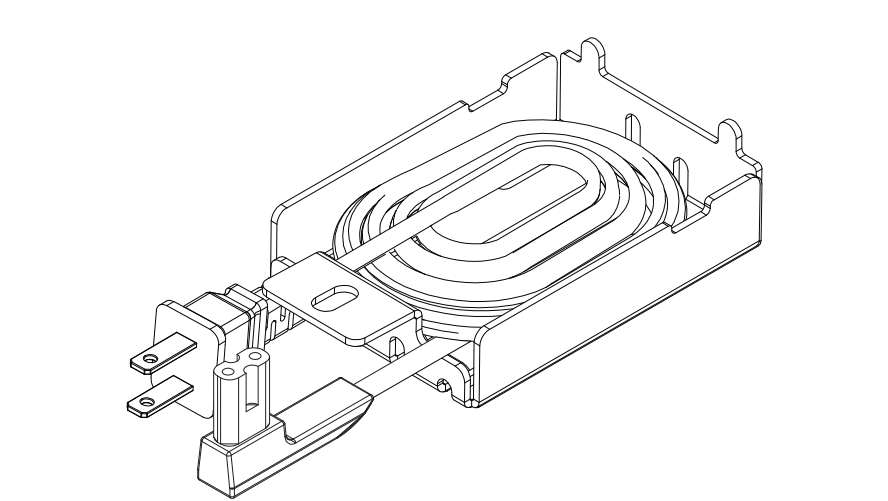
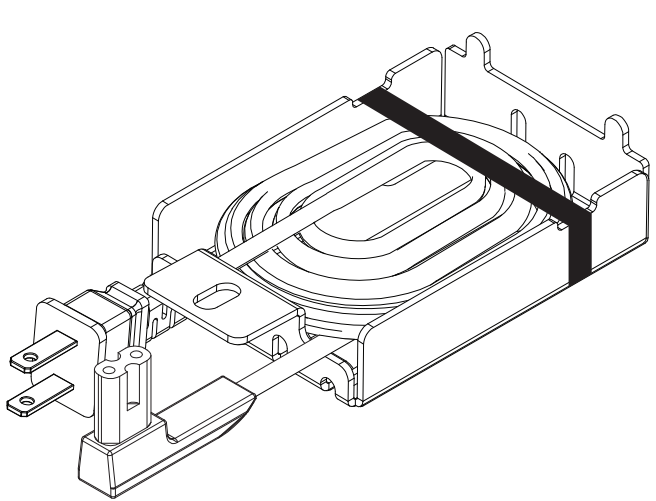


Fig. 1



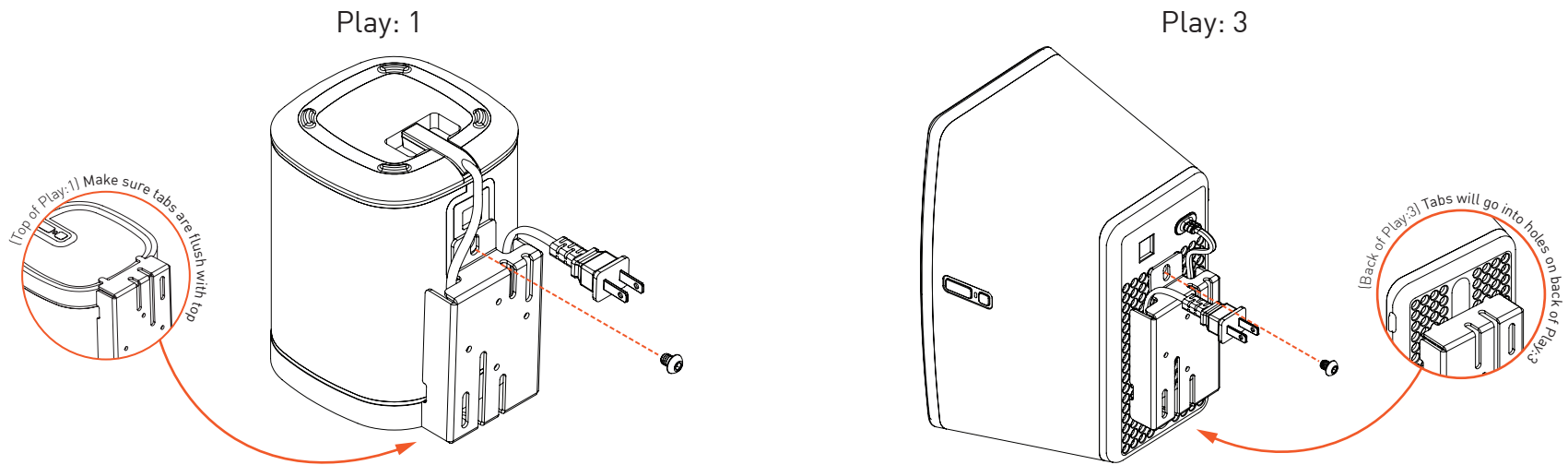
Coil power cord into the **TcFLEX-SOLO**. Leave ends of the cord out, making sure it can reach a power outlet and the speaker's power plug.

Fig. 2



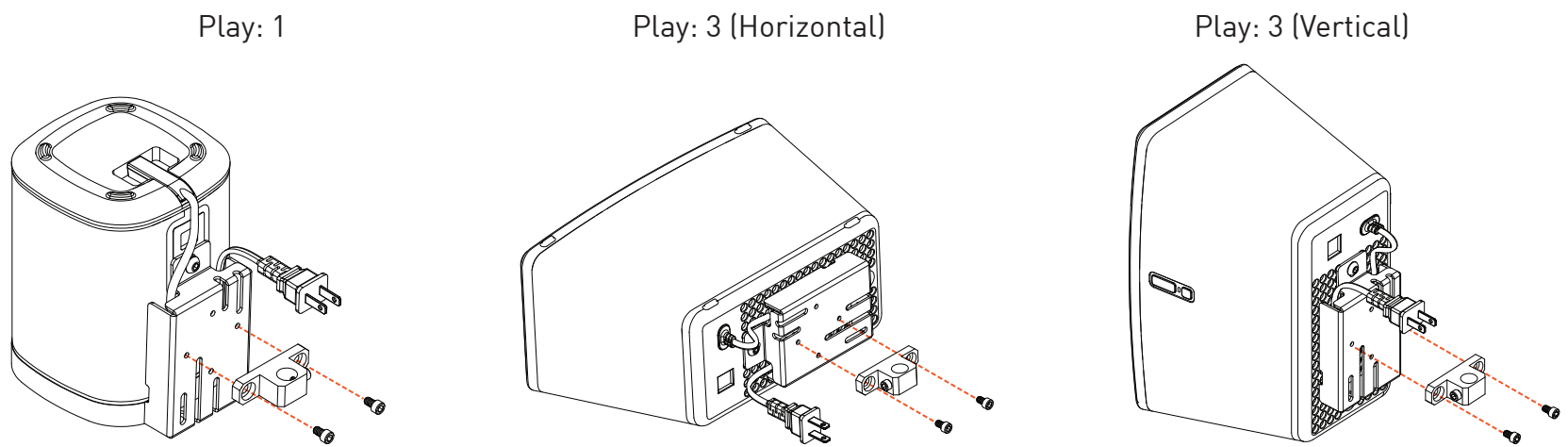
[Optional] Secure wires with a zip tie or wrap (not included)

Fig. 3



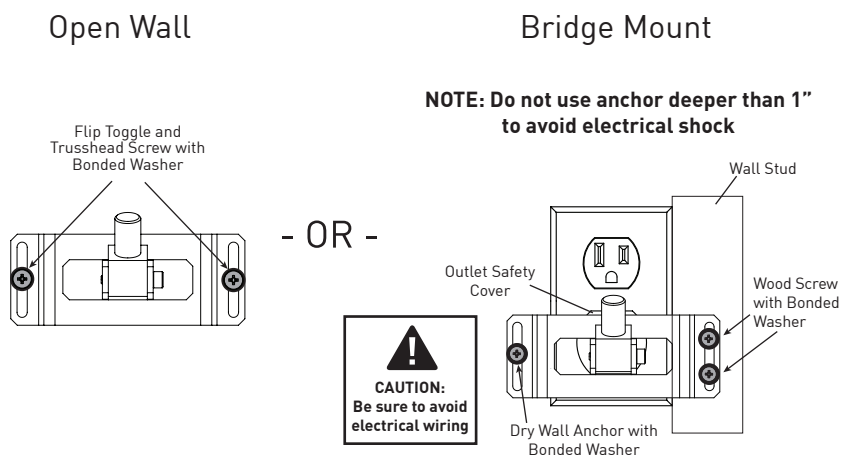
Position the **TcFLEX-SOLO** as shown. Secure the **TcFLEX-SOLO** to the speaker using the **SHORT BUTTON HEAD SCREW**, then plug the power cord into the speaker.

Fig. 4



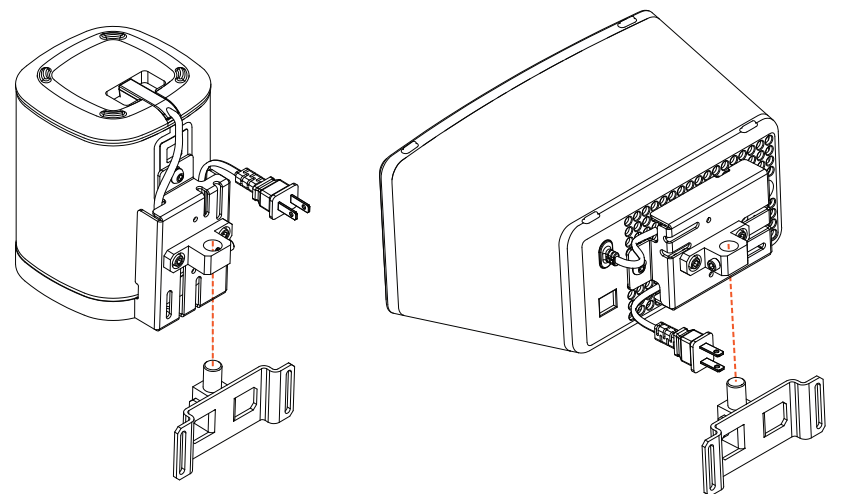
Fasten the **SWIVEL MOUNT** bracket to the **TcFLEX-SOLO** using two **SOCKET HEAD SCREWS**. The **SWIVEL MOUNT** can be oriented to mount the speaker vertically or horizontally. Make sure the speaker is upside-down so the buttons are still accessible when mounted.

Fig. 5



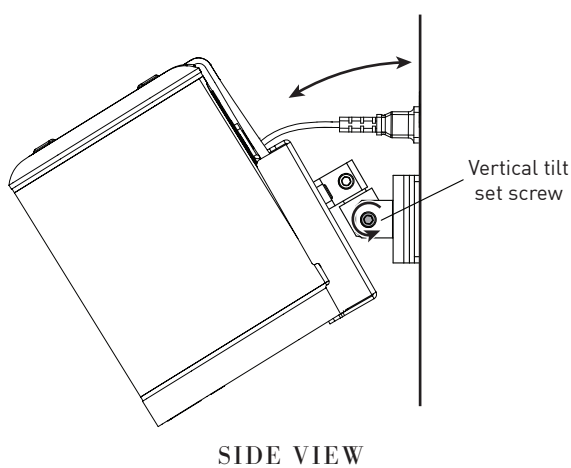
Use wall mount hardware as shown above for mounting **BRACKET PLATE** on either open wall or over an outlet. It is recommended to cover the unused outlet with an **OUTLET SAFETY COVER**.

Fig. 6



Mount to wall by placing **SWIVEL MOUNT** on **BRACKET PLATE**. Plug power cord into an outlet.

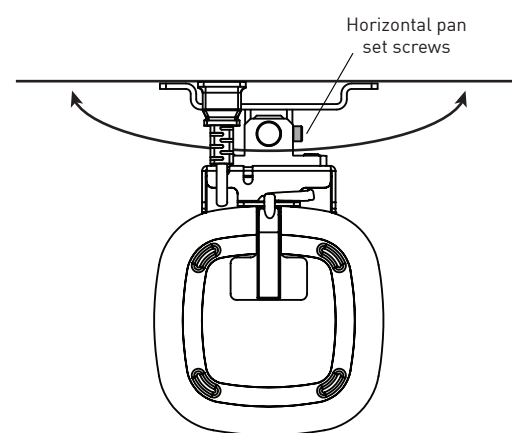
Fig. 7



SIDE VIEW

To adjust vertical tilt, loosen set screw on **BRACKET PLATE**

Fig. 8



TOP VIEW

To adjust horizontal tilt, loosen set screw on **SWIVEL MOUNT**. Make sure all screws are tight once speaker is in desired position.

FOR ASSISTANCE, CALL: 1.888.213.5015 | MON-FRI 8AM-6PM EST