



CENTRO™ 6451/6452
LIFT DESK

bdiusa.com
customerservice@bdiusa.com



OWNER'S MANUAL

Product Registration

Registering your new BDI product allows us to send you important product updates, service information and helpful hints related to your BDI products. Register today, and you will be entered to win free a BINK table from BDI: www.bdiusa.com/register

Placement and Maintenance


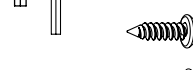


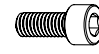
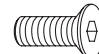



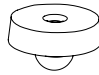

Centro Lift Desk is designed for indoor use on level floors. Clean glass with glass cleaner, and steel parts and wood veneer with a moist cloth.

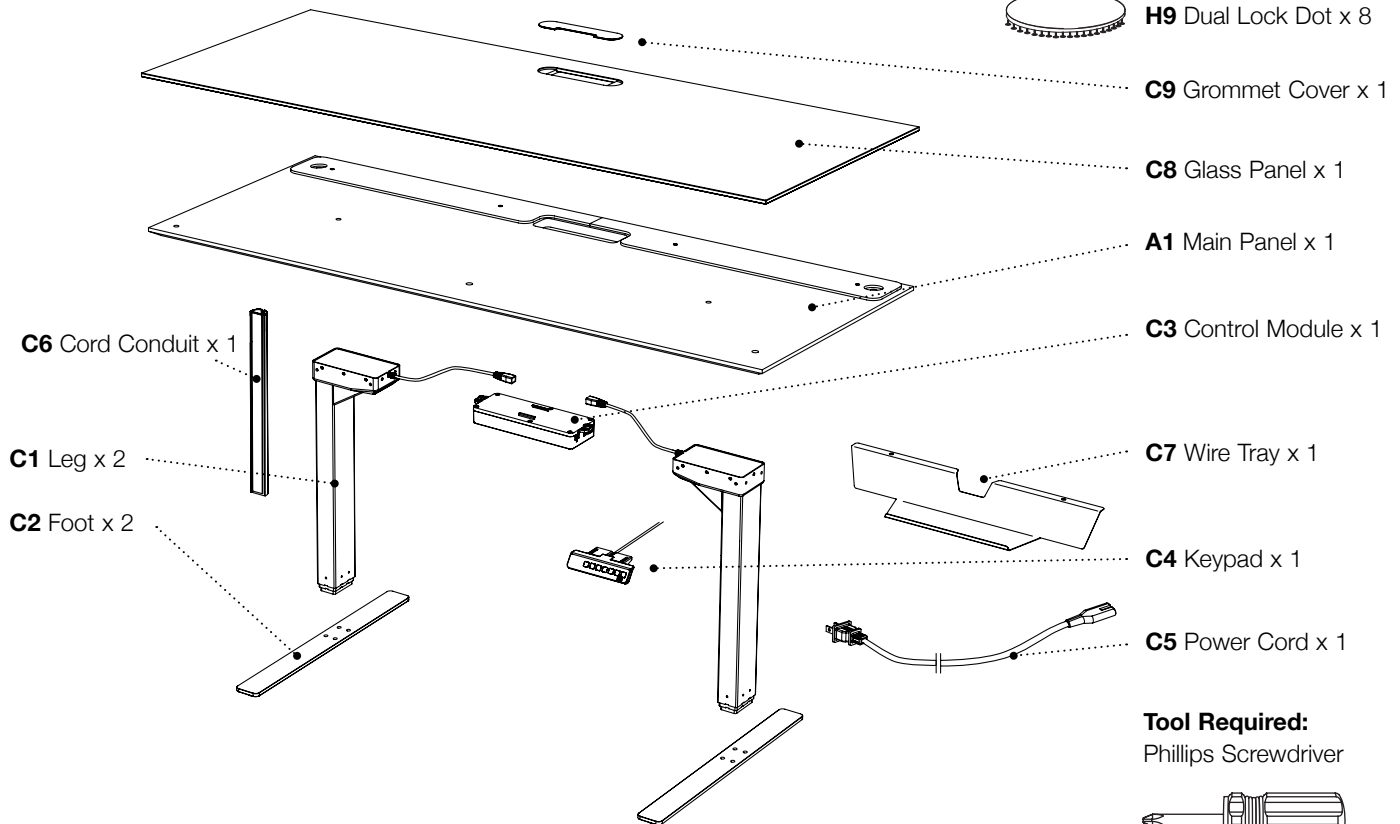
Your Centro Office furniture is engineered for easy assembly. Carefully follow this procedure to prevent any damage. Do not use power tools for assembly of this product.

Step 1

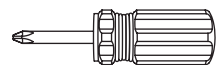
Unpack and identify the parts listed below. The assembly workspace should be a non-marring surface such as carpet. For missing hardware, please contact BDI Customer Service at customerservice@bdiusa.com.

For all other concerns, please contact your BDI retailer.

-  **T1** 5mm Hex Wrench
-  **T2** 4mm Hex Wrench
-  **H1** #10 Wood Screw x 4
-  **H2** #6 Wood Screw x 6
-  **H3** M6 x 12mm Screw x 12
-  **H4** M6 x 16mm Screw x 8
-  **H5** 1/4-20 x 12mm Screw x 7
-  **H6** Cord Clip x 6
-  **H7** Leveler x 4
-  **H8** Glass Bumper x 2
-  **H9** Dual Lock Dot x 8



Tool Required:
Phillips Screwdriver



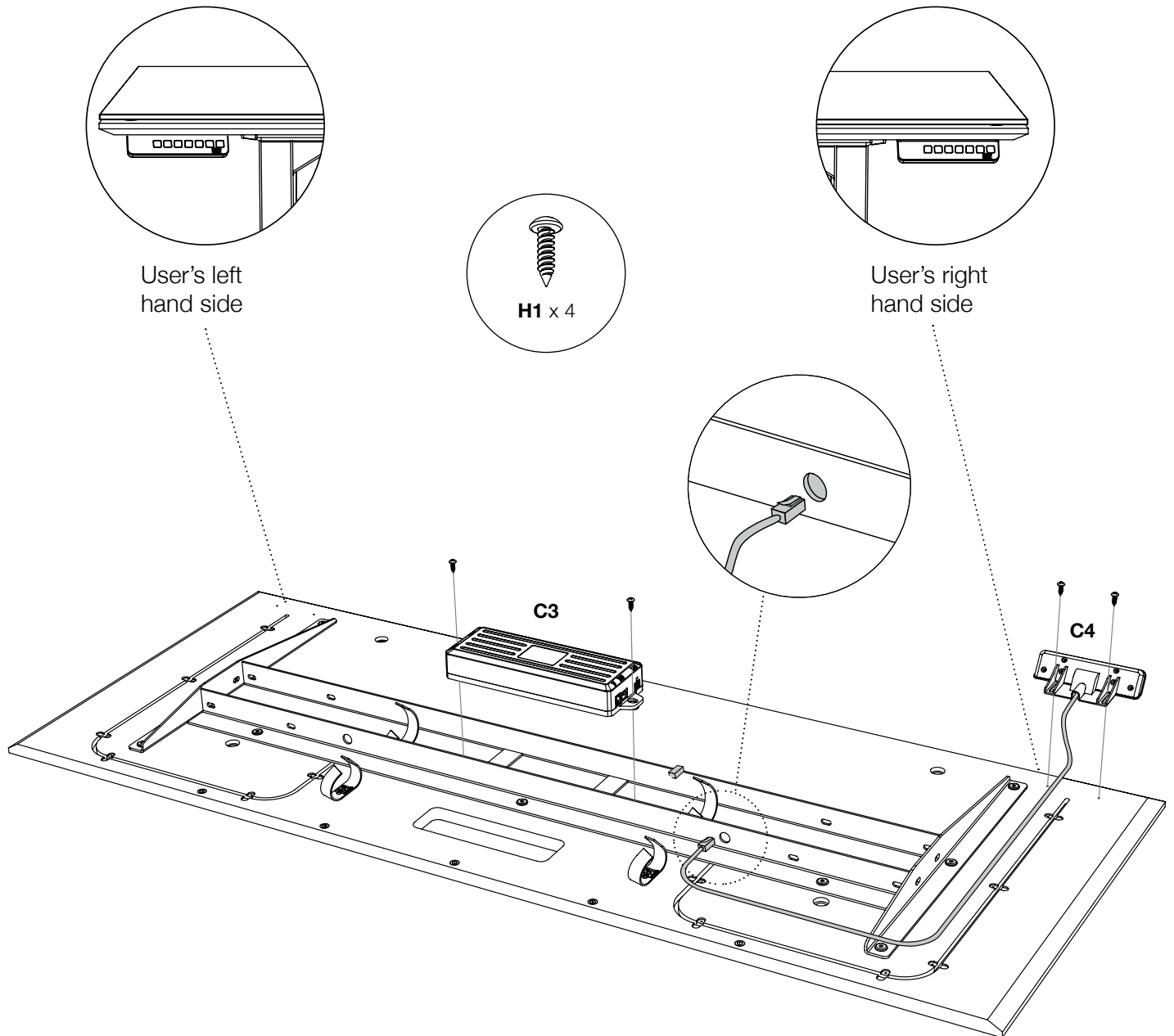
Designed by Matthew Weatherly.

These distinctive product configurations are protected by US and international patents, trade dress, and/or copyright laws. Centro & BDI are trademarks of Becker Designed, Inc. All rights reserved. ©2017, BDI

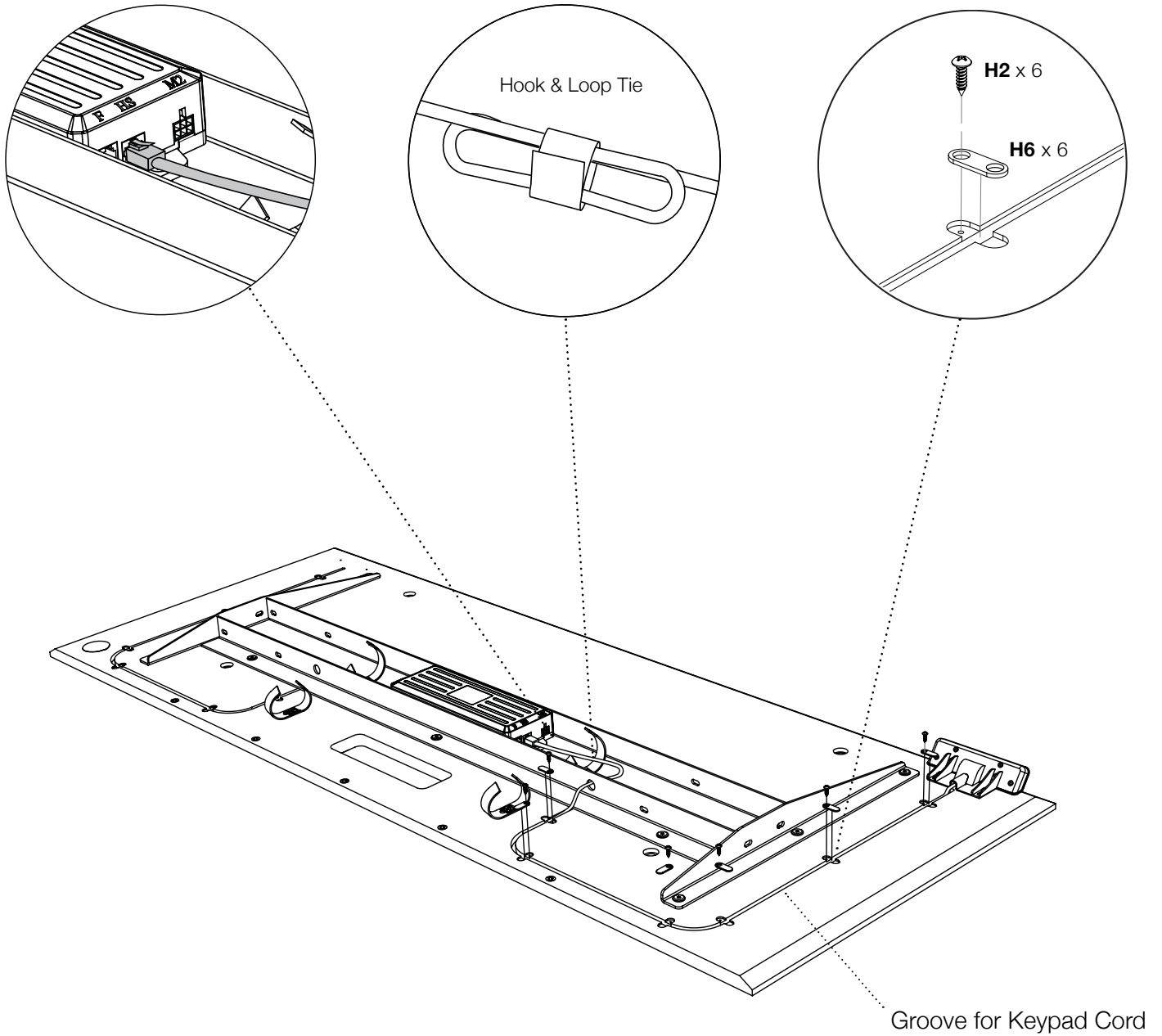
Made in Taiwan. 02.24.2017 v3

Step 2 - Install Control Module and Keypad

Lay top panel upside down on a soft surface (like carpet). Attach Keypad **C4** on the desired side (left or right) with 2 Wood Screws **H1**. Orient the Control Module **C3** so that the Keypad port is facing the Keypad side and secure between the 2 steel rails with 2 Wood Screws **H1** as shown. Route the Keypad cord into the groove in the panel and through the hole in the metal frame.

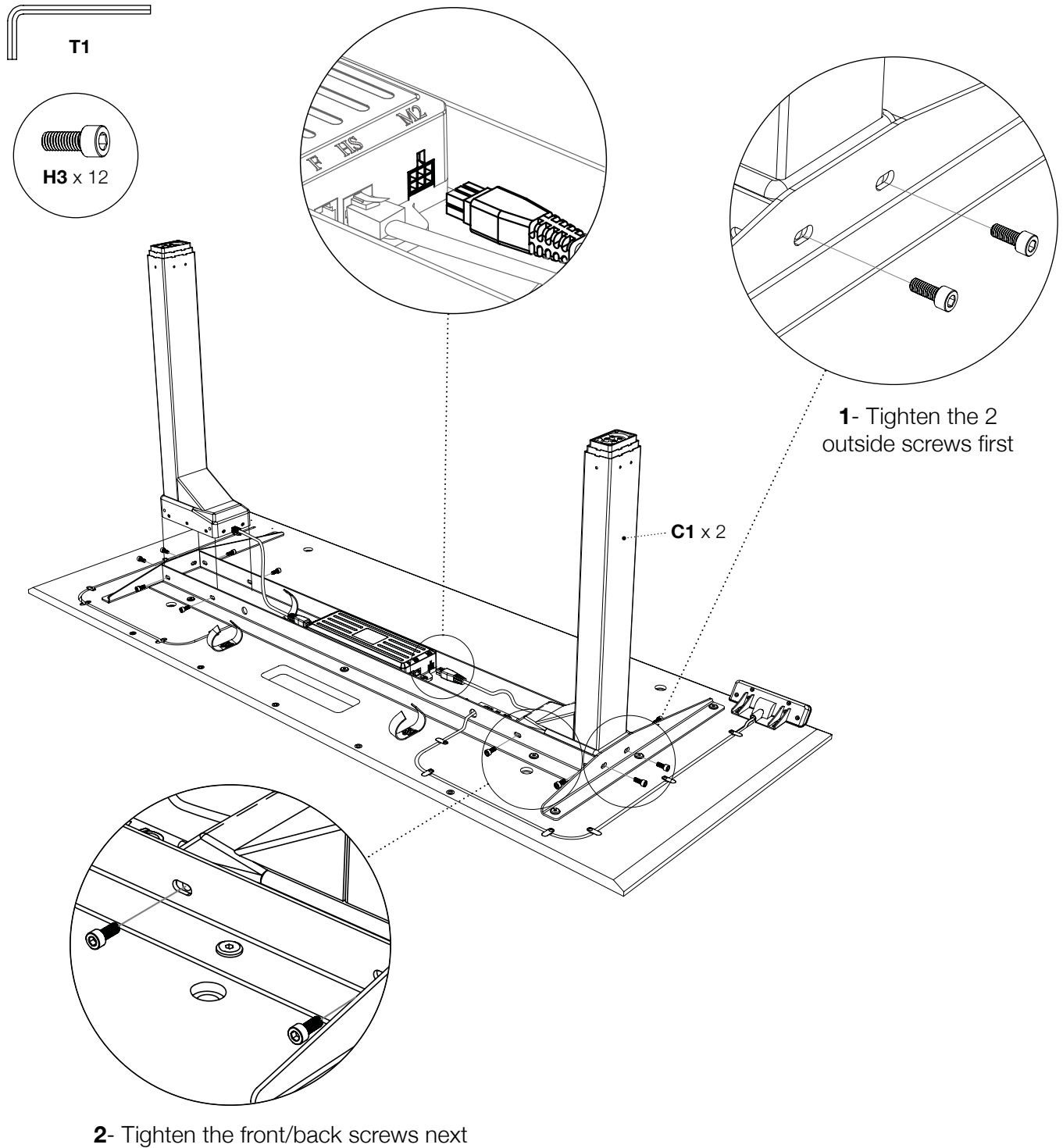


Step 3 - Secure the keypad cord into the groove using 6 cord clips **H6** and 6 wood screws **H2**. Connect keypad cord into the Control Module Port (labeled HS) and bundle the slack with the Hook & Loop Tie.

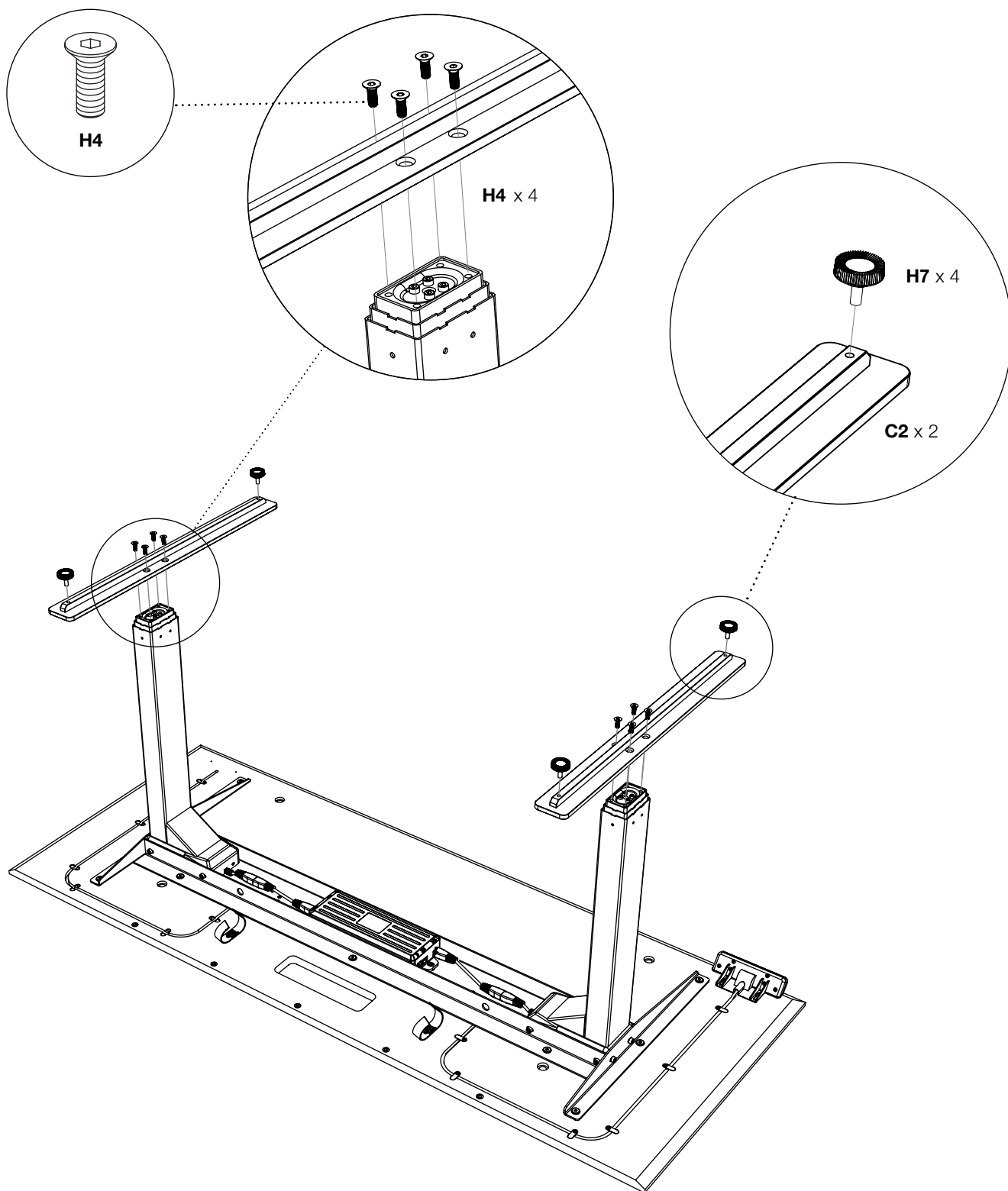


Step 4 - Attach 2 Legs **C1** with 6 Screws **H3** per Leg using Hex Wrench **T1**. Start all 6 screws before tightening them down. Tighten the 2 outside screws first, then tighten the other 4 screws.

Step 5 - Connect the leg cords to the closest port of the control module and bundle up any slack using the hook & loop tie.

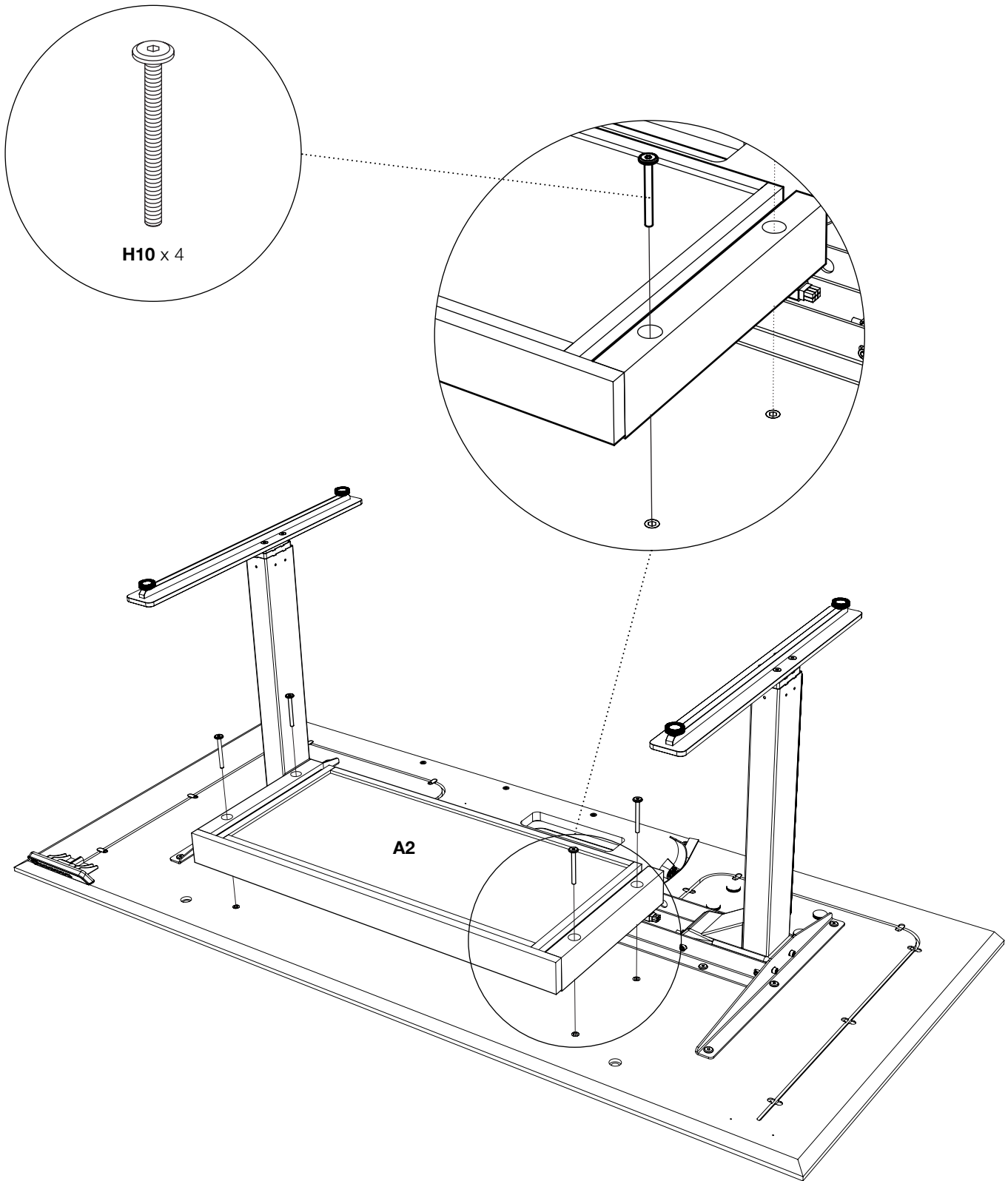


Step 6 - Attach each Foot **C2** with 4 Screws **H4** using Hex Wrench **T2**. The long end of the foot faces the front edge of the desk. Thread in Levelers **H7** into the bottom front and back corners of each foot.

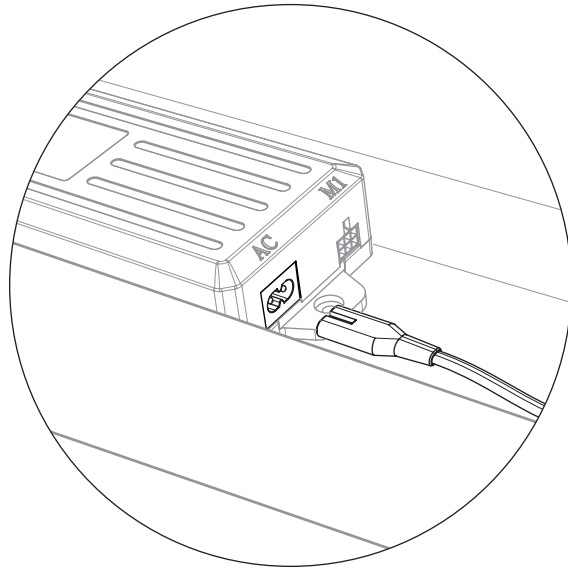


Optional Drawer Assembly for 6052

Attach the optional Drawer (for 6052) using 4 Screws **H10** that came with your drawer as shown.

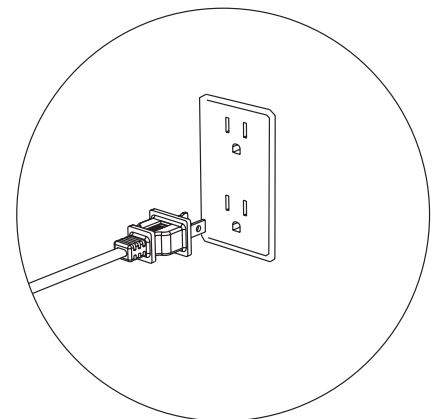
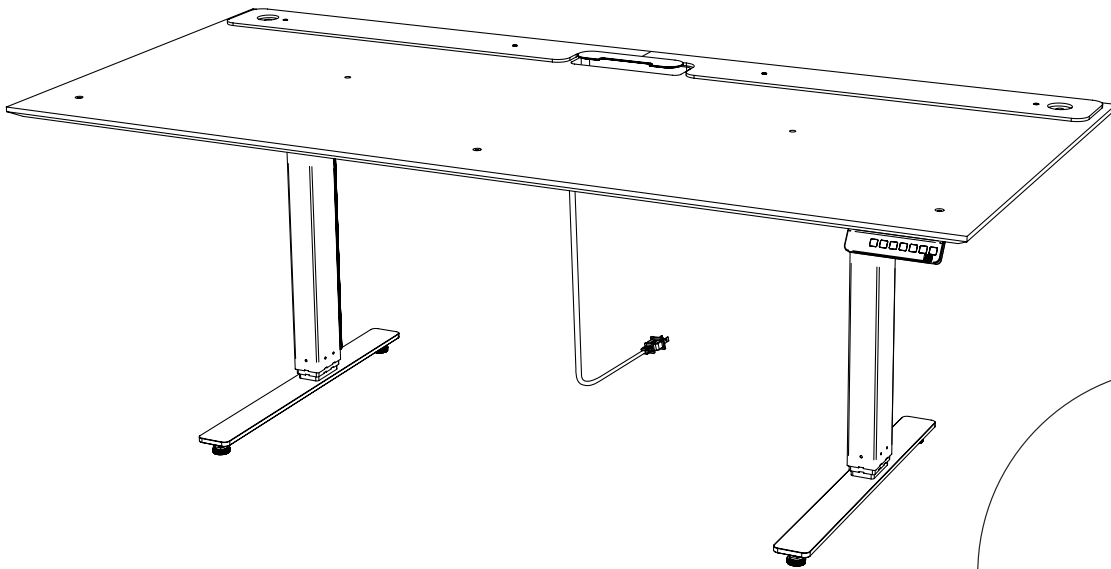


Step 7 - Plug the Power Cord **C5** into the power port on the Control Module **C3** (labeled AC).



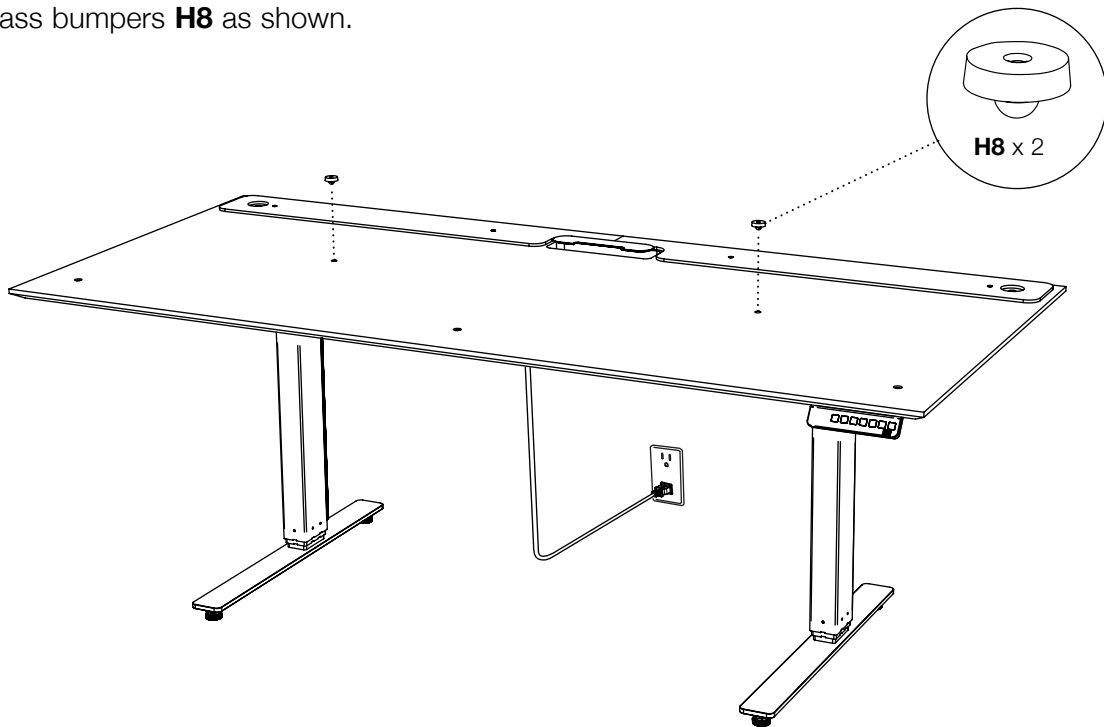
Step 8 - Turn the desk upright and plug it in to adjust the height

With the help of another person, carefully flip the desk on to its feet. Plug the other end of the Power Cord into the nearest wall socket. Refer to the **User Manual** on **Page 13** and follow the **Reset Procedure**. You may now adjust the height of your desk to make the remaining steps easier.



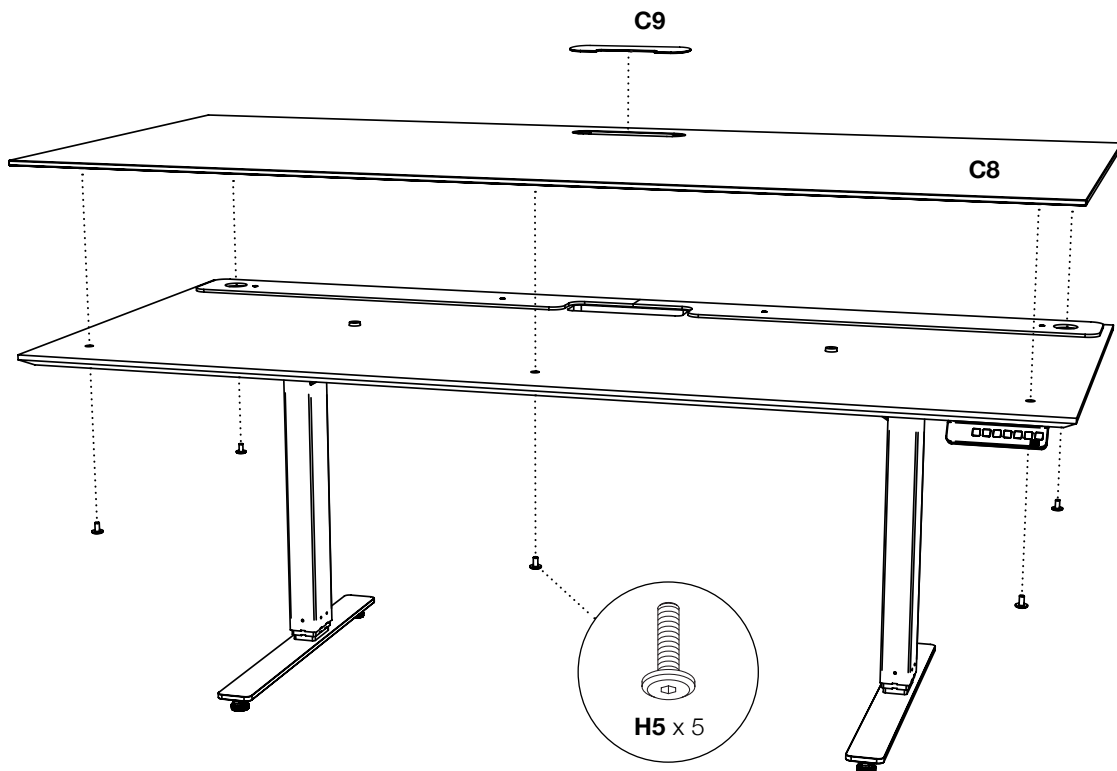
Step 9 - Install the glass bumpers.

Install the 2 glass bumpers **H8** as shown.



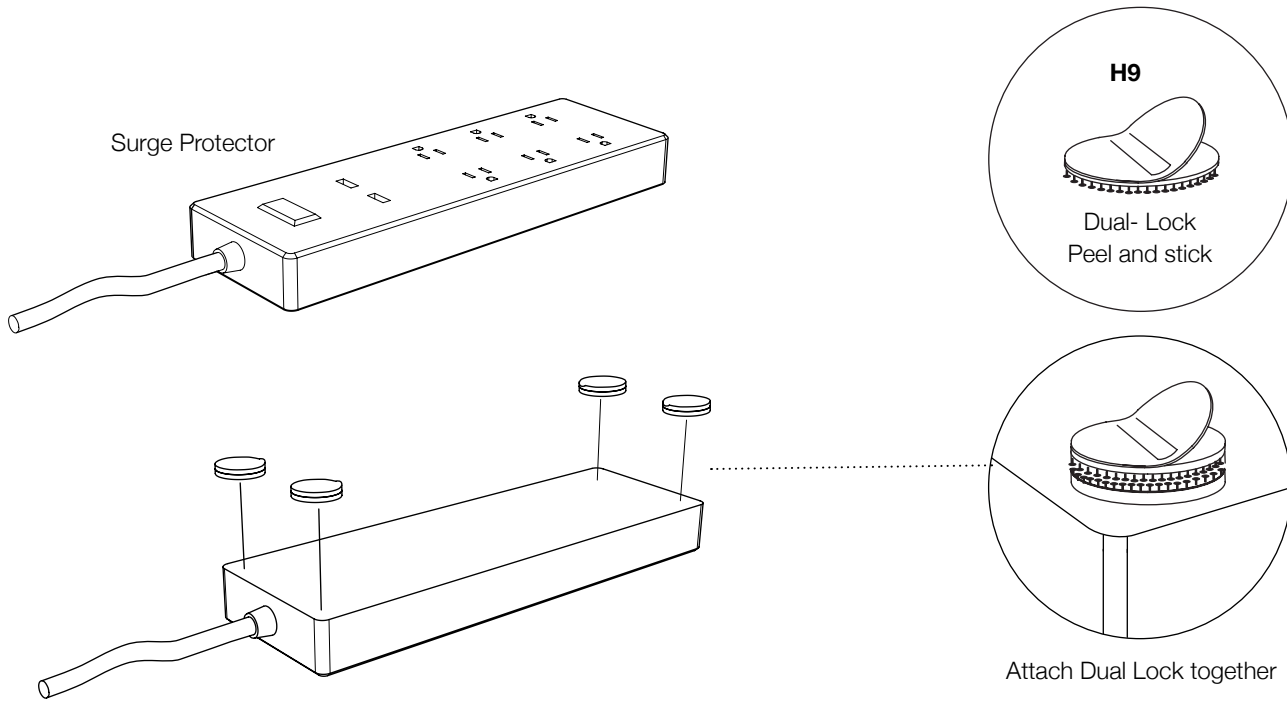
Step 10 - Install the glass panel.

With the help of another person, carefully place the Glass Panel **C8** on top of the desk top with the metal pucks facing down. The stem of the glass pucks should slip into 5 holes. Secure the glass panel in place from below using 5 Screws **H5**. Do not over tighten. Place Grommet Cover **C9** into the grommet hole.



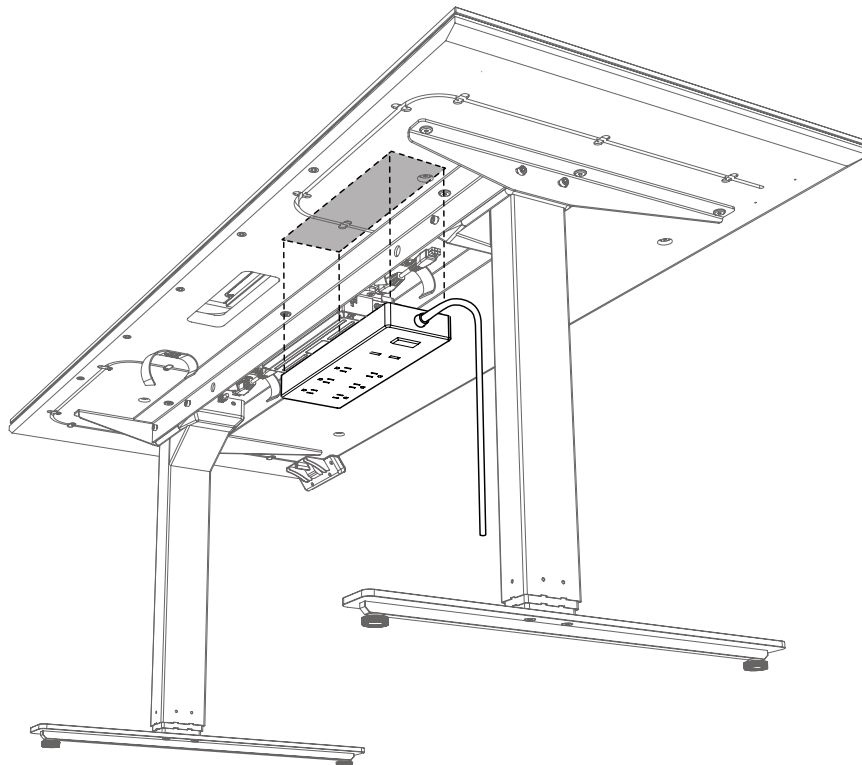
Attach dual lock fastener to the bottom of the surge protector (surge protector not included)

Secure 4 pairs of Dual-Lock Dots **H9** to the bottom corners of the surge protector.



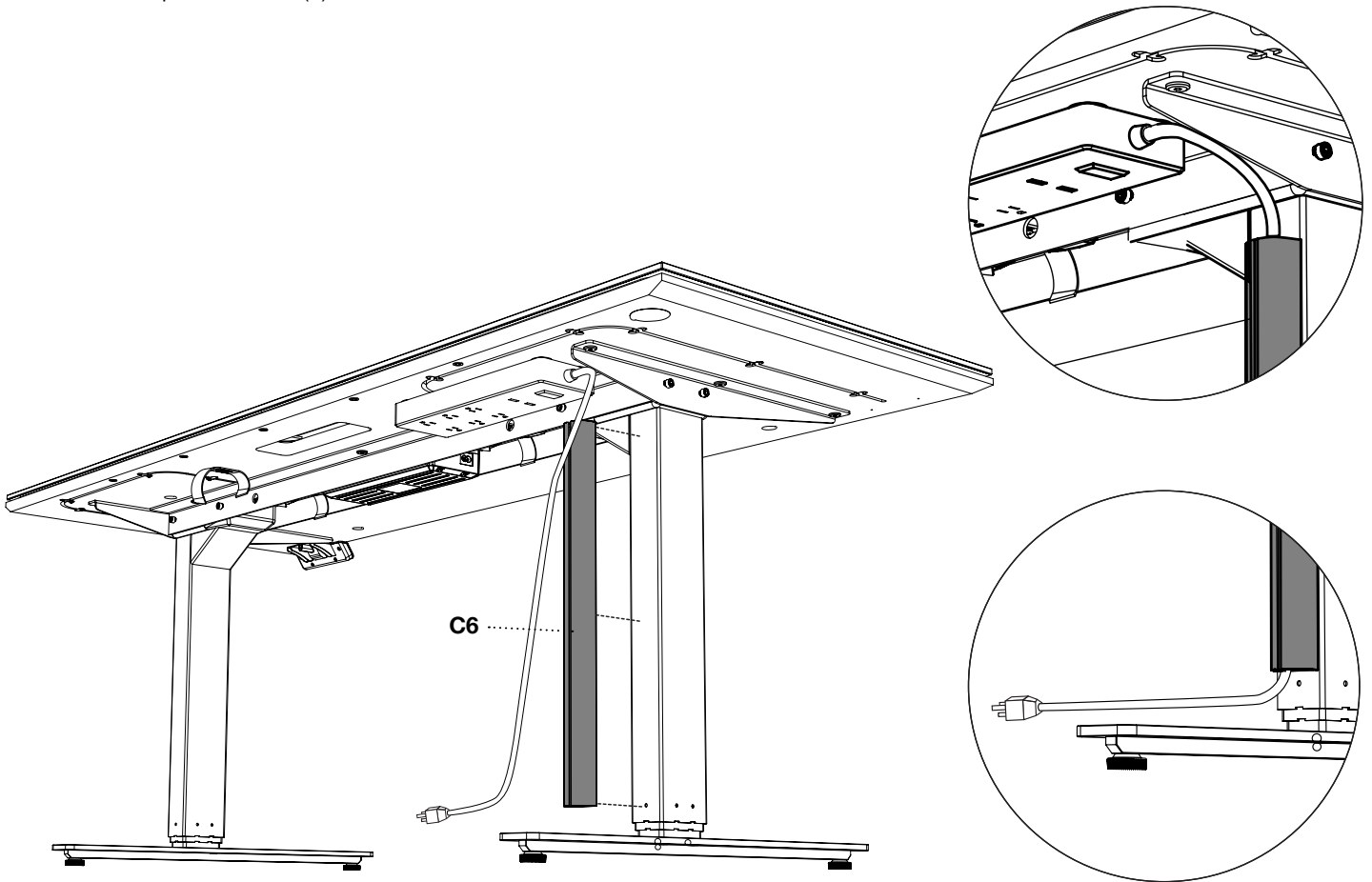
Attach the surge protector (not included)

For easy installation, raise the height of the desk. Determine where you prefer the surge protector to be mounted. We suggest just behind the metal rails towards the leg closest to your wall outlet. Make sure the area is dust free. Remove the adhesive film and attach the surge protector with the power cord facing the nearest leg. Press firmly to allow the pressure sensitive adhesive to set.



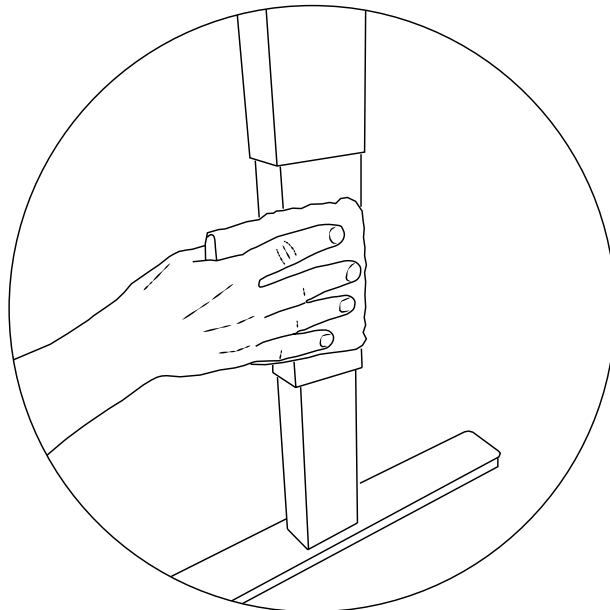
Attach the Cord Conduit (optional)

Remove adhesive film and attach the Cord Conduit **C6** to the back of the top section of the leg nearest the wall outlet. Insert power cord(s) into the Cord Conduit.



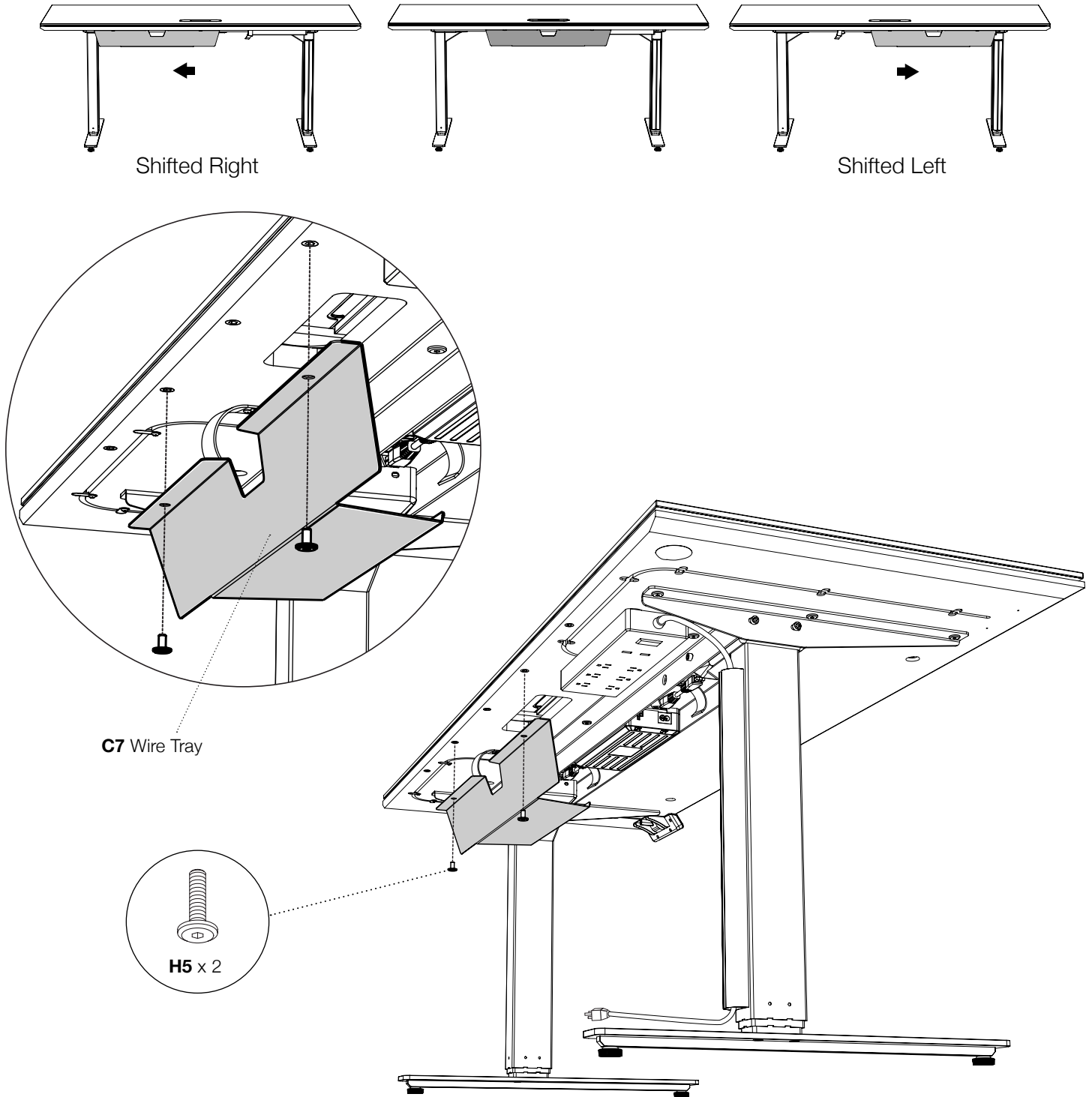
Remove excess lubricant from legs

When new, the legs may have excess lubricant. Extend the legs to their highest position and wipe off excess lubricant with a clean, dry cloth or rag.



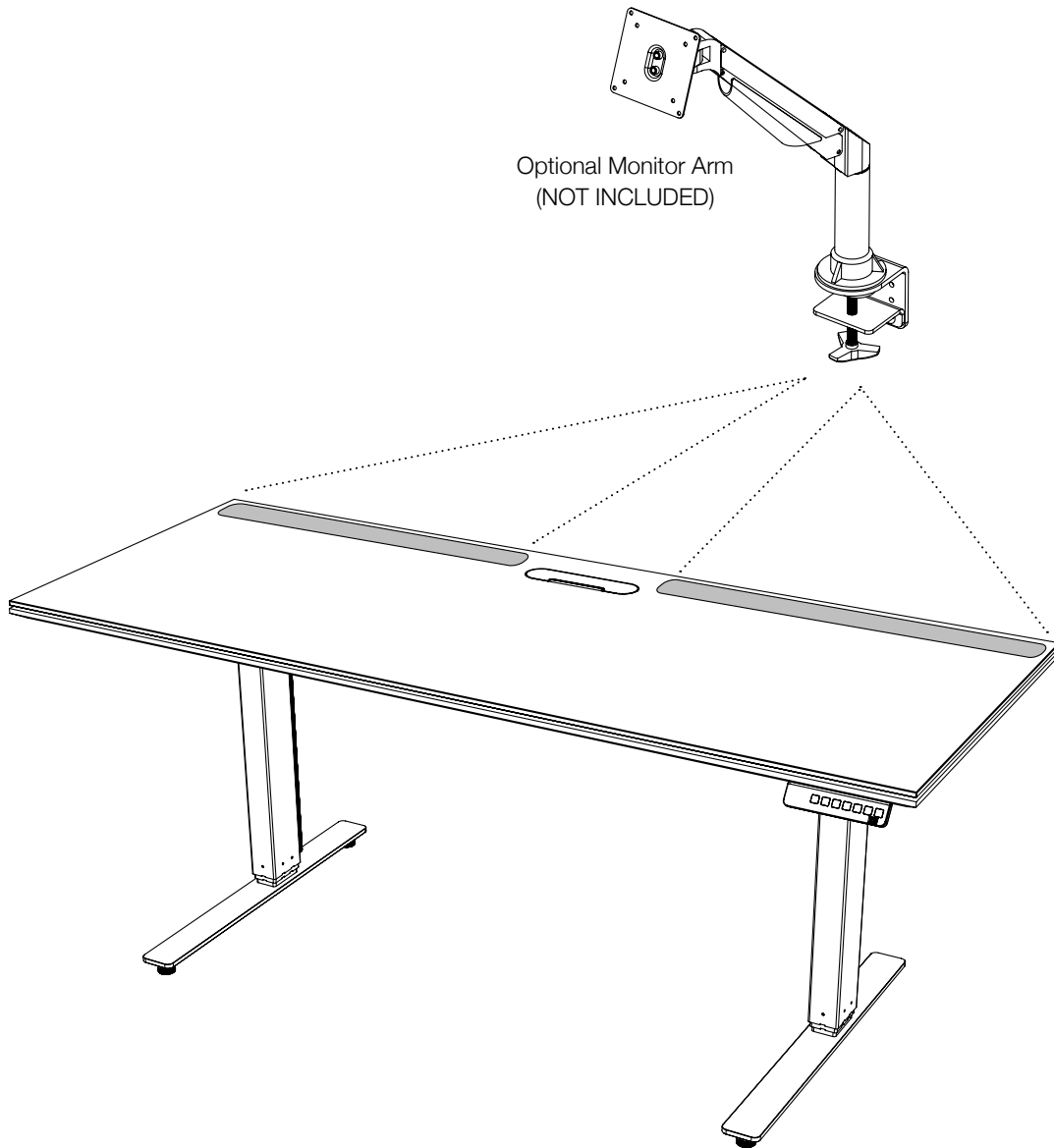
Attach the wire tray (optional)

Determine if you prefer the wire tray to be centered, shifted left or shifted right. If you plan to use a monitor arm, it might be better to shift the position of the Wire Tray to make the monitor arm attach more centrally. Attach the metal Wire Tray **C7** to the back edge of the bottom of the desk with 2 Screws **H5**.



Attach a monitor arm (not included)

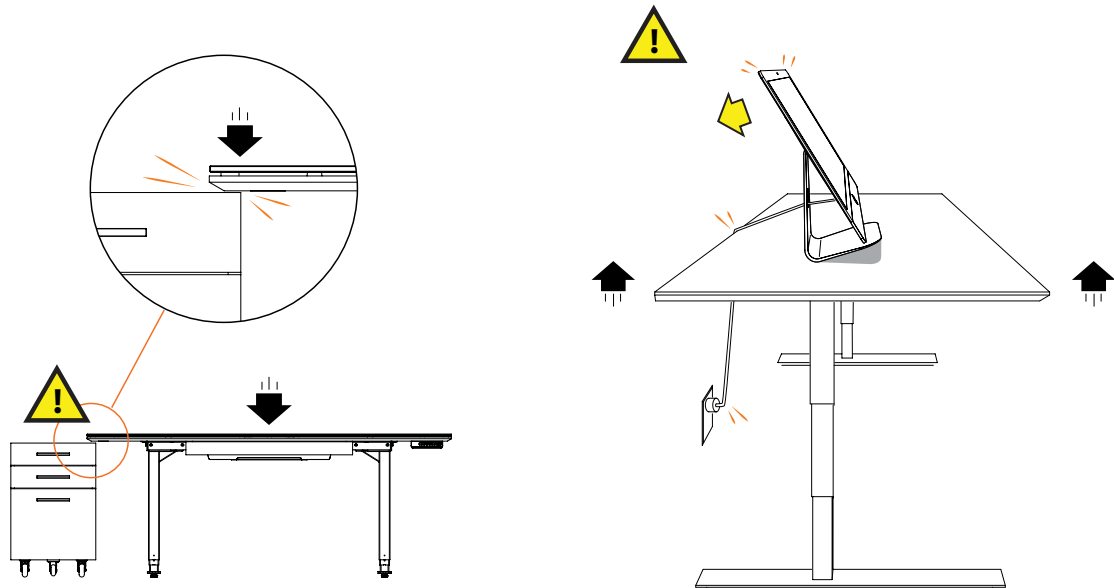
The Sequel Lift Desk is compatible with most third party monitor arms. Attach your monitor arm on either side of the grommet hole along the back edge (see gray area below), staying at least **1"** away from the grommet hole.



User Manual

Caution!


- Make sure there are no obstacles under or over the path of the desk.
- Make sure the desk top is not touching any walls.
- Make sure all the cords are long enough to reach lowest and highest desk positions.

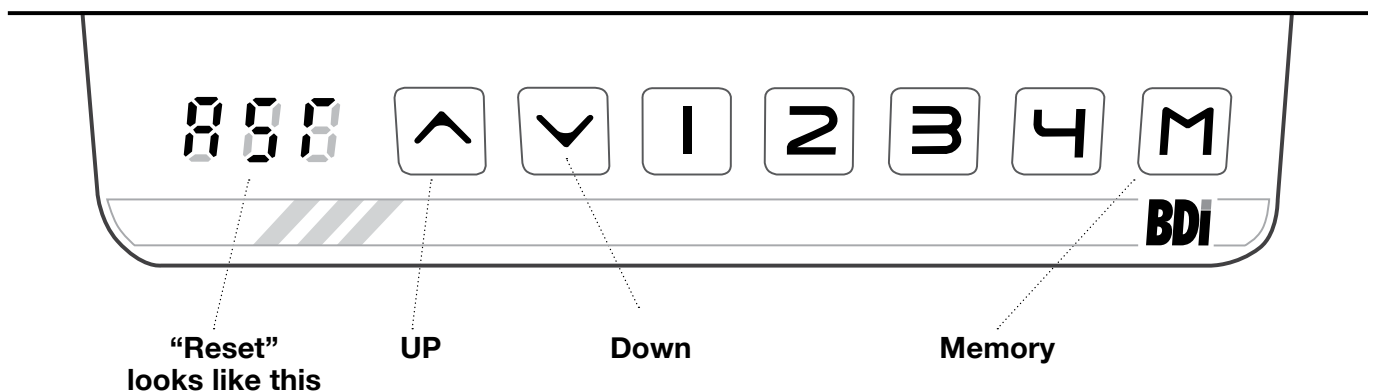


Important:

- You must reset the desk prior to use.

Reset Procedure:

1. Press and hold the DOWN button on the keypad until the desk reaches its lowest height.
2. Release the DOWN button.
3. Press and hold the DOWN button again until the LED sidplay reads "RST". 
4. Release the DOWN button.
5. Press and hold the DOWN button again until the desk lowers a little bit more, slightly rises and stops.
6. Release the DOWN button. Your desk is now ready for use.



Height Adjustment

The desk base can be adjusted by pressing and holding either the UP or DOWN button until the desired height is reached.

To program up to four presets, use the up/down buttons to find a desired height, then press “M” followed by a number 1-4.

Caution:

Once a preset button is pushed, the desk will move to the programmed height. To stop movement, press any button on the key pad.

Setting the Upper and Lower Limits

The base is designed to go to its minimum and maximum heights, allowing for the widest possible range. If you prefer to change the settings to a more narrow range, follow these steps:

Make sure the power is ON and a number reads in the LED display (if no number appears, please follow the **RESET** procedure on the previous page).

Note: You must set the lower limit first, then the upper limit.

To set the Lower-limit position:

Use the UP/DOWN buttons to move the base to the desired minimum height position. Press and hold the “M” button until the LED display flashes “S” once and let go of the button. Then press and release the “M” button 2 more times quickly. The LED display will change to “000” on the third push, and then automatically return to show the selected height. The new lower limit is now set.

To set the Upper-limit position:

Use the UP/DOWN buttons to move the base to the desired maximum height position. Press and hold the M button until the LED display flashes “S” once and let go of the button. Then press and release the “M” button 2 more times quickly. The LED display will change to “999” on the third push, and then automatically return to the selected height. The new upper limit is now set.

To remove the upper/lower limit positions:

Note: You can not remove the upper/lower limits until **both** the upper and the lower limits have been set.

Use the UP/Down button to move the desk to any new position (other than the lower or upper limit positions). Press and hold the “M” button until the LED display flashes “S” once and let go of the button. Then press and release the “M” button in succession until the display changes to “555” (ignore any interim readings). After a few seconds, the display automatically will change back to the numbered height position. The upper and lower limits are now removed.

After the upper and lower limits are set, the previous memory positions (1,2,3,4) may be outside the new range of movement. If so, simply reset the memory positions.

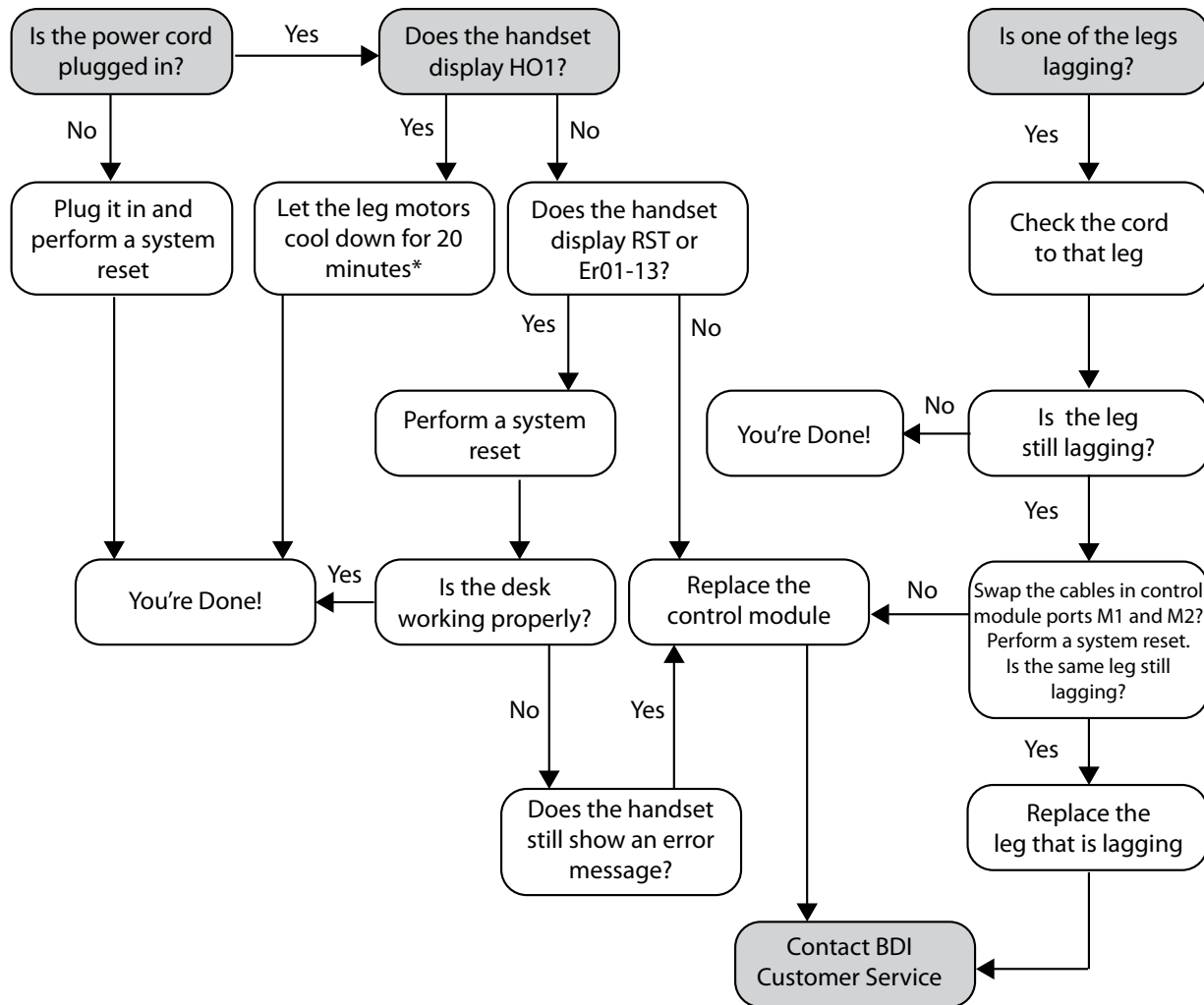
If you attempt to revise a previously set upper or lower limit and it is outside of the existing range, you will need to remove the previously set upper/lower limits first.

Technical Specifications

Height Range	24.75"–49.75" (63–126 cm)
Travel Speed	1.5" per second
Weight Capacity	150 lbs (68 kg)
Duty Cycle	10%, Max 2 minutes with 18 minutes off
Memory	4 position presets
Monitor Arm Compatible	Yes
Warranty	3-Year Limited Warranty

Trouble Shooting

If your desk is not functioning properly it may need to be reset. Follow the RESET procedure above. If your LED readout displays an error message Er1 confirm that all wired connections are secure. Then perform the reset procedure above.



* The desk has reached an automated cool down period due to overheating