



Swan
designed for life



Under Counter Cooler

Installation and User Guide

For model: **SR12030** (all colours)

Swan Service Help line

0333 220 6050





Table of Contents

3. Your Cooler

4-5. Important Safeguards

6-7. Installation Notes

7-8. First Time Use

8. Reversing the door

9. Cleaning & Maintenance

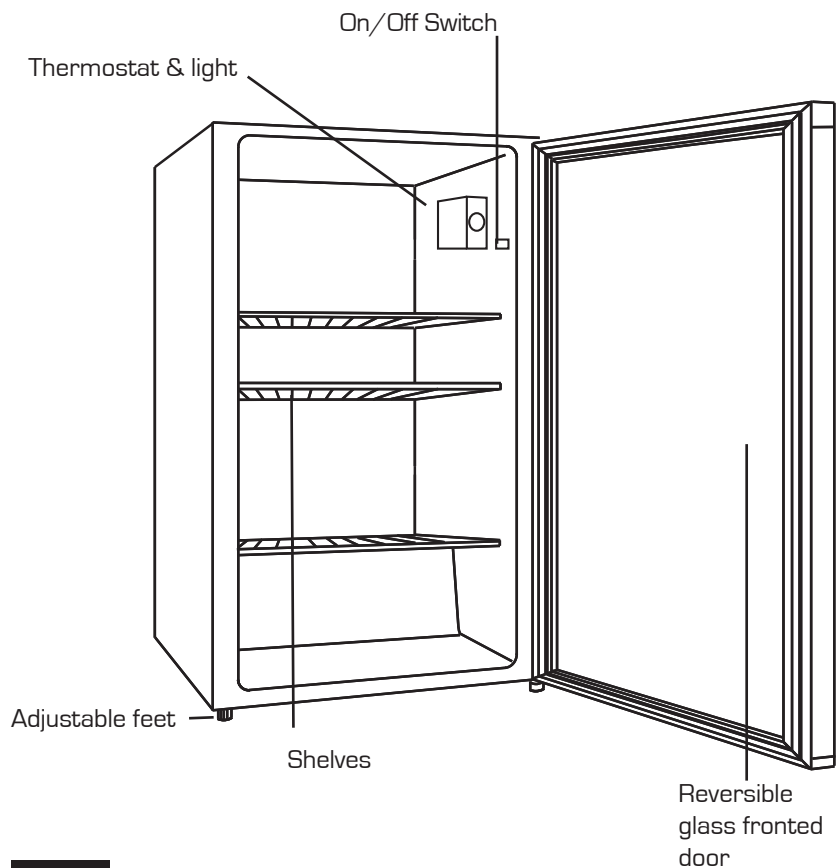
10. Troubleshooting

10. Service & Spares, Specification, BS Plug Wiring

11. WEEE Directive, Warranty



Your Cooler



Specifications

Volume: 80 Litres

Energy A+

Weight: 24kg

Refrigerant: R600a (20g)

Dimensions: 435x474x840mm

Power consumption: 0.65A

Voltage: 220-240V ~ 50/60Hz

Climate type: N

Net weight: 24kg





Important Safeguards

- Do not connect your appliance to the electricity supply until all packing and transit protectors have been removed.
 - Leave to stand upright for at least 4 hours before switching on to allow compressor oil to settle
 - This product must only be used for its intended purpose i.e the storing and freezing of edible foodstuff.
 - Do not dispose of the appliance on a fire. Your appliance contains non CFC/HFC natural substances in the cooling system and in the insulation, which are potentially flammable if exposed to fire. Therefore, take care not to damage, the cooling circuit or pipes of the appliance in transportation and in use. In case of damage do not expose the appliance to fire or potential ignition source and immediately ventilate the room where the appliance is situated.
 - See installation section for information on suitable location.
 - On delivery, check to make sure that the product is not damaged and that all the parts and accessories are in perfect condition.
 - Ensure that the plug remains readily accessible. Do not use multiple adaptor or extension cables.
 - Failure to observe these instructions may invalidate your right to free service during the guarantee period.
 - Keep ventilation openings, in the appliance enclosure or in the built-in structure, clear of obstruction.
- WARNING:** Keep ventilation openings, in the appliance enclosure or in the built-in structure, clear of obstruction. Do not use mechanical devices or other means to accelerate the defrosting process, other than those recommended by the manufacturer.
- GAS WARNING CAUTION RISK OF FIRE:** Due to the flammable refrigerant (R600a) and/or the flammable insulation blowing gas used, this gas is natural gas with high environmental compatibility



Important Safeguards

that is, however, also combustible. When transporting and installing the appliance, care should be taken to ensure that no parts of the refrigerating circuit are damaged.

Refrigerant and/or insulation blowing gas squirting/leaking out of the pipes or body of appliance could ignite or cause an eye injury. If leak is detected, avoid any naked flames or potential sources of ignition and air the room in which the appliance is standing for several minutes. Servicing and repair of R600a refrigerant shall be done by qualified service technicians. Do not damage the refrigerant circuit.

WARNING: Do not use electrical appliances inside the food storage compartments of the appliance, unless they are of the type recommended by the manufacturer.

- We suggest you keep these instructions in a safe place for easy reference.
- This appliance can be used by children aged from 8 years and above if they have

been given supervision or instruction concerning use of the appliance in a safe way and if they understand the hazards involved. Cleaning and user maintenance shall not be made by children unless they are older than 8 and supervised. Keep the appliance and its cord out of reach of children aged less than 8 years.

- If the supply cord is damaged, it must be replaced by the manufacturer, its service agent or similarly qualified persons in order to avoid a hazard.

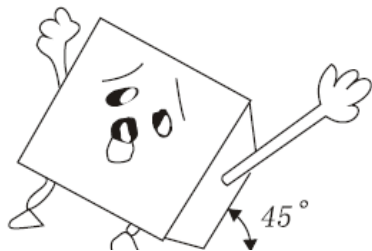
CAUTION: In order to avoid a hazard due to inadvertent resetting of the thermal cutout, this appliance must not be supplied through an external switching device, such as a timer, or connected to a circuit that is regularly switched on and off by the utility company

This appliance should only be connected to an earthed, switched mains socket. Do not use an extension cord with this appliance

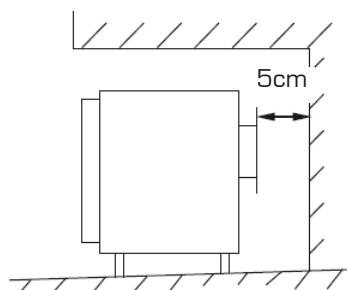
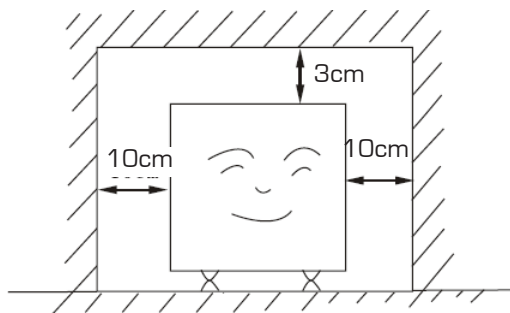


Installation Notes

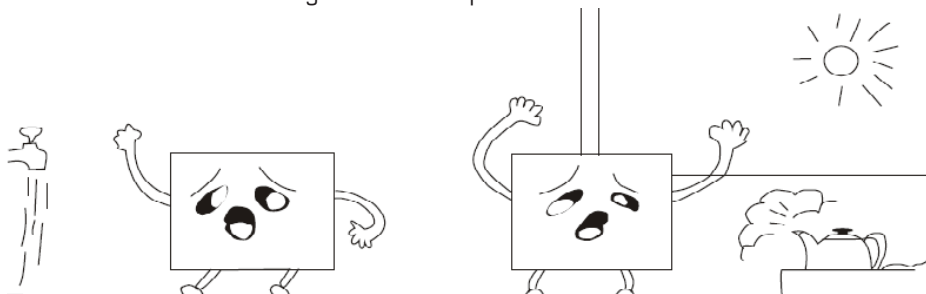
It is important that upon receipt you stand your appliance upright for at least 1 hour before switching on to allow the system to settle.



1. The appliance should not be tilted more than 45 degrees when you move it. Do not use force on any part such as the condenser, the door or handle. They could distort and affect the operation of the cooler. Ensure ALL packaging is removed before installation



2. Make sure there is enough ventilation space around cooler

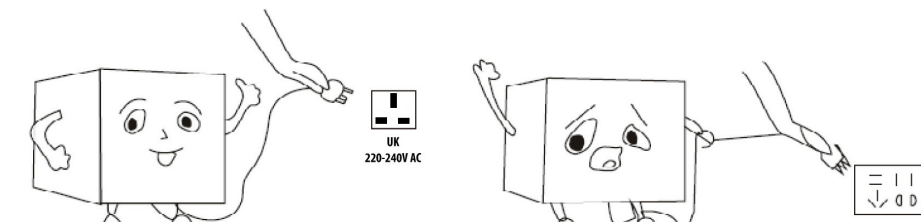


3. The appliance should not be installed near external heat sources eg direct sunshine - or external moisture sources.





Installation Notes



4. Ensure the supply voltage of socket is same as rating label.
5. The plug must be properly inserted to the wall socket.
6. **The mains supply socket must be earthed - preferably with a switch. If it is not earthed, do NOT install this appliance there. Do not use an extension cord**
7. The product is equipped with adjustable feet. Once the product is in place, adjust these to ensure the cooler is level and doesn't rock.

DO NOT SITE THE PRODUCT WHERE THE AMBIENT TEMPERATURE IS LIKELY TO DROP BELOW 5 DEGREES CENTIGRADE - EG: GARAGE OR SHED



First Time Use

1. It is important that upon receipt you stand your appliance upright for at least 1 hour before switching on to allow the system to settle. Remove all packaging & any transit tapes
2. Clean the inside of the cabinet with a soft, dry cloth prior to switching on
3. When using the product for the first time, set the thermostat inside to MAX without any bottles inside. When the appliance starts, you will hear the quiet hum of the compressor. You may also hear the circulation of liquids and gases in the refrigeration system. This is normal on first start up. Generally it will take up to 1 hour for the appliance to reach temperature. Once temperature has been reached then put the drinks inside.
4. The temperature of the cooler can be adjusted by rotating the disc of the thermostat. The higher the value on the setting of the thermostat, the maximum value of refrigeration (coldest being 5). Typically a medium setting of 3 is best for most circumstances. Temperature range in the cooler is typically 5 - 12 C depending on thermostat setting.
5. Do not put too much foodstuff in the cooler. Avoid opening the door too frequently as this will waste energy.



Reversing the door

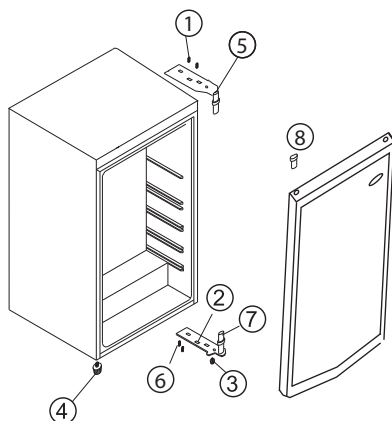


FIGURE 1

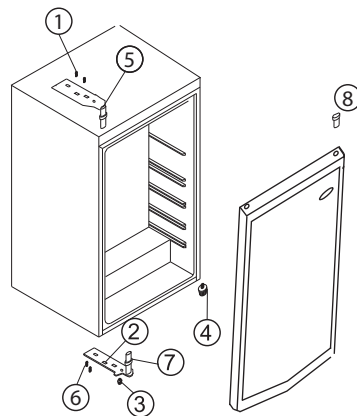


FIGURE 2

This cooler has the capability of either opening the door from the left or right side. The unit is delivered to you with the door opening from the left side. Should you desire to reverse the opening direction, please follow these instructions.

NOTE: All parts removed must be saved should you wish to restore the door to original orientation.

1. Remove the two screws (1) that hold the upper hinge (5) (right side) to the frame. Take away the upper hinge (5).
2. Lift the door and place it on a padded surface to prevent scratching it. (8)
3. Remove the two screws (6) that hold the lower hinge (2) and make sure to remove the lower hinge (2).
4. Remove the left front leg (4) and transfer it to the right side.
5. Before placing this lower hinge (2), remove the bolt-pin (5) and reverse the direction of the lower hinge (2). Then install the lower hinge (2) onto the left side of the lower frame with two screws (6).
6. Insert the bolt-pin (5) to the lower hinge (2).
7. Set the door to its place making sure the door seats at the lower hinge (2).
8. While holding the door in the closed position, secure the upper hinge (5) in the top frame of the left side with two screws (1). Please note: do not tighten the two screws (1) until the top of the door is leveled with the counter top.



Cleaning & Maintenance

DAILY CLEANING

The outside of your cooler can be cleaned using a soft cloth moistened with a mild detergent solution. Wipe dry with kitchen towel.

Do not use chemical or abrasive cleaners on any part of your cooler as these could permanently damage or discolour the surfaces.

DOOR SEALS

Ensure that the door seals are kept free from debris at all times. If they don't seal properly this can waste energy.

CLEANING INSIDE

From time to time it may be necessary to clean the inside of the cooler (eg after a spill)

1. Switch off the cooler and remove plug from wall socket
2. Remove drinks and shelves
3. Clean the inside with a soft cloth moistened with a mild detergent solution. Dry thoroughly with kitchen towel before replacing the shelves, drinks and switching the unit back on.
4. Do not use abrasive or chemical cleaners on any part of the the cooler at any time.

CONDENSATION

Depending on the environment, you may notice a little condensation on the outside of the glass door. This is normal and can be wiped away with a dry cloth or piece of kitchen towel.



BS Plug Wiring

The wires in the mains lead are coloured in accordance with the following code:

BLUE	NEUTRAL
BROWN	LIVE
GREEN/YELLOW	EARTH

As the colours of the wire in the mains lead of this appliance may not correspond with the colour markings identifying the terminals on your plug, proceed as follows:

The wire which is coloured BLUE must be connected to the terminal which is marked with the letter N or coloured black. The wire which is coloured BROWN must be connected to the terminal which is marked with the letter L or coloured red. The wire which is coloured GREEN/YELLOW must be connected to the terminal which is marked with the letter E or (earth symbol) and is coloured GREEN or GREEN/YELLOW.

WARNING: THIS APPLIANCE MUST BE EARTHED



Troubleshooting

1. If the cooler does not run:

Check the supply voltage is available at the socket and check that the power plug is correctly connected. Check that the power switch near the thermostat/light unit is switched ON.

2. If the cooler does not become cold enough:

- a. is the thermostat is set properly?
- b. is there enough space around the cooler?
- c. is the door is opened too frequently or not closed properly? (check seals).
- d. is there direct sun shine on the appliance or are there heat sources nearby?
- e. is there too much foodstuff inside the compartment? (Do not put hot liquids in the cooler)
- f. is there dust and debris built up on cooling matrix or compressor?

3. If the cooler operates noisily:

- a. Check that the appliance is installed on a stable, level floor. Adjust the feet if necessary. Is the cooler too near the wall?
- b. The food stored in the cooler is not touching - particularly applies to glass containers. The cooler creates very slight vibrations, which can be amplified greatly with touching glass containers!

Note:

During high relative humidity environment, condensation may occur on the surface of the cooler. This is not a malfunction. Simply clean the surface of condensation.

If the cooler is not working properly after all these checks, contact the service centre without further delay.



Service and Spares

If you experience any problems at all with your product or require spare parts, expert help is just a phone call away!

0333 220 6050

You will need to quote the model and serial number of your appliance. This is printed on the service label just inside the door.





WEEE Directive



Disposal of Unit

Disposal instructions for Swan items in accordance with the WEEE directive. Appliances bearing the symbol shown here may not be disposed of in domestic rubbish. You are required to dispose of old electrical and electronic appliances like this separately. Please visit www.recyclenow.co.uk, or www.recyclenow.co.uk for access to information about the recycling of electrical items. The WEEE directive, introduced in August 2006, states that all electrical items must be recycled, rather than taken to landfill. Please arrange to take this appliance to your local Civic Amenity site for recycling, once it has reached the end of its life.



Warranty

This product is guaranteed for one year from the date of original purchase. If any defect arises due to faulty materials or workmanship the faulty product will be repaired, refunded or replaced at our discretion.

The following conditions apply:

The product must have been purchased from new. Proof of purchase will be required. The product must be installed and used in accordance with the instructions contained in this instruction guide. It must be used only for household and similar purposes such as:

- staff kitchen areas in shops, offices and other working environments;
- farm houses and by clients in hotels, motels and other residential type environments;
- bed and breakfast type environments;
- catering and similar non-retail applications.

The appliance has not been altered, serviced, dismantled or otherwise interfered with by any person not authorised by Swan.

Any repair work must be undertaken by us or our appointed agent.

Any parts removed during repair work or any appliance that is replaced becomes our property. It does not cover wear and tear, damage, misuse or consumable parts. Swan Products Ltd has no liability for incidental or consequential loss or damage. Food value is NOT covered by the warranty.

This guarantee is valid in the UK and Eire Only.



www.swan-brand.co.uk



Scan this QR code
to hear about
our story



We love
what we do



we're proud
of our quality



Find us on Facebook

Copyright © 2012
Swan Products Ltd. PO Box 3117, Stoke-on-Trent ST4 9GD

* on selected lines

