



**Swan**  
designed for life



# Microwave Oven

## User Guide

For model: **SM3080** (all colours)

Service & spares call:

**01733 404703**



# IMPORTANT SAFEGUARDS

The following basic precautions should always be followed when using electrical appliances:

1. Read all instructions before using .
2. Make sure the voltage in your living area corresponds to the one shown on the rating label of the appliance . And the wall socket is properly earthed.
3. To reduce the risk of fire in the oven cavity :
  - Do not overcook the food .
  - Remove wire twist -ties from paper or plastic bags before placing bags in the oven .
  - Do not heat oil or fat for deep drying as the temperature of oil cannot be controlled .
  - After use wipe the waveguide cover with a damp cloth, followed by dry cloth to remove any food splashes and grease. Built -up grease may overheat and begin to cause smoke or catch fire .
  - If materials inside the oven should smoke or ignite , keep oven door closed, turn oven off and disconnect the power supply.
  - Close supervision is necessary when using disposable containers made from plastic, paper or other combustible material .
4. To reduce the risk of explosion and sudden boiling:
  - Do not place sealed containers in the oven . Baby bottles fitted with a screw cap or teat are considered to be sealed containers .
  - When boiling liquid in the oven, use a wide-mouthed container and stand about 20 seconds at the end of cooking to avoid delayed eruption boiling of liquids .
  - Potatoes, sausage and chestnuts should be peeled or pierced before cooking. Eggs in their shell, whole hard-boiled eggs should not be heated in microwave ovens since they may explode, even after microwave heating has ended.
  - The cooked liquid should not be removed immediately. Wait several moments before removing in order to avoid possible hazards caused by delayed eruption boiling of liquids.
  - The contents of feeding bottles and baby food jars should be stirred or shaken and the temperature should be checked before consumption, in order to avoid burns .
5. Don't operate the oven further if the door or door seal is damaged, or if the oven is malfunctioning, or supply cord is damaged . Return the appliance to the nearest authorised service center for repair and maintenance . Never try to adjust or repair the oven yourself .
6. If the supply cord is damaged, it must be replaced by the manufacturer or its service agent or a qualified technician in order to avoid a shock hazard .
7. After cooking, the container could be very hot . Use gloves to take out the food and avoid steam burns by directing steam away from the face and hands .
8. Slowly lift the furthest edges of dish cover and microwave plastic wraps and carefully open popcorn and oven cooking bags away from the face.
9. To prevent the turntable from breaking:
  - Let the turntable cool down before cleaning.
  - Do not place hot foods or utensils on the cold turntable .
  - Do not place frozen foods or utensils on the hot turntable .
10. Make sure the utensils do not touch the interior walls during cooking .
11. Failure to maintain the oven in a clean condition could lead to a deterioration of the surface that could adversely affect the life of the appliance and possibly result in a hazardous situation.
12. Only use utensils that are suitable for use in microwave ovens.
13. Do not store food or any other things inside the oven .
14. Do not operate the oven without any liquid or food inside the oven . This would damage the oven.
15. This appliance is not intended for using by young children or infirm persons without supervision .



## IMPORTANT SAFEGUARDS

- 16 . When the appliance is operated in the combination mode, children should only use the oven under adult supervision due to the temperatures generated .
17. Any accessories not recommended by the manufacturer may cause injuries to persons.
18. Do not use outdoors.
19. Save these instructions.
20. WARNING : It is hazardous for anyone other than a competent person to carry out any service or repair operation that involves the removal of a cover which gives protection against exposure to microwave energy
21. WARNING: Liquids and other foods must not be heated sealed container since they are liable to explode
22. WARNING: Only allow children to use the oven without supervision when adequate instructions have been given so that the child is able to use the oven in a safe way and understands the hazards of improper use
23. When heating food in plastic or paper containers, keep an eye on the oven due to the possibility of ignition
24. If smoke is observed, switch off or unplug the appliance and keep the door closed in order to stifle any flames
- 25 . The contents of feeding bottles and baby food jars shall be stirred or shaken and the temperature checked before consumption in order to avoid burns
26. WARNING: Accessible parts may become hot during use . Young children should be kept away .
27. Do not use harsh abrasive cleaners or sharp metal scrapers to clean the oven door glass since they can scratch the surface, which may result in shattering of the glass .
28. This appliance is not intended for use by persons ( including children) with reduced physical , sensory or mental capabilities, or lack of experience and knowledge, unless they have been given supervision or instruction concerning use of the appliance by a person responsible for their safety .
- 29 . Children should be supervised to ensure that they do not play with the appliance .
- 30 . The appliance is not intended to be operated by means of an external timer or separate remote control system

### Household use only



**WARNING**  
**HOT SURFACES**



## Specifications

Capacity: 20L

Output: 800 Watt

Input voltage: 230V ~ 50Hz

Input power: 1200 Watts

Microwave frequency: 2450MHz

Outer dimensions: 262mm(H)×452mm(W)×395mm(D)

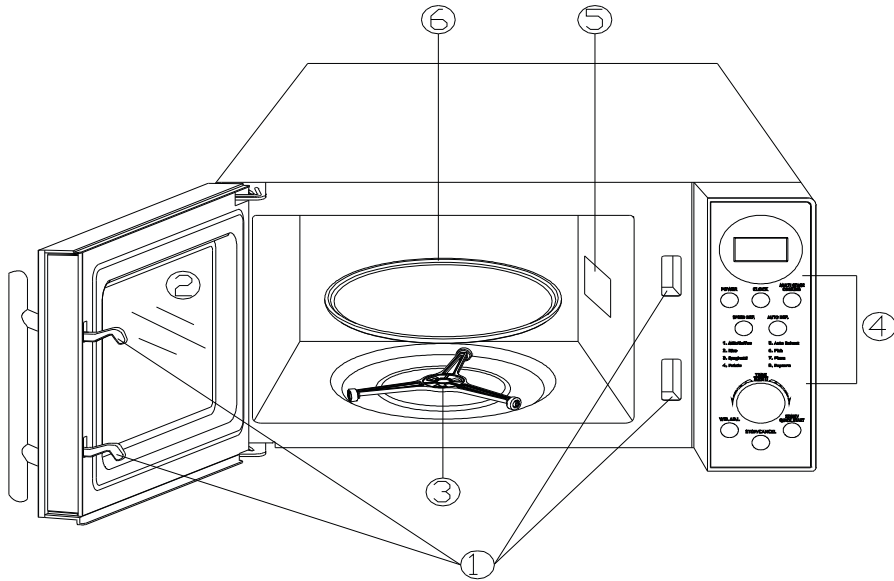
Oven cavity dimensions: 210mm(H)×315mm(W)×329mm(D)

Weight: Approx 12kg

**Swan**  
designed for life



# GET TO KNOW YOUR MICROWAVE



1. Door Safety Lock System
2. Oven Window
3. Roller Ring
4. Control Panel
5. Wave Guide [Please do not remove the mica plate covering the wave guide]
6. Glass Tray

## GENERAL GUIDE TO CORRECT UTENSILS

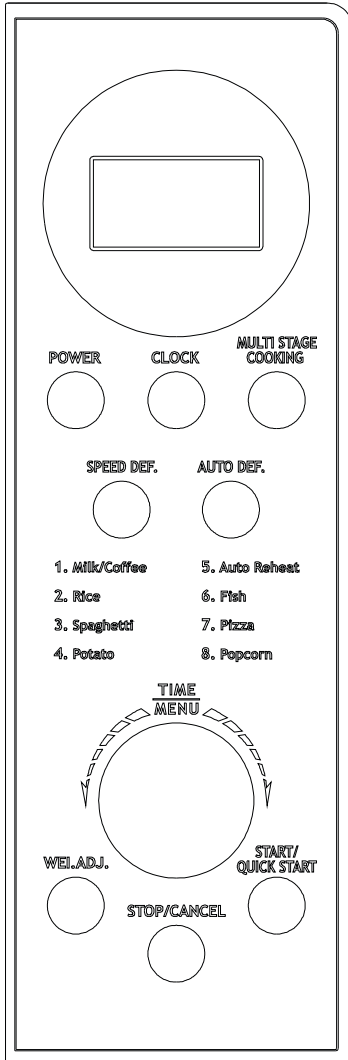
COOKWARE	MICROWAVE
Heat resistant glass	Yes
Non heat-resistant glass	No
Heat-resistant ceramic	Yes
Microwave-safe plastic dish	Yes
Kitchen paper	Yes
Metal tray	No
Metal rack	No
Aluminium foil & foil containers	No

**Swan**  
designed for life



# HOW TO USE YOUR MICROWAVE

## CONTROL PANEL



- **MENU ACTION SCREEN**

Cooking time, power, action indicators, and clock time are displayed.

- **POWER**

Touch this button a number of times to set microwave cooking power level.

- **CLOCK**

Touch this button to start setting the oven clock and ending by touching it again.

- **MULTI STAGE COOKING**

Press this button to set a multi-stage cooking program.

- **SPEED DEF.**

Press to set speed defrost program on time.

- **AUTO DEF.**

Press to set auto defrost program on weight.

- **TIME/MENU**

Turn the dial to set the oven clock time and input cooking time. Turn the dial to select an auto-cooking menu.

- **WEI. ADJ.**

After choosing an auto-cooking menu, use it to specify food weights or number of servings.

- **START/QUICK START**

Touch to start a cooking program. Press repeatedly to set cooking time and cook immediately at full power level.

- **STOP/CANCEL**

Press to cancel setting or reset the oven before setting a cooking program. Press once to temporarily stop cooking, or twice to cancel cooking altogether. It is also used for setting child lock.



# HOW TO USE YOUR MICROWAVE

## HOW TO SET THE OVEN CONTROLS

Each time a button is touched, a beep will sound to acknowledge the touch.

### Setting clock time

The oven is equipped with a digital clock, you can choose to set the clock time in 24 or 12-hour cycle by pressing the clock button in waiting mode.

FOR EXAMPLE: Suppose you want to set the oven clock time to 8:30.

1. Press CLOCK button once or twice.
2. Turn TIME/MENU to set 8 o'clock.
3. Press CLOCK button.
4. Turn TIME/MENU to set 30 min.
5. Press CLOCK to confirm the setting.

### Microwave Cooking

For microwave cooking, just press the POWER button a number of times to select a cooking power level, and then use the TIME/MENU dial to set a desired cooking time. The longest cooking time is 60 minutes.

Select power level by pressing the POWER button.

PRESS POWER BUTTON	DISPLAY	COOKING POWER
Once	100	100%
Twice	80	80%
3 times	60	60%
4 times	40	40%
5 times	20	20%
6 times	0	0

For example, suppose you want to cook for 1 minute at 60% of microwave power.

1. Press STOP/CANCEL button to reset the oven.
2. Press POWER button 3 times.
3. Turn TIME/MENU to 1:00.
4. Press START/QUICK START button.



# HOW TO USE YOUR MICROWAVE

## Express Cooking

- The longest cooking time is 12 minutes.
- The oven will operate at HIGH power (100% power output) for EXPRESS cooking program.
- To do this, just press START/QUICK START button in quick succession to set cooking time, the oven starts immediately at full power.

## Speed Defrost

You can program a speed defrost program by time. The longest defrost time is 60 minutes. FOR EXAMPLE: Suppose you want to defrost shrimp for 20 minutes.

1. Place the shrimp to be defrosted into the oven.
2. Press SPEED DEF. button once.
3. Turn TIME/MENU dial to set cooking time.
4. Press START/ QUICK START button.

## Auto Defrost

The oven could be used to defrost food based on the weight you entered. The defrosting time and power level are automatically set once the weight is programmed. The weight varies between 100g and 1800g.

FOR EXAMPLE: Suppose you want to defrost 600g of shrimp.

1. Place the shrimp to be defrosted into the oven.
2. Press AUTO DEF. button once.
3. Turn TIME/MENU dial to indicate weight 600g.
4. Press START/ QUICK START button.

Note: During defrosting process, the system will pause to remind user to turn food over, you will then need to press START/QUICK START to resume defrosting.



# HOW TO USE YOUR MICROWAVE

## Multistage cooking

Your oven can be programmed for up to 3 automatic cooking sequences. Some recipes may require setting a multi-stage program involving speed defrost program. Suppose you want to set the following cooking program.

Speed defrost >> Microwave cooking

1. Input speed defrost program.
2. Press MULTI STAGE COOKING button.
3. Input microwave-cooking program.
4. Touch START/QUICK START button.

Note: SPEED DEFROST can be only set before other cooking stage of the program, AUTO DEFROST and AUTO COOK can not be set in multi-stage cooking program.

## Child Lock

Use to prevent unsupervised operation of the oven by children. The CHILD LOCK indicator will show up on display screen, and the oven can not be operated while the CHILD LOCK is set.

- To set the CHILD LOCK: Press and hold the STOP/CANCEL button for 3 seconds, a beep sounds and LOCK indicator lights.
- To cancel the CHILD LOCK: Press and hold the STOP/CANCEL button for 3 seconds until lock indicator on display turns off.

## Auto Cook

For food or the following cooking mode, it is not necessary to program the duration and the cooking power. It is sufficient to indicate the type of food that you wish to cook as well as the weight of this food.

You may need to turn food over during cooking time to obtain uniform cooking. For example: to cook 400g of fish.

1. Turn TIME/MENU dial anti-clockwise to fish cooking, which is the item 6 on the auto-menu.
2. Press WEI. ADJ. button repeatedly to indicate weight 400g.
3. Press START/QUICK START button.





# HOW TO USE YOUR MICROWAVE

CODE	FOOD	NOTES
1	Milk/coffee (200ml/unit)	<ol style="list-style-type: none"><li>1. The user required to turn TIME/MENU to select one of the auto cook menus and enter the food weight by pressing WEI.ADJ. button.</li><li>2. The result of auto cooking depends on factors such as fluctuation of voltage, the shape and size of food, your personal preference as to the doneness of certain foods and even how well you happen to place food in the oven. If you find the result at any rate not quite satisfactory, please adjust the cooking time a little bit accordingly.</li><li>3. For Spaghetti add boiled water before cooking.</li></ol>
2	Rice (g)	
3	Spaghetti (g)	
4	Potato (230g/unit)	
5	Auto reheat (g)	
6	Fish (g)	
7	Pizza (g)	
8	Popcorn (99g)	

## Cooking tips

The following factors may affect the cooking result:

### Food arrangement

Place thicker areas towards outside of dish, the thinner part towards the Centre and spread it evenly. Do not overlap if possible.

### Cooking time length

Start cooking with a short time setting, evaluate it after it times out and extend it according to the actual need. Over cooking may result in smoke and burns.

### Cooking food evenly

Food such as chicken, hamburger or steak should be turned once during cooking. Depending on the type of food, if applicable, stir it from outside to centre of dish once or twice during cooking



# HOW TO USE YOUR MICROWAVE

---

## **Allow standing time**

After cooking times out, leave the food in the oven for a adequate length of time, this allows it to complete its cooking cycle and cooling it down in a gradual manner

## **Whether the food is done**

Colour and hardness of food help to determine if it is done, these include steam coming out from all parts of food, not just the edge





## CLEANING & CARE

1. Turn off the oven and remove the power plug from the wall socket before cleaning.
2. Keep the inside of the oven clean. When food splatters or spilled liquids adhere to oven walls, wipe with a damp cloth. Mild detergent may be used if the oven gets very dirty. Avoid the use of spray and other harsh cleaners as they may stain, streak or dull the door surface.
3. The outside surfaces should be cleaned with a damp cloth. To prevent damage to the operating parts inside the oven, water should not be allowed to seep into the ventilation openings.
4. Wipe the door and window on both sides, the door seals and adjacent parts frequently with a damp cloth to remove any spills or splatters. Do not use abrasive cleaner.
5. Do not allow the control panel to become wet. Clean with a soft, damp cloth. When cleaning the control panel, leave oven door open to prevent oven from accidentally turning on.
6. If steam accumulates inside or around the outside of the oven door, wipe with a soft cloth. This may occur when the microwave oven is operated under high humidity condition. And it is normal.
7. It is occasionally necessary to remove the glass tray for cleaning. Wash the tray in warm soapy water or in a dishwasher.
8. The roller ring and oven floor should be cleaned regularly to avoid excessive noise. Simply wipe the bottom surface of the oven with mild detergent. The roller ring may be washed in mild soapy water or dishwasher. When removing the roller ring from cavity floor for cleaning, be sure to replace in the proper position.
9. Remove odours from your oven by combining a cup of water with the juice and skin of one lemon in a deep microwaveable bowl, microwave for 5 minutes. Wipe thoroughly and dry with a soft cloth.
10. When it becomes necessary to replace the oven light, please consult a dealer to have it replaced.
11. The oven should be cleaned regularly and any food deposits removed. Failure to maintain the oven in a clean condition could lead to deterioration of the surface that could adversely affect the life of the appliance and possibly result in a hazard.



# SERVICING

## WARNING

### **MICROWAVE RADIATION!**

It is hazardous for anyone, other than a qualified service technician, to carry out any service for repairing operation which involves removal of any cover which gives protection against exposure to microwave energy. The temperature of accessible surfaces may be high when the appliance is operating

The high voltage capacitor remains charge after disconnection; short the negative terminal of H. V capacitor to the oven chassis (use a screwdriver) to discharge before touching.

During servicing below listed parts are liable to be removed and give access to potentials above 250V to earth.

1. Magnetron
2. High voltage transformer
3. High voltage capacitor
4. High voltage diode
5. High voltage fuse

### **The following conditions may cause undue microwave exposure during servicing.**

Improper fitting of magnetron;  
Improper matching of door interlock, door hinge and door;  
Improper fitting of switch support;  
Door, door seal or enclosure has been damaged.



## WEEE Directive



### Disposal of Unit

Disposal instructions for Swan items in accordance with the WEEE directive. Appliances bearing the symbol shown here may not be disposed of in domestic rubbish. You are required to dispose of old electrical and electronic appliances like this separately. Please visit [www.recyclenow.co.uk](http://www.recyclenow.co.uk), or [www.recyclenow.co.uk](http://www.recyclenow.co.uk) for access to information about the recycling of electrical items. The WEEE directive, introduced in August 2006, states that all electrical items must be recycled, rather than taken to landfill. Please arrange to take this appliance to your local Civic Amenity site for recycling, once it has reached the end of its life.



## Warranty

This product is guaranteed for 2 years from the date of original purchase. If any defect arises due to faulty materials or workmanship the faulty products must be returned to the place of purchase. Refunds or replacement is at the discretion of the store.

### The following conditions apply:

The product must be returned to the retailer with proof of purchase.

The product must be installed and used in accordance with the instructions contained in this instruction guide. It must be used only for domestic purposes. It does not cover wear and tear, damage, misuse or consumable parts. Swan Products Ltd has limited liability for incidental or consequential loss or damage. This guarantee is valid in the UK and Eire Only.



## BS Plug Wiring

The wires in the mains lead are coloured in accordance with the following code:

BLUE	NEUTRAL
BROWN	LIVE
GREEN/YELLOW	EARTH

As the colours of the wire in the mains lead of this appliance may not correspond with the colour markings identifying the terminals on your plug, proceed as follows:

The wire which is coloured BLUE must be connected to the terminal which is marked with the letter N or coloured black. The wire which is coloured BROWN must be connected to the terminal which is marked with the letter L or coloured red. The wire which is coloured GREEN/YELLOW must be connected to the terminal which is marked with the letter E or (earth symbol) and is coloured GREEN or GREEN/YELLOW.

**WARNING: THIS APPLIANCE MUST BE EARTHED**

**Swan**  
designed for life



[www.swan-brand.co.uk](http://www.swan-brand.co.uk)



Scan this QR code  
to hear about  
our story



We love  
what we do



we're proud  
of our quality



Find us on Facebook

Copyright © 2014  
Swan Products Ltd. PO Box 3117, Stoke-on-Trent ST4 9GD

