

**Swan**

designed for life

**ProSteam**



## Garment Steamer

Help line  
**0333 220 6050**

Model: SI12022N

v1.0



## IMPORTANT INFORMATION - RETAIN FOR FUTURE USE

**When using any electrical appliance, basic safety precautions should always be followed including the following:**

- Always ensure that the voltage on the rating label corresponds to the mains voltage in your home
- Incorrect operation and improper use can damage the appliance and cause injury to the user.
- This appliance can be used by children aged from 8 years and above if they have been given supervision or instruction concerning use of the appliance in a safe way and if they understand the hazards involved. Cleaning and user maintenance shall not be made by children unless they are older than 8 and supervised. Keep the appliance and its cord out of reach of children aged less than 8 years.
- Appliances can be used by persons with reduced physical, sensory or mental capabilities or lack of experience and knowledge if they have been given supervision or instruction concerning use of the appliance in a safe way and understand the hazards involved.
- Check the power cord and plug regularly for any damage. If the cord or the plug is damaged, it must be replaced by the manufacturer or qualified person in order to avoid an electrical hazard.
- Do not use the appliance if it has been dropped or



## IMPORTANT INFORMATION - RETAIN FOR FUTURE USE

damaged in any way. In case of damage, take the unit in for examination and/or repair by an authorised service agent.

- Never immerse the unit in water or any other liquid for cleaning purposes.
- Remove the plug from the socket by gripping the plug. Do not pull on the cord to disconnect the appliance from the mains. Always unplug the unit when not in use, before cleaning, when filling or emptying the tank or adding/removing parts.
- The use of accessory attachments that are not recommended or supplied by the manufacturer may result in injuries, fire or electric shock.
- Do not let the cord hang over the edge of a table or counter. Ensure that the cord is not in a position where it can be pulled on inadvertently.
- Do not allow the cord to touch hot surfaces and do not place on or near a hot gas or electric burner or in a heated oven.
- Do not use the appliance on a gas or electric cooking top or over or near an open flame.
- Use of an extension cord with this appliance is not recommended. However, if it is necessary to use an extension lead, ensure that the lead is suited to the power consumption of the appliance to avoid overheating of extension cord, appliance or plug point. Do not place the extension cord in a position where it can be pulled on by children or animals or tripped over.
- This appliance is not suitable for outdoor use. Do not use





## IMPORTANT INFORMATION - RETAIN FOR FUTURE USE

the appliance for anything other than its intended use.

- Do not carry the appliance by the power cord.
- Do not leave the appliance unattended during use. Always unplug the unit when not in use or before cleaning.
- Always operate the appliance on a smooth, even, stable surface. Do not place the unit on a hot surface.
- Ensure that the unit is switched off after use.
- The manufacturer does not accept responsibility for any damage or injury caused by improper or incorrect use, or for repairs carried out by unauthorised personnel.
- In case of technical problems, switch off the product and do not attempt to repair it yourself. Return the appliance to an authorised service facility for examination, adjustment or repair. Always insist on the use of original spare parts. Failure to comply with the above mentions precautions and instructions, could affect the safe operation of this product.
- Your appliance must never be switched on through an external timer or any kind of separate remote control system.
- Do not fill past the MAX level.

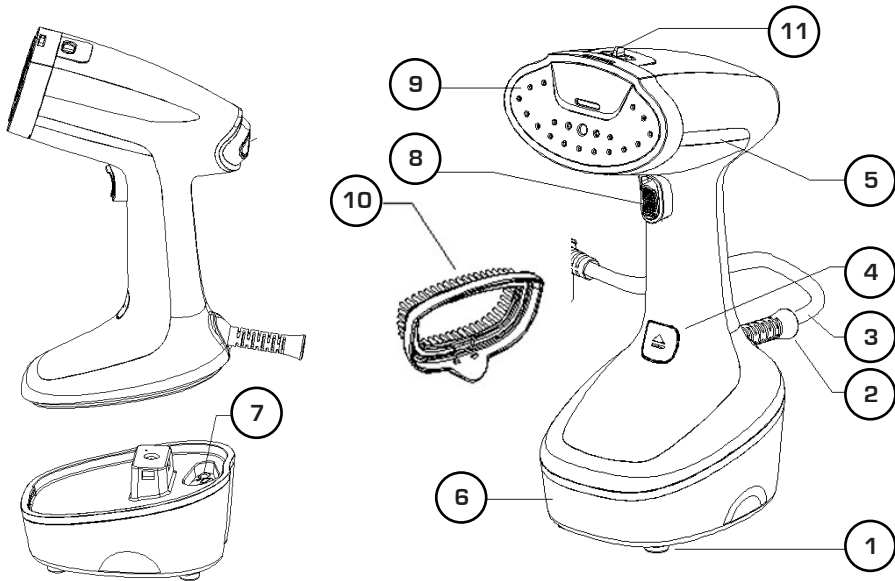


**CAUTION: SURFACES BECOME HOT DURING USE**





## PARTS



1. Non-slip feet
2. Power cord strain relief
3. Power cord
4. Water tank release button
5. Indicator lamp
6. The water tank
7. Water filling cover
8. Steam button
9. Steam head
10. Brush attachment
11. Steam adjustment knob (normal & high setting)

### BEFORE FIRST USE

- Remove all stickers and protective covers from the garment steamer and unwind the power cord. Inspect for damage and contact our help line if any is found.



## HOW TO USE

### FILLING THE WATER TANK

- Before filling water, please ensure steamer is unplugged from mains supply and cooled.
- The water tank on garment steamer is fully detachable. To remove the water tank, press and hold the water tank release button (4). Holding the water tank with one hand and the garment steamer body with the other, gently pull the water tank away from the body.
- To fill the water tank, open the water tank inlet cover (7) and pour water in the opening until the water level reaches the indicated "MAX" level. \* \* **Do not fill the tank beyond the maximum water capacity (300ml)**
- When full, close the water tank inlet cover securely and replace the water tank onto the garment steamer body. Ensure that the water tank clicks into place before operating the garment steamer.
- If the water in your area is particularly hard, it is advisable to use distilled or bottled water.
- Do not use vinegar, starch or chemically de-scaled water.
- When operating the garment steamer for the first time, allow it to heat up for 3-5 minutes and then hold down the steam trigger for 30 seconds. This will remove any impurities and odours that might remain on the product from the manufacturing process or left over moisture from previous use.
- When using the garment steamer for the first time, test it on an old piece of fabric to ensure that the steam plate and water tank are completely clean.
- During first use, some vapour may emit from the steam holes. This is due to the initial heating of the materials. It will not harm the material or performance of the product
- DO NOT USE on materials like waxed jackets etc.

### NOTES:

If the garment steamer becomes noisy with a loud humming sound and no steam is generating, check the water level in the tank and check the water tank is fully clicked into place.

### DETACHING THE FABRIC BRUSH

- A fabric brush is provided with the garment steamer. The steamer can be used with or without this accessory. It is recommended that the brush be used when steaming delicate garments or when the steamer brush is in direct contact with the fabric.



## HOW TO USE

- To attach the brush, ensure the garment steamer is disconnected from the power, **fully cooled** and in an upright position. With the lip of the fabric brush at the bottom, clip the brush onto the steam plate.
- To remove the fabric brush, ensure that the garment steamer is disconnected from the power, is in an upright position and has been allowed to cool.
- Hold the lip and the top of the fabric brush and pull the attachment away from the steamer head.
- Be careful of any residual heat when handling the unit.

## STEAM FUNCTION

- Make sure there is enough water in the water tank.
- Plug into the power supply.
- Allow the garment steamer to heat for at least 2-3 minutes before commencing steaming.
- To operate the garment steamer, simply hold the steamer securely around the steamer body with one hand and use your index finger to press the steam button to activate the steam.
- The steamer is suitable on any fabric that is hanging or in an upright position; that allows the garment steamer to be move in an up and down motion. For best results, gently stretch the fabric whilst steaming.

## NOTES:

- The garment steamer generates high temperatures of steam. Do not touch the steam head (9). Make sure the steamer is facing away from you in an upright position.
- The garment steamer is designed to be used in an upright position on hanging fabrics.
- Release the steam button to stop generating steam.
- When you are finished using the steamer, pull out the plug from the power supply. Remove the water tank from the garment steamer body and empty any remaining water. Replace the water tank and allow the garment steamer to cool. Remove the fabric brush from the steamer head and allow it to dry.





## HOW TO USE

### CARE AND CLEANING

- Remove the power cord from the outlet.
- Remove the water tank from the garment steamer body and empty any remaining water. Replace the water tank and allow the garment steamer to cool.
- Remove the fabric brush from the steamer head and allow to dry.
- Deposits and other residues on the steam plate can be removed with a cloth soaked in a diluted vinegar/water solution.
- To clean the exterior of your garment steamer, wipe with a damp soft cloth and wipe dry.
- Do not use scouring pads, abrasives or harsh cleaners to clean the steam plate.
- Do not add any perfume, vinegar or other chemicals to the water tank.
- Do not let unused water sit in the tank for long periods.

### STORAGE

- Always ensure the steam outlet holes are clean, free from scaling and not blocked.
- **Check the hardness of your tap water before using it in this garment steamer. If you have lime scale in your kettle, you live in a hard water area. High lime scale content in tap water can damage this product. If in doubt, use bottled or distilled water.**
- Store the garment steamer on its heel
- Do not drop, throw or try to bend the garment steamer.
- Do not attempt to disassemble the garment steamer.
- Avoid operating the garment steamer in humid or moist places.
- Do not place the garment steamer near a heat source or direct sunlight.







## SPARE PARTS

Spare parts available for this item are:

SI12022N-001: Fabric brush (part 10 on diagram)

SI12022N-002: Removable tank (part 6 on diagram)

Spare parts are available by visiting our website:

[www.swan-brand.com](http://www.swan-brand.com)





## TECHNICAL DATA

Description: Garment Steamer

Model: SI12022N

Input Voltage: 220-240V

Frequency: 50/60Hz

Power consumption: 1370-1630 Watts



## WARRANTY

This product is guaranteed for 2 years from the date of original purchase. If any defect arises due to faulty materials or workmanship the faulty products must be returned to the place of purchase. Refunds or replacement is at the discretion of the store.

### The following conditions apply:

- The product must be returned to the retailer with proof of purchase.
- The product must be installed and used in accordance with the instructions contained in this instruction guide.
- It must be used only for domestic purposes.
- It does not cover wear and tear, damage, misuse or consumable parts.
- Swan Products Ltd has limited liability for incidental or consequential loss or damage.
- This guarantee is valid in the UK and Eire Only.

**PLEASE NOTE: YOUR WARRANTY DOES NOT COVER DAMAGE CAUSED BY EXCESSIVE LIMESCALE BUILD UP**



## BS PLUG

The wires in the mains lead are coloured in accordance with the following code:

BLUE	NEUTRAL
BROWN	LIVE
GREEN/YELLOW	EARTH

As the colours of the wire in the mains lead of this appliance may not correspond with the colour markings identifying the terminals on your plug, proceed as follows:

The wire which is coloured BLUE must be connected to the terminal which is marked with the letter N or coloured black. The wire which is coloured BROWN must be connected to the terminal which is marked with the letter L or coloured red. The wire which is coloured GREEN/YELLOW must be connected to the terminal which is marked with the letter E or (earth symbol) and is coloured GREEN or GREEN/YELLOW.

WARNING: THIS APPLIANCE MUST BE EARTHED



## DISPOSAL OF UNIT



Appliances bearing the symbol shown here may not be disposed of in domestic rubbish. You are required to dispose of old electrical and electronic appliances like this separately. Please visit [www.recycle-more.co.uk](http://www.recycle-more.co.uk) or [www.recyclenow.co.uk](http://www.recyclenow.co.uk) for access to information about the recycling of electrical items. Please visit [www.weeeireland.ie](http://www.weeeireland.ie) for access to information about the recycling of electrical items purchased in Ireland. The WEEE directive, introduced in August 2006, states that all electrical items must be recycled, rather than taken to landfill. Please arrange to take this appliance to your local Civic Amenity site for recycling, once it has reached the end of its life.



[www.swan-brand.co.uk](http://www.swan-brand.co.uk)



Scan this QR code  
to hear about  
our story



We love  
what we do



we're proud  
of our quality



Find us on Facebook

\* on selected products

Copyright © Swan Products Ltd.  
PO Box 3117, Stoke-on-Trent ST4 9GD

