



# Swan

designed for life



## Steam Generator

Model: SI11010N

Helpline

**0871 200 0003**

v1.0





## IMPORTANT INFORMATION - RETAIN FOR FUTURE USE

**When using any electrical appliance, basic safety precautions should always be followed including the following:**

- Always ensure that the voltage on the rating label corresponds to the mains voltage in your home
- Incorrect operation and improper use can damage the appliance and cause injury to the user.
- This appliance can be used by children aged from 8 years and above if they have been given supervision or instruction concerning use of the appliance in a safe way and if they understand the hazards involved. Cleaning and user maintenance shall not be made by children unless they are older than 8 and supervised. Keep the appliance and its cord out of reach of children aged less than 8 years. Check the power cord and plug regularly for any damage. If the cord or the plug is damaged, it must be replaced by the manufacturer or qualified person in order to avoid an electrical hazard.
- Do not use the appliance if it has been dropped or damaged in any way. In case of damage, take the unit in for examination and/or repair by an authorised service agent.
- Never immerse the unit in water or any other liquid for cleaning purposes.
- Remove the plug from the socket by gripping the plug. Do not pull on the cord to disconnect the appliance from the mains. Always unplug the unit when not in use, before cleaning or when adding or removing parts.
- The use of accessory attachments that are not recommended or supplied by the manufacturer may result in injuries, fire or electric shock.
- Do not let the cord hang over the edge of a table or counter. Ensure that the cord is not in a position where it can be pulled on inadvertently.
- Do not allow the cord to touch hot surfaces and do not place on or near a hot gas or electric burner or in a heated oven.
- Do not use the appliance on a gas or electric cooking top or over or near an open flame.
- Use of an extension cord with this appliance is not recommended. However, if it is necessary to use an extension lead, ensure that the lead is suited to the power consumption of the appliance to avoid overheating of extension cord, appliance or plug point. Do not place the extension cord in a position where it can be pulled on by children or animals or tripped over.
- This appliance is not suitable for outdoor use. Do not use the appliance for anything other than its intended use.



## IMPORTANT INFORMATION - RETAIN FOR FUTURE USE

- Do not carry the appliance by the power cord.
- Do not leave the appliance unattended during use. Always unplug the unit when not in use or before cleaning.
- Always operate the appliance on a smooth, even, stable surface. Do not place the unit on a hot surface.
- Ensure that the unit is switched off after use.
- The manufacturer does not accept responsibility for any damage or injury caused by improper or incorrect use, or for repairs carried out by unauthorised personnel.
- In case of technical problems, switch off the product and do not attempt to repair it yourself. Return the appliance to an authorised service facility for examination, adjustment or repair. Always insist on the use of original spare parts. Failure to comply with the above mentions precautions and instructions, could affect the safe operation of this product.
- Your appliance must never be switched on through an external timer or any kind of separate remote control system
- The water inlet must be closed during use
- Do not open the safety valve while using the appliance or before the water is completely used up (when the iron stops producing steam indicates that the tank is empty). To add water, unplug and wait 15 minutes to avoid sudden temperature changes. Place a cloth over the safety valve and unscrew slowly to allow any remaining steam/pressure to escape slowly
- Only place the unit complete with base on a stand that is designed to withstand the weight. Some lightweight ironing boards may be unsuitable. In this case, place on separate counter top.



## TECHNICAL DATA

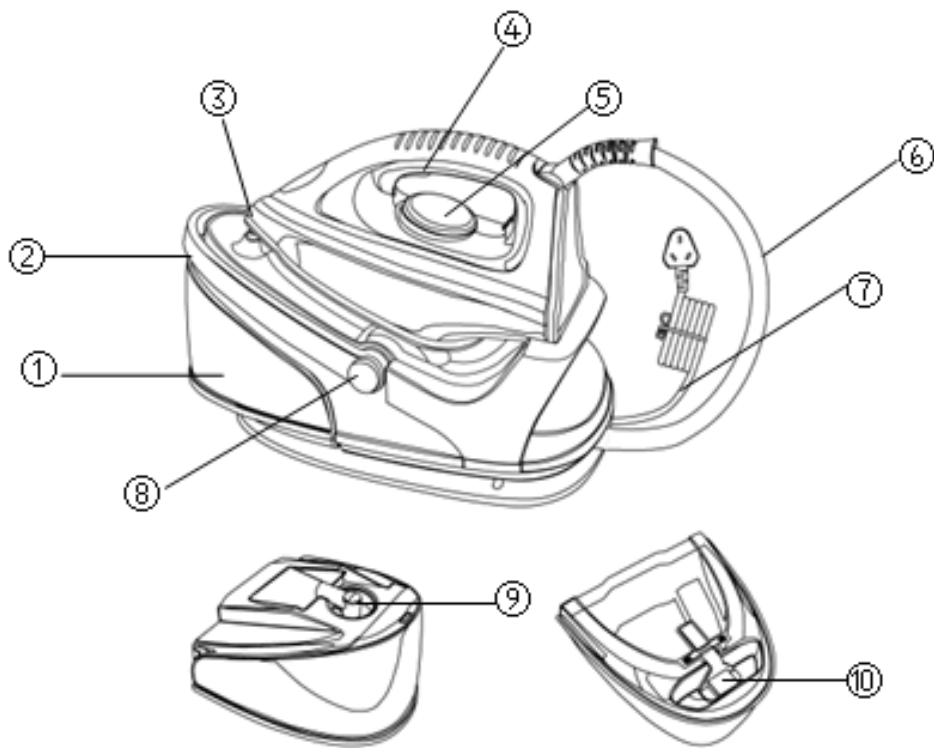
Description: Steam Generator  
Model: SI110100N  
Input Voltage: 230V ~  
Frequency: 50/60Hz  
Power consumption: 2200 Watts



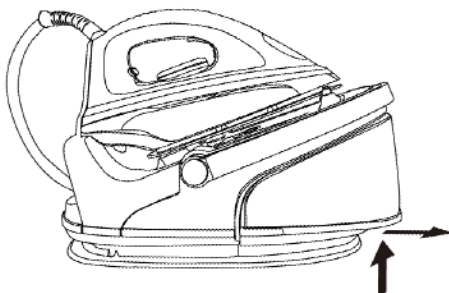
**CAUTION: SURFACES BECOME HOT DURING USE**



## PARTS



1. Water tank
2. Handle
3. Soleplate
4. Steam release button
5. Temperature control dial
6. Power cord/supply hose
7. Power cord
8. Handle release button
9. Filter
10. Water tank lock



Removing tank





## GETTING STARTED

### A QUICK WORD ABOUT LIMESCALE

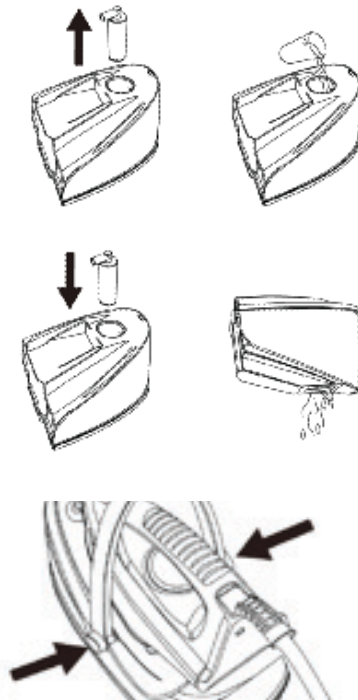
Modern Steam Irons (like this one) give a much higher steam output than their counterparts from the 80s and 90s. That makes ironing a lot easier! However, to get this high performance, modern Steam Irons use high precision components inside. These can be ruined by excessive limescale build up.

Depending on where you live, limescale can have a major impact on the operational life and efficiency of steam irons. Have a quick look inside your kettle! If it has a lot of limescale deposits, then **we strongly recommend that you use bottled, filtered or distilled water in this iron.**

Your Steam Generator iron is equipped with a removable filter that can prevent some limescale from damaging the pump inside. However, it does have limits and is not covered by your warranty. Replacement filters are available from our website at [www.swan-brand.com](http://www.swan-brand.com) but, depending on where you live, a filter can last 2 years in Halifax or just 2 months in Bristol!

### PREPARE THE APPLIANCE FOR USE:

- Remove any stickers, protective foil or storage cover from the soleplate.
- Remove tank & filter, fill tank to below MAX level, refit filter and replace the tank. A CLICK sound will be heard to indicate tank is in place (see image)
- Connect the iron to the mains supply and turn the thermostat control to MAX
- Note: It is normal for a slight odour to come from the unit during the first use. This is due to light oils used to preserve components during manufacture. The odour will disappear after first use.
- The carry handle can be lifted or lowered by pressing the buttons either side simultaneously (see image)





# GETTING STARTED

## PRIMING THE PUMP








OK so your Steam Generator Iron is now switched on and heating up nicely. When the indicator light on the hand unit goes out, it has reached temperature.

1. Lift the iron from the base
2. Hold it lower than the base (on first time use like this, gravity helps to get water to the hand unit more quickly)
3. Press and HOLD the steam release button for up to 30 seconds
4. The pump will make a vibration noise that will become quieter as it becomes primed with water.
5. When fully primed and ready, steam (and lots of it) will come from the hand unit and the pump will make a quiet pulsing noise.
6. If this is the first time use, we recommend ironing a piece of scrap linen or cotton material to ensure any residual material from the manufacturing process is removed from the iron and soleplate.
7. Your new iron is now primed and ready for work!

Please refer to the ironing temperature guide below. When you begin your ironing session, start with the LOWER temperature fabrics first because the iron takes longer to cool down than it does to heat up.

If you need to go from high temperature to low temperature then:

- Set the thermostat to lower temperature (NOTE: there is no steam function on the very low settings)
- Wait for the indicator light on the hand unit to cycle on and off TWICE. This ensures the sole plate is an even temperature.

Temperature Setting	Synthetic ●	Wool Silk ● ●	Cotton ● ● ●	Max
Fabric	Nylon Synthetic Acrylic Acetate	Silk Wool Polyester	Rayon Cotton Linen	Cotton, Linen
Ironing Instruction	Dry iron on the opposite side of the fabric.	Use a press cloth and steam iron on the opposite side of the fabric	Steam Ironing	Steam Ironing
Steam Selection			 / 	 /  / 





## IRONING TIPS

### DRY IRONING

If the garment requires dry ironing then don't press the steam release button during ironing. There are some lower temperature settings eg NYLON where steam function is not available, since the soleplate doesn't get hot enough to produce steam at his temperature

If you are unsure about the correct setting for your iron or if the garment label is missing then try ironing a small inconspicuous area of the garment first.

### TANK LEVEL

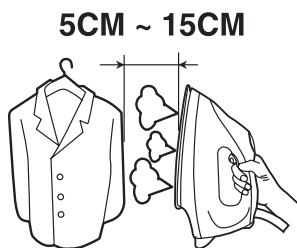
The tank should hold enough water to fuel even the longest ironing session but keep your eye on it. It's always best to refill the tank before it becomes completely empty. If the pump noise increases, it is a sure sign that the tank is empty!

After refilling the tank, you may need to prime the pump again. Hold the hand unit below the base and press/hold the steam release button. It should only take a few seconds to prime the pump - and you're ready to go again!

If you need to refill the tank more than twice during a single ironing session, then some pondering on the life choices you have made that have lead to the existential horror of having such a back log of ironing to do might be in order (our service line cannot help with this).

### VERTICAL STEAM IRONING

- Follow the steam ironing process, and then hold the iron in vertical position about 5cm to 15cm away from the hanging fabrics. Press the steam release button, which will create vertical steam.
- This feature is especially used for removing creases from hanging clothes and curtains.
- Never directsteam toward people or animals
- The room should be ventilated.
- **Note: Never block the steam hose.**





## AFTER USE

When you have finished ironing:

- Unplug the product from the mains supply and allow to fully cool.
- If you are using tap water then remove the tank and empty the water out, then refill the tank.
- If using bottled, filtered or distilled water you can leave the water in the tank for a couple of days until your next ironing session
- The outside of the iron can be cleaned with a soft cloth moistened with a mild detergent solution
- Do not use chemical or abrasive cleaners on any part of the iron
- Never immerse the base or hand unit in water
- Never run the base or hand unit under the tap

### DESCALING

**We highly recommend using bottled water as it is inexpensive and it could be many years before you need to descale the product. In certain areas of the UK, the iron can become scaled up after only a few weeks! Call 0871 200 0003 for more info.**







## DOCUMENTATION

We Swan Products Ltd declare that this product conforms to the following product legislation in accordance with the following directive[s]:

2004/108/EC The EMC Directive (the Electromagnetic Compatibility Directive).

2006/95EC. The LVD Directive (Low Voltage Directive).

2011-65-EU. The RoHS directive (Restriction of Hazardous Substances Directive)



## WARRANTY

This product is guaranteed for 2 years from the date of original purchase. If any defect arises due to faulty materials of workmanship the faulty products must be returned to the place of purchase. Refunds or replacement is at the discretion of the store.

**The following conditions apply:**

- The product must be returned to the retailer with proof of purchase.
- The product must be installed and used in accordance with the instructions contained in this instruction guide.
- It must be used only for domestic purposes.
- It does not cover wear and tear, damage, misuse or consumable parts.
- Swan Products Ltd has limited liability for incidental or consequential loss or damage.
- This guarantee is valid in the UK and Eire Only.



## BS PLUG

The wires in the mains lead are coloured in accordance with the following code:

BLUE	NEUTRAL
BROWN	LIVE
GREEN/YELLOW	EARTH

As the colours of the wire in the mains lead of this appliance may not correspond with the colour markings identifying the terminals on your plug, proceed as follows:

The wire which is coloured BLUE must be connected to the terminal which is marked with the letter N or coloured black. The wire which is coloured BROWN must be connected to the terminal which is marked with the letter L or coloured red. The wire which is coloured GREEN/YELLOW must be connected to the terminal which is marked with the letter E or (earth symbol) and is coloured GREEN or GREEN/YELLOW.

**WARNING: THIS APPLIANCE MUST BE EARTHED**



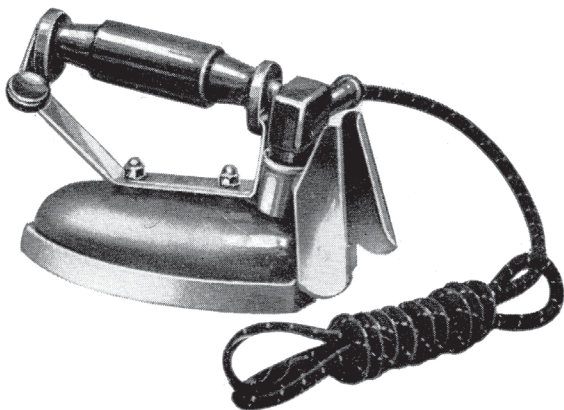
## DISPOSAL OF UNIT



Appliances bearing the symbol shown here may not be disposed of in domestic rubbish. You are required to dispose of old electrical and electronic appliances like this separately. Please visit [www.recycle-more.co.uk](http://www.recycle-more.co.uk) or [www.recyclenow.co.uk](http://www.recyclenow.co.uk) for access to information about the recycling of electrical items. Please visit [www.weeeiireland.ie](http://www.weeeiireland.ie) for access to information about the recycling of electrical items purchased in Ireland. The WEEE directive, introduced in August 2006, states that all electrical items must be recycled, rather than taken to landfill. Please arrange to take this appliance to your local Civic Amenity site for recycling, once it has reached the end of its life.



## SWAN BRAND HERITAGE



## Did you know...

In 1933 most homes were heating their irons over the gas ring or still putting hot coal in them. This Swan iron was basically a n element with a handle, which plugged straight into a light bulb socket. And at a mere 1 4 s hillings (70p), it meant many households could own a prestigious Swan Product.





## NOTES

Affix your store receipt to this page





[www.swan-brand.co.uk](http://www.swan-brand.co.uk)



Scan this QR code  
to hear about  
our story



We love  
what we do



we're proud  
of our quality



Find us on Facebook

\* on selected products

Copyright © Swan Products Ltd.  
PO Box 3117, Stoke-on-Trent ST4 9GD

